

ULTRA™ SERIES

C650

Fiberglass Windows
& Patio Doors

Architectural
Manual



Instructions on how to use this manual:

This document has been designed for easy navigation and to quickly click to the section you need. Here's some important tips on using this document:

- Any item print in **red**, will click through to the corresponding item.
- Click to any item in the Table of Contents on **page 3**. Click on the Milgard logo at the top of any page to return to the Table of Contents - FULL MANUAL ONLY.
- From each section's Quick Links page, click to any Drawing listed.
- From any Drawing page, click the "Go Back to Quick Links" box on the bottom right of the page to return to the list of drawings.
- Click on the links on the bottom of the page to go to Revit, SketchUp . PDF and .DWG files. Please note that you must have internet access for these links and you will be re-directed to the Milgard site.
- This document can also be navigated from Adobe Acrobat Bookmarks.

Revit, SketchUp, .PDF and .DWG files can be accessed
at **milgard.com** or clicking here:

[Technical Resources](#)

New Construction vs. Retrofit _____	4	Picture and Radius Window _____	27
Components _____	4	Configurations _____	28
Available Operating Styles _____	4	Minimum/Maximum Sizes _____	28
Feature/Benefit Snapshot _____	4	Configurations _____	29
Frame Specifications _____	5	Minimum/Maximum Sizes _____	29
Wood Jamb Extensions _____	5	Configurations _____	30
Nail-On Fin _____	5	Minimum/Maximum Sizes _____	30
Other Components _____	6	Drawings - Quick Links _____	31
Glazing Material _____	6	Picture Window _____	32
Glass _____	6	Awning Window _____	42
Weatherstripping _____	6	Configurations _____	43
Roller Assembly _____	6	Minimum/Maximum Sizes _____	43
Balancer Assembly _____	6	Drawings - Quick Links _____	44
Locking Assembly _____	6	Awning Window _____	45
Weep System _____	6	Casement Window _____	50
Vent Panel _____	6	Configurations _____	51
Screens _____	6	Minimum/Maximum Sizes _____	51
Sizing _____	6	Drawings - Quick Links _____	52
Options _____	7	Casement Window _____	53
Grids _____	7	Bay & Bow Window _____	58
Brickmould _____	7	Configurations _____	59
Hardware _____	7	Minimum/Maximum Sizes _____	59
Energy Packages _____	7	Drawings - Quick Links _____	60
Warranty _____	7	Bay Window Drawings _____	61
Window Hardware _____	8	Installation _____	61
Door Hardware _____	9	Support _____	61
Frame Colors _____	10	Bow Window Drawings _____	64
Grids _____	11	Sliding Patio Doors _____	67
Warranty _____	12	Configurations _____	68
Horizontal Sliding Window _____	13	Minimum/Maximum Sizes _____	68
Configurations _____	14	Other _____	68
Minimum/Maximum Sizes _____	14	Drawings - Quick Links _____	69
Drawings - Quick Links _____	15	French Rail Sliding Patio Door _____	70
Horizontal Sliding Window _____	16	Swing Patio Doors _____	95
Single Hung Window _____	20	Configurations _____	96
Configurations _____	21	Minimum/Maximum Sizes _____	96
Minimum/Maximum Sizes _____	21	Other _____	96
Drawings - Quick Links _____	22	Drawings - Quick Links _____	97
Single Hung Window _____	23	In-Swing Patio Door _____	98
		Out-Swing Patio Door _____	118

About Ultra™ Series | C650

Fiberglass itself is nothing new. It's been floating boats and adding strength to ladders for years. But until recently, the complex profiles required for window and door designs have been impossible to attain with fiberglass.

Milgard's research and design team faced this challenge and engineered a window and door system that's impervious to water, cold, heat, insects, salt air and ultraviolet rays. The end result: efficient windows and doors that maintain their beauty in every season, in any climate.

New Construction vs. Retrofit

Ultra Series can be used for new construction or retrofit applications as it offers block frame and Z-bar frames in addition to nail fins.

Screens

Ultra Series comes with standard screens or PureView® premium mesh screens with a pull rail frame as an upgrade option.

Warranty

Ultra Series comes standard with the Lifetime Limited Warranty. For complete warranty details, visit milgard.com/warranty.

Components

Available Operating Styles

Find frame styles for each operating style:

Awning

Fixed Awning

Casement

Fixed Casement

Horizontal Sliding

Single Hung

Picture/Radius

Bay/Bow

Sliding Patio Door

Swing Patio Door

Feature/Benefit Snapshot

Fiberglass: A structural material with superior strength and thermal performance characteristics, ideal for intricate window and door frame profiles. So durable, we use diamond-tipped saw blades to cut our frame stock. Frame stock is produced using a process known as pultrusion. Glass rovings and mats are pulled at tremendous forces through a resin bath and a series of dies. These materials combine and catalyze to provide unparalleled tensile and torsional strength.

- Up to 3 times stronger than wood; up to 8 times stronger than vinyl.

- Minimal thermal expansion/contraction across large temperature extremes – matches movement of glass, relieving virtually all stresses on the glazing unit to protect glazing seals and ensure smooth operation.
- Dark colors do not cause adverse frame movement – perfect for projects calling for even black exterior frame color.
- Wet-glazed silicone sealant glazing method for superior, permanent weather seal.
- No swelling, cracking, binding, twisting or rotting like wood.
- Milgard EdgeGardMax™ insulating glass units come standard on all fiberglass windows and doors.
- 7/8" thick glazing unit – ASTM E-774-81 Class A rating – sealed with long-life butyl sealant.
- Every order is custom built – at standard lead times. Perfect for replacement applications, with dimensions accepted down to 1/16" increments.
- Incredible frame strength provides light commercial and commercial structural ratings – making fiberglass windows and doors suitable in many commercial project applications.
- Multiple hardware finishes to choose from in both the window and door line.
- Window and window/door configurations are factory muller for ease of field installation – large sizes ship open for field glazing where weight and safety is a factor.

- Numerous glass options available – including tempered, obscures, tints, laminated, etc.
- All operating hardware utilizes top-quality components and fasteners.
- Fiberglass doors use multi-point locking hardware to provide enhanced security.

Ultra Series windows and patio doors face the elements with a sturdy pultruded fiberglass frame that won't warp, rot, swell, peel or mildew. The frame makes your windows stronger and more resistant to impact and settling. It's strong like aluminum, energy efficient as wood and low maintenance as vinyl.

Frame Specifications

From inside of frame to nail flange is 2-7/8", and from outside of window frame to include nail fin is 1-3/8", to give you a 4-1/4" overall frame depth.

Joined frame and liners are available in standard widths of 4-9/16" or 6-9/16" for standard wall construction. Other custom widths are also available, subject to engineering review.

Wood Jamb Extensions

Wood jamb extensions are an optional feature with Ultra fiberglass windows and are available in both clear solid wood, wood with a premium veneer applied or preprimed finger jointed wood.

Nail-On Fin

A 1-1/4" pre-punched, flexible nail flange extends around the perimeter frame, securing the window in rough openings. The 3110U Series is available without nailing fin or with Z-Bar flush fin retrofit trim for use as a replacement window.

Other Components

Glazing Material

Wet-glazed silicone sealant adheres glass in place, which seals and cushions the glass. Rigid vinyl setting blocks are used to support the unit above the sill, preventing glass slippage and glass-to-frame contact. Pultruded fiberglass glazing (snap-in) bead is applied around the exterior edge.

Glass

Insulating dual glazed panes, 7/8" in overall thickness, are butyl sealed for energy efficiency, with Milgard SunCoat™ Low-E insulating glass standard in all glazing units.

Weatherstripping

Foam filled seal and silicone-treated, water-repellent polypropylene fin seal weatherstripping provides a durable, weather-tight seal. This weatherstripping is installed around the entire perimeter of the vent panel.

Roller Assembly

Adjustable self-lubricating, wear resistant, dual nylon rollers provide flexible, free-wheeling, smooth and silent operation. Rollers are engineered for reduction of friction and elimination of torque on the ventilator frame.

Balancer Assembly

The ventilator operates on concealed block and tackle balancers, allowing the vent to remain open in any position. The balancer is installed in the jamb on each side of the window.

Locking Assembly

Cam lock or Positive Action™ Lock mechanism may be specified as an option.

Weep System

Primary weep system is located in hollow sill construction. Baffled weep holes drain water from track and help prevent blow-back, or water seeping to the inside caused by a combination of wind and rain. A secondary baffled weep system is located in the pultruded fiberglass glazing bead.

Vent Panel

The ventilator has an "L"-shaped lip that fully interlocks with the vertical meeting rail, adding security and preventing weather penetration. Its roller assembly rides on a monorail track for easy operation and durability. This raised track in the frame sill helps keep the ventilator system free from interference by foreign particles that may collect in the sill.

Screens

Screen frames are cambered aluminum, reinforced with rigid plastic corner clips. Screen frames are available to match the exterior color. Optional PureView fiberglass screen mesh is low visibility, strong, durable and easy to replace. Two pulls located on the screen allow you to install from inside of house.

Sizing

All windows are factory-sized to fit in a framed opening, whether new or created by removing an existing window. Windows will be 1/2" smaller than the framed (rough) opening to allow 1/4" clearance on all sides (tolerance at +/- 1/16"). Built to rough opening size, with 1/2" deductions automatically made, no complex calculations are required for ordering.

Options

Grids

Ultra series windows and doors offer multiple grid configurations from seven different grid options.

Grid patterns placed inside the glazing unit include 5/8" wide flat grids and 1-1/16" wide sculptured pattern grids.

Grid patterns that simulate true divided lites are 1-1/8" Legacy, 1-1/8" Craftsman, 1-1/8" Vintage and 3/4" Vintage. Snap-in wood grids attach to the interior side of the window or door and remove for easy cleaning. (See page 11 for patterns)

Specify requirements for matching grid patterns at the time of order. If match requirements are not specified, the grids may not line up with those in another size or series of window.

Unless otherwise specified, the grids will divide the window equally, with the bars set between 8-3/4" and 12" apart. A 4'0" x 3'0" picture window would be four squares wide by three squares high. A 4'0" x 3'0" single-hung would be four wide x four high because of the intermediate horizontal bar.

Brickmould

A 2" wide x 1-1/2" thick factory-primed wood brickmould trim is an available option for a finished exterior appearance.

Hardware

Hardware is available in both painted and metal finishes. (See pages 8-9)

Energy Packages

Milgard adheres to ENERGY STAR® v6 requirements to meet or exceed U-Factor and Solar Heat Gain

Coefficient (SHGC) criteria for all ENERGY STAR® zones.

Milgard also offers high energy performance options for the ultimate in energy efficiency. Energy efficient windows could include one or more of the following features based on your climate.

- SunCoat® or SunCoatMAX®
- EdgeGardMAX®
- Argon
- 4th Surface

For more details on Milgard Energy Efficient packages, visit www.milgard.com/learn/energy-efficiency/energy-efficient-components

To check the energy performance of all Milgard windows and doors, use our Energy Calculator at:

milgard.com/energy-calculator

Warranty

With Ultra Series, you're covered for as long as you own your home with our Lifetime Limited Warranty.

For complete warranty details, visit milgard.com/warranty.

Caution: The use of petroleum based fuels or solvents as release agents in stucco wall installations or glass cleaning will chemically attack materials used in seals and other components, and voids the Milgard Warranty. The use of wax-based release agents is recommended.

Expanding foam for insulation purposes should not be used. Backer rod or loose packed fiberglass bat insulation is recommended.

Window Hardware

Our window hardware is attractive, durable, secure and easy to operate. All hardware is available in these styles and your choice of finishes.

Single Hung and Horizontal Slider



Your choice of Positive Action™ Lock (left) shown in White or Cam Lock (right) shown in Black

Casement and Awning



Nesting Operator shown in White

Sash lock shown in Brushed Chrome

Window Hardware Finishes

White

Clay

Dark Bronze

Brushed Chrome

Satin Nickel

Black

(Casement and awning only)

Door Hardware

Swing Door Handles (interior & exterior)

Sliding Door Handles (interior & exterior)



Sidelite Handle

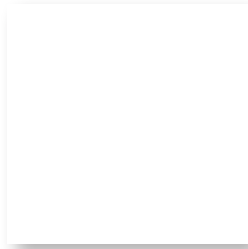


Door Hardware Finishes

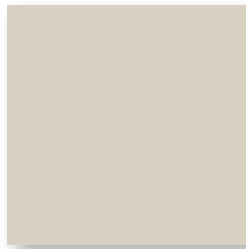


Frame Colors

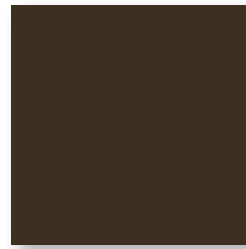
Exterior Frame Colors - Choose white or color-matched interiors



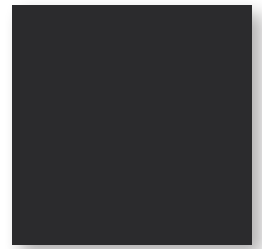
Frost



Harmony



Bark



Black Bean

Colors shown are approximate due to printing limitations.

Grids

Express your creativity and dramatically increase curb appeal with our virtually endless grid options. Choose flat or sculptured grids inside our insulated glass units for easy cleaning.



Flat Grid



Craftsman



1-1/8" Vintage



Sculptured



Legacy



3/4" Vintage

Warranty

We have a dedication to quality and build our windows and patio doors to last. With Ultra™ Series, you're covered for as long as you own your home with our Lifetime Limited Warranty.

For complete warranty details, visit milgard.com/warranty.

Why Milgard?

Quality

Milgard offers award-winning windows and patio doors built for long-lasting comfort. For over 50 years, industry experts have consistently recognized Milgard as a trusted brand. By producing our vinyl and fiberglass frame materials in-house, we can more closely monitor for quality control. Milgard windows and patio doors stand up, while standing out.

Experience

Since 1962, Milgard Windows & Doors has designed and assembled superior, top quality windows and patio doors. Milgard engineers are known for their industry-leading designs using patented technologies. Whatever your project calls for, Milgard has the right product that can beautifully reflect your vision. From new construction to home remodeling, all Milgard windows and doors are custom made to your exact specifications.

Service

We serve the Western U.S. and Canada with a dozen full-service facilities and customer care centers. Our belief is that by being close to our customers, we can provide them better service.

Horizontal Sliding Window



Ultra™ Series horizontal sliding window is designed as an inside slider (the sliding panel, or “vent,” slides inside the stationary panel). Horizontal sliding windows can be used alone or in combination units with radius, gable or picture windows for vent below and vent above configurations.

Ultra Series fiberglass windows and doors offer outstanding insulating properties and low maintenance, plus they stand up to weather, insects, and ultraviolet rays, and maintain their beauty through every season. The windows will maintain their color and shape and can be constructed to your exact size specifications, subject to engineering review. All Milgard Ultra Series windows are made to order at no additional charge.

Please also see:

[Horizontal Sliding Hardware](#)

[Frame Colors](#)

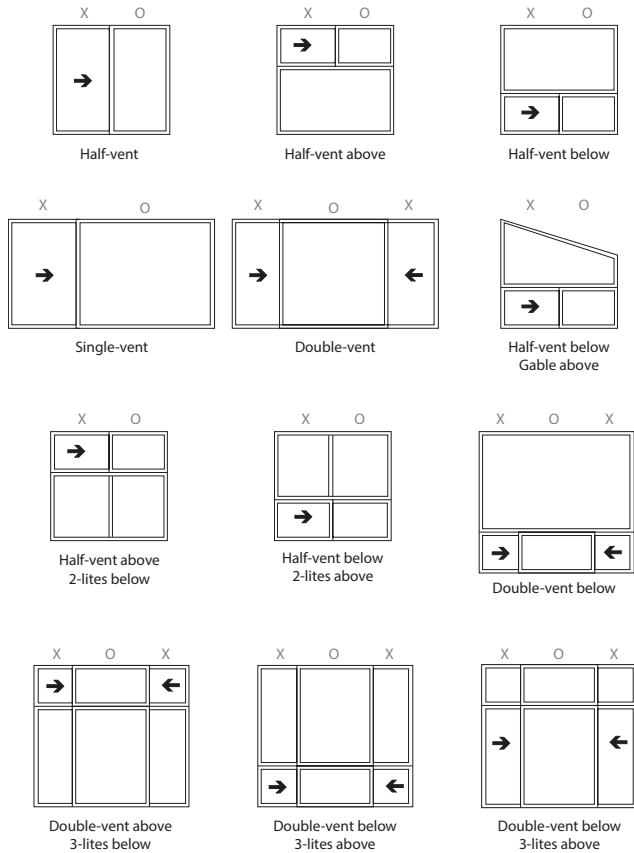
[Lifetime Limited Warranty](#)

[Energy Packages](#)

[Accessories](#)

Horizontal Sliding Window

Configurations



Minimum/Maximum Sizes

HALF-VENT

– Min 2⁰1⁴ Max 6⁰6⁰

HALF-VENT ABOVE

– Min 2⁰2⁴ Max 6⁰6⁰

HALF-VENT BELOW

– Min 2⁰2⁴ Max 6⁰6⁰

DOUBLE-VENT

– Min 5⁰1⁴ Max 12⁰6⁰

DOUBLE-VENT BELOW

– Min 4⁰3⁰ Max 8⁰6⁰

DOUBLE-VENT ABOVE

– Min 4⁰3⁰ Max 8⁰6⁰

HALF-VENT BELOW GABLE

– Min 2⁰2⁴ Max 6⁰8⁰

HALF-VENT ABOVE 2-LITES

– Min 2⁰2⁴ Max 6⁰6⁰

HALF-VENT BELOW 2-LITES

– Min 2⁰2⁴ Max 6⁰6⁰

DOUBLE-VENT BELOW

– Min 5⁰2⁴ Max 8⁰6⁰

DOUBLE-VENT ABOVE

– Min 5⁰2⁴ Max 8⁰6⁰

DOUBLE-VENT BELOW 3-LITES

– Min 5⁰2⁴ Max 8⁰6⁰

DOUBLE-VENT ABOVE 3-LITES

– Min 5⁰2⁴ Max 8⁰6⁰

Minimum egress for half-vent is 4⁰4⁰

Minimum egress for double-vent is 8⁰3⁶ with a 24" vent.

NOTE: For engineering approval contact your Milgard representative for any configuration over 40 square feet. Each Milgard Manufacturing plant reserves the right to alter or change sizes and configurations according to location capabilities. Ask your Milgard rep about specialty applications. Windows over 40 square feet shipped open for field glazing. Varies by location.

Not all frame styles available at all Milgard locations. Contact your Milgard Representative for more information.

Drawings - Quick Links

Horizontal Sliding Window

17—1-3/8" Fin Setback

18—1" Fin Setback

19—1-3/4" Setback with Contour Z-bar

20—2-1/4" Setback with Contour Z-Bar

Revit, SketchUp, .PDF and .DWG files can be accessed at
milgard.com/professionals/technical-resources

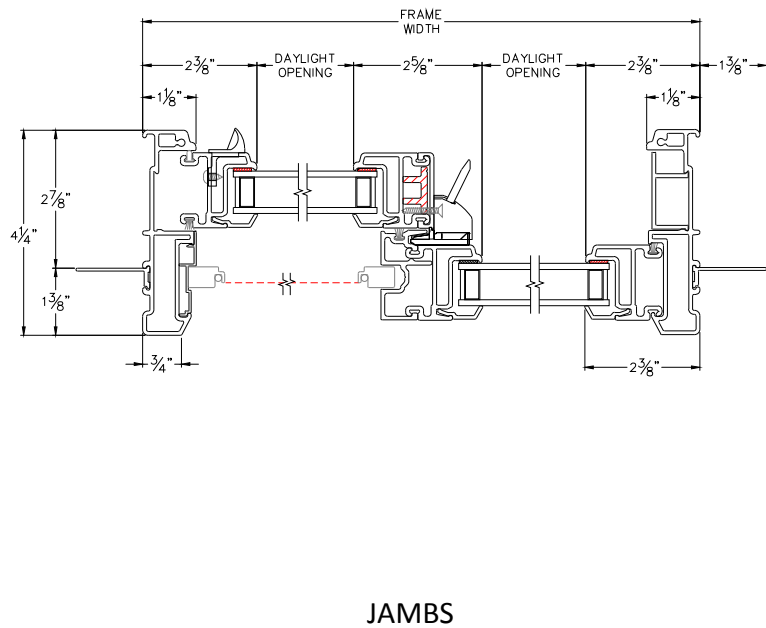
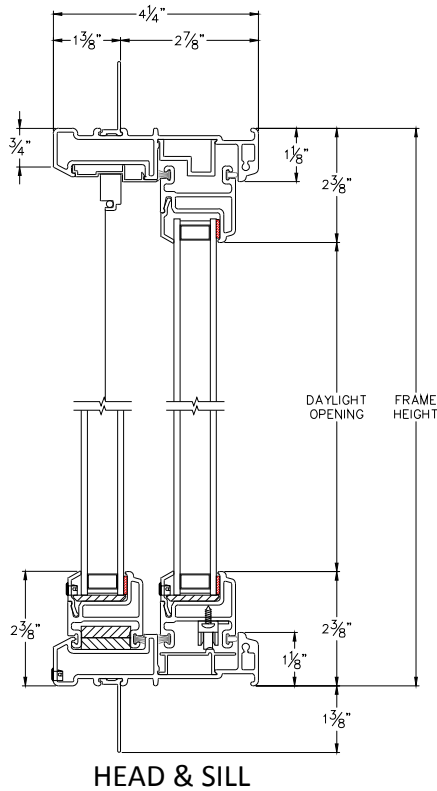
Horizontal Sliding Window

1-3/8" Fin Setback

CAD File Scale	View	File Name	Units
NTS	Horizontal & Vertical	3110U-02 HS	Inch

More Technical Documents can be found at milgard.com/professionals
Due to continual research and development, details may be changed at any time. ©2013 Milgard Mfg.

HORIZONTAL SLIDER SERIES 3110



Revit, SketchUp, .PDF and .DWG files can be accessed at milgard.com/professionals/technical-resources

[Go back to Quick Links](#)

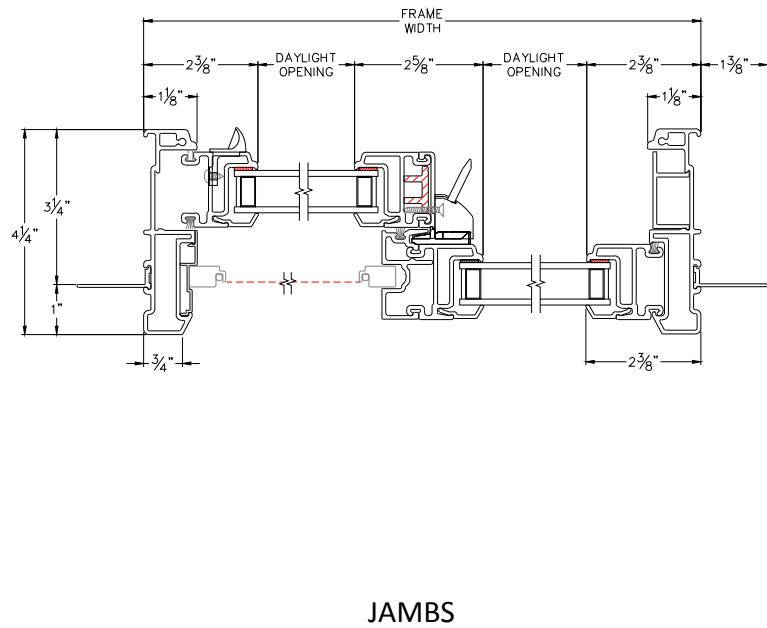
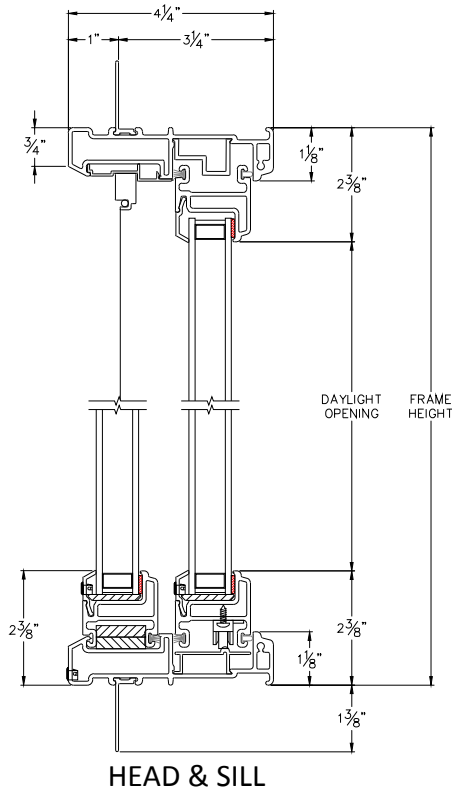
Horizontal Sliding Window

1" Fin Setback

CAD File Scale	View	File Name	Units
NTS	Horizontal & Vertical	3110U-03 HS	Inch

More Technical Documents can be found at milgard.com/professionals
Due to continual research and development, details may be changed at any time. ©2013 Milgard Mfg.

HORIZONTAL SLIDER SERIES 3110



Revit, SketchUp, .PDF and .DWG files can be accessed at milgard.com/professionals/technical-resources

[Go back to Quick Links](#)

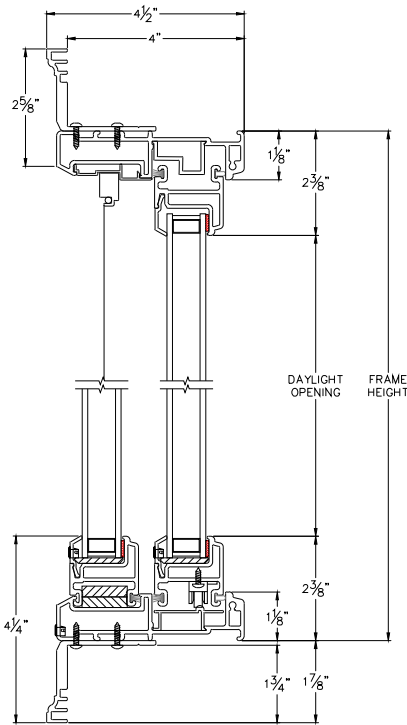
Horizontal Sliding Window

1-3/4" Setback with Contour Z-bar

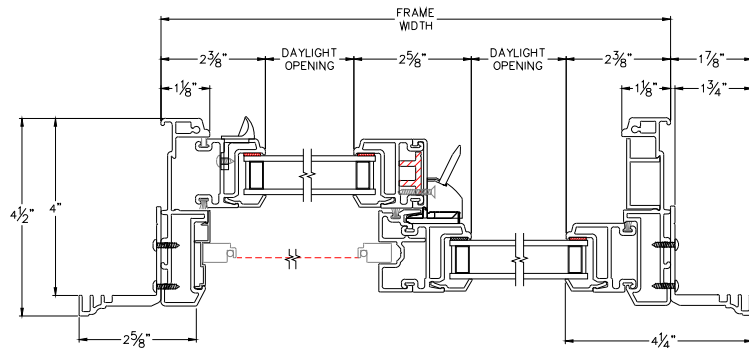
CAD File Scale	View	File Name	Units
NTS	Horizontal & Vertical	3110U-04 HS	Inch

More Technical Documents can be found at milgard.com/professionals
Due to continual research and development, details may be changed at any time. ©2013 Milgard Mfg.

HORIZONTAL SLIDER SERIES 3110



HEAD & SILL



JAMBS

Revit, SketchUp, .PDF and .DWG files can be accessed at milgard.com/professionals/technical-resources

[Go back to Quick Links](#)

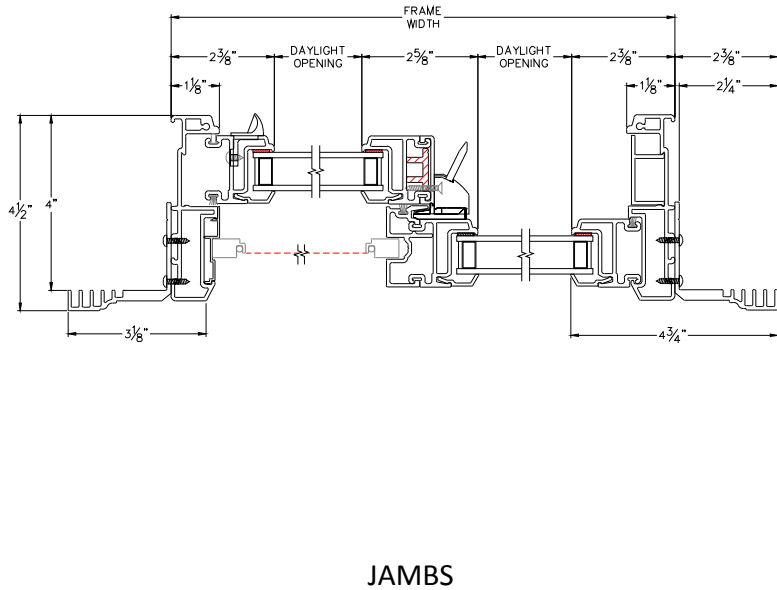
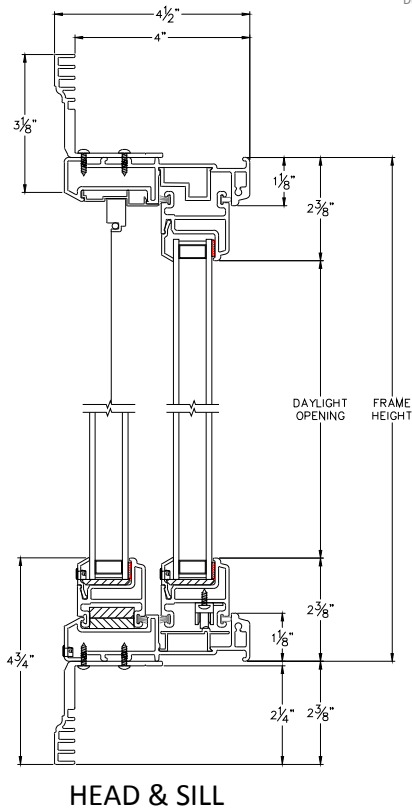
Horizontal Sliding Window

2-1/4" Setback with Contour Z-Bar

CAD File Scale	View	File Name	Units
NTS	Horizontal & Vertical	3110U-05 HS	Inch

More Technical Documents can be found at milgard.com/professionals
Due to continual research and development, details may be changed at any time. ©2013 Milgard Mfg.

HORIZONTAL SLIDER SERIES 3110



Revit, SketchUp, .PDF and .DWG files can be accessed at
milgard.com/professionals/technical-resources

[Go back to Quick Links](#)

Single Hung Window



Ultra™ Series single hung window, the bottom sash slides upward—the top sash is permanently fixed. They can be ordered as individual windows, in double or triple wide combinations or even with a center fixed lite.

Ultra Series fiberglass windows and doors offer outstanding insulating properties and low maintenance, plus they stand up to weather, insects, and ultraviolet rays, and maintain their beauty through every season. The windows will maintain their color and shape and can be constructed to your exact size specifications, subject to engineering review. All Milgard Ultra Series windows are made to order at no additional charge.

Please also see:

[Single Hung Hardware](#)

[Frame Colors](#)

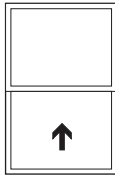
[Lifetime Limited Warranty](#)

[Energy Packages](#)

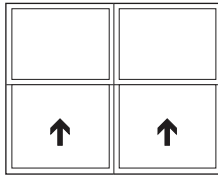
[Accessories](#)

Single Hung Window

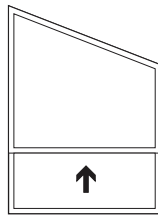
Configurations



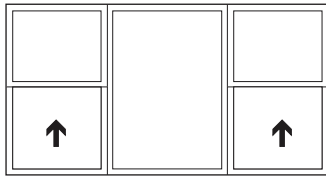
Single Hung



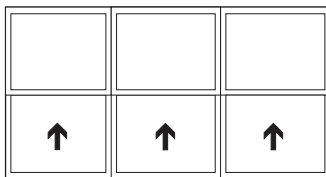
Double Single Hung



Gable Top Single Hung



Double Single Hung/Center Lite



Triple Single Hung

Minimum/Maximum Sizes

SINGLE-HUNG

- Min 1⁶2⁶ Max 4⁰7⁶

DOUBLE SINGLE-HUNG

- Min 3⁰2⁶ Max 8⁰7⁶

DOUBLE SINGLE-HUNG with PICTURE

- Min 4⁰2⁶ Max 12⁰7⁶

TRIPLE SINGLE-HUNG

- Min 4⁶2⁶ Max 9⁰7⁰

Minimum egress is 3⁰5⁰ with a 30" bar set or 2⁶6⁰ with a 36" bar set.

NOTE: For engineering approval contact your Milgard representative for any configuration over 40 square feet. Each Milgard Manufacturing plant reserves the right to alter or change sizes and configurations according to location capabilities. Ask your Milgard rep about specialty applications. Windows over 40 square feet shipped open for field glazing. Varies by location.

Not all frame styles available at all Milgard locations. Contact your Milgard Representative for more information.

Drawings - Quick Links

Single Hung Window

28—1-3/8" Fin Setback

29—1" Fin Setback

30—1-3/4" Contour Z-Bar

31—2-1/4" Contour Z-Bar

Revit, SketchUp, .PDF and .DWG files can be accessed at
[milgard.com/professionals/technical-resources](https://www.milgard.com/professionals/technical-resources)

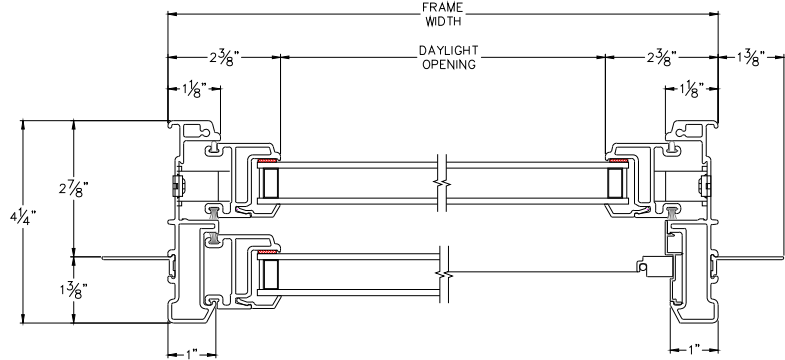
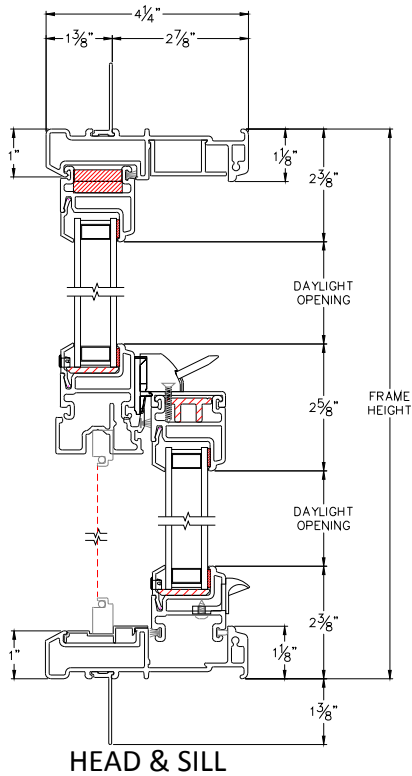
Single Hung Window

1-3/8" Fin Setback

CAD File Scale	View	File Name	Units
NTS	Horizontal & Vertical	3210U-02 SH	Inch

More Technical Documents can be found at milgard.com/professionals
Due to continual research and development, details may be changed at any time. ©2013 Milgard Mfg.

SINGLE HUNG SERIES 3210



JAMBS

Revit, SketchUp, .PDF and .DWG files can be accessed at milgard.com/professionals/technical-resources

[Go back to Quick Links](#)

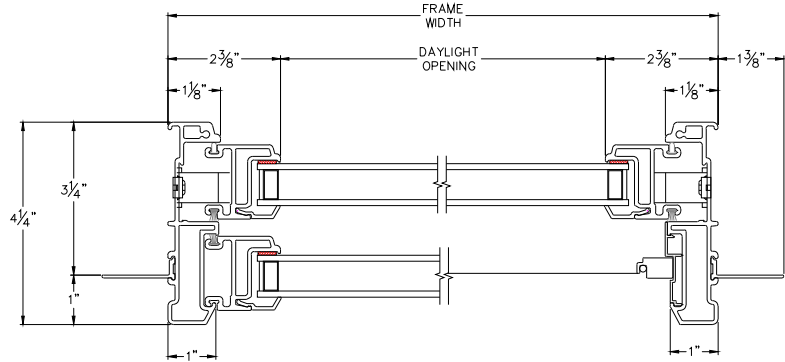
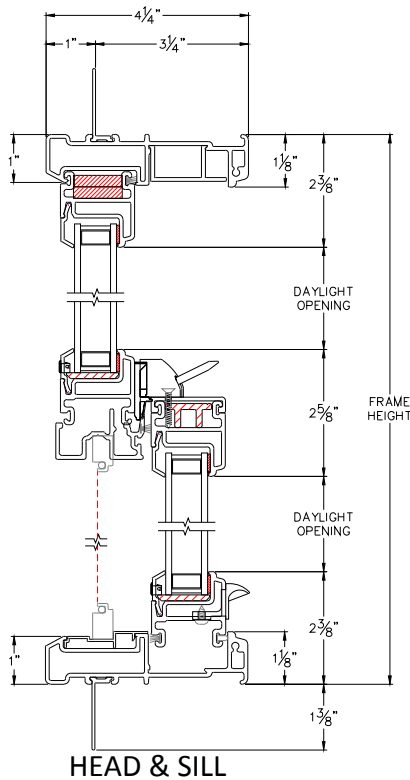
Single Hung Window

1" Fin Setback

CAD File Scale	View	File Name	Units
NTS	Horizontal & Vertical	3210U-03 SH	Inch

More Technical Documents can be found at milgard.com/professionals
Due to continual research and development, details may be changed at any time. ©2013 Milgard Mfg.

SINGLE HUNG SERIES 3210



Revit, SketchUp, .PDF and .DWG files can be accessed at milgard.com/professionals/technical-resources

[Go back to Quick Links](#)

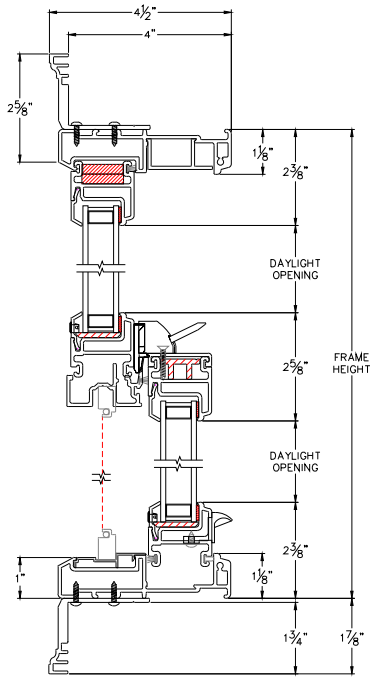
Single Hung Window

1-3/4" Contour Z-Bar

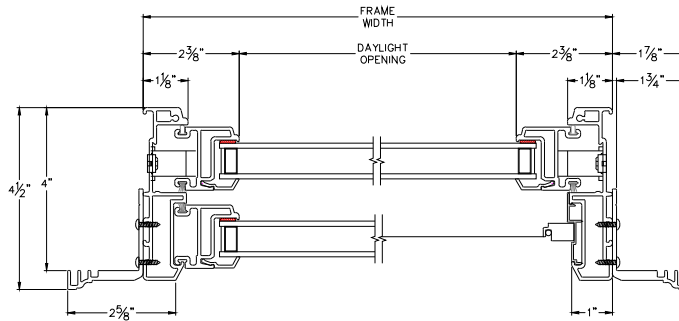
CAD File Scale	View	File Name	Units
NTS	Horizontal & Vertical	3210U-04 SH	Inch

More Technical Documents can be found at milgard.com/professionals
Due to continual research and development, details may be changed at any time. ©2013 Milgard Mfg.

SINGLE HUNG SERIES 3210



HEAD & SILL



JAMBS

Revit, SketchUp, .PDF and .DWG files can be accessed at
milgard.com/professionals/technical-resources

[Go back to Quick Links](#)

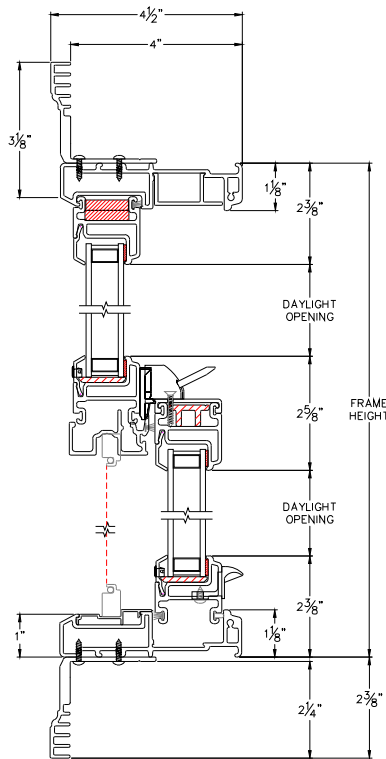
Single Hung Window

2-1/4" Contour Z-Bar

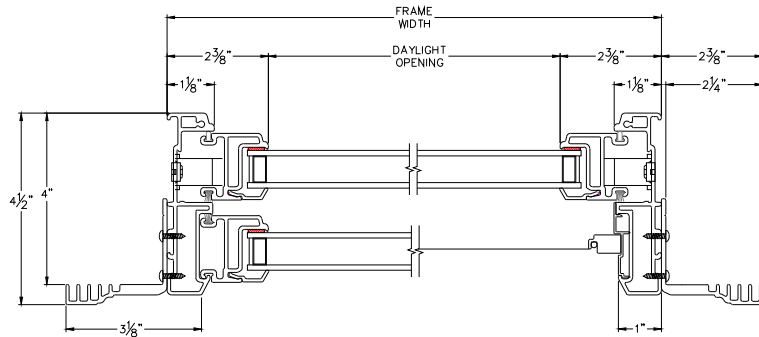
CAD File Scale	View	File Name	Units
NTS	Horizontal & Vertical	3210U-05 SH	Inch

More Technical Documents can be found at milgard.com/professionals
Due to continual research and development, details may be changed at any time. ©2013 Milgard Mfg.

SINGLE HUNG SERIES 3210



HEAD & SILL



JAMBS

Revit, SketchUp, .PDF and .DWG files can be accessed at milgard.com/professionals/technical-resources

[Go back to Quick Links](#)

Picture and Radius Window



Ultra™ Series picture windows can be used alone or in combination units with operable windows for vent below and vent above configurations. They can be ordered as individual windows or combined with picture windows for additional architectural appeal.

Ultra Series fiberglass windows and doors offer outstanding insulating properties and low maintenance, plus they stand up to weather, insects, and ultraviolet rays, and maintain their beauty through every season. The windows will maintain their color and shape and can be constructed to your exact size specifications, subject to engineering review. All Milgard Ultra Series windows are made to order at no additional charge.

Please also see:

[Frame Colors](#)

[Lifetime Limited Warranty](#)

[Energy Packages](#)

[Accessories](#)

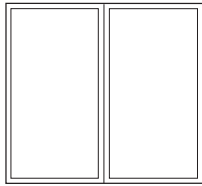


Picture Window

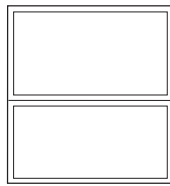
Configurations



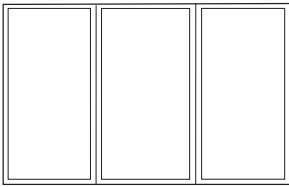
Picture window



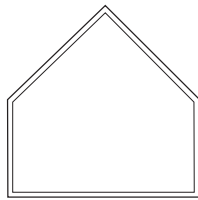
Picture window
2-lites vertical



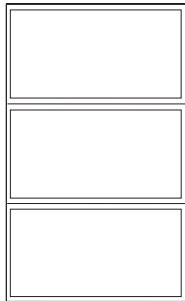
Picture window
2-lites horizontal



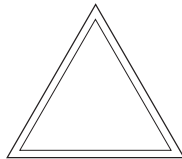
Picture window
3-lites vertical



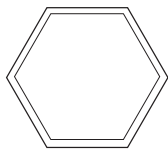
Picture window
gable



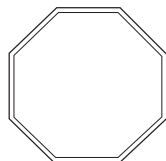
Picture window
3-lites horizontal



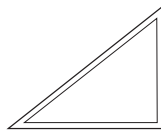
Picture window
gable triangle



Picture window
hexagon



Picture window
octagon



Picture window
gable 3-sided

Minimum/Maximum Sizes

PICTURE WINDOW

- Min 1'0" Max 8'6"

2-LITES VERTICAL

- Min 2'0" Max 8'6"

3-LITES VERTICAL

- Min 3'0" Max 8'6"

3-LITES HORIZONTAL

- Min 1'3" Max 6'8"

GABLE TRIANGLE

- Min 2'0" Max 8'6"

HEXAGON

- Min 2'0" Max 6'6"

OCTAGON

- Min 2'0" Max 6'6"

GABLE 3-SIDED

- Min 1'0" Max 8'6"

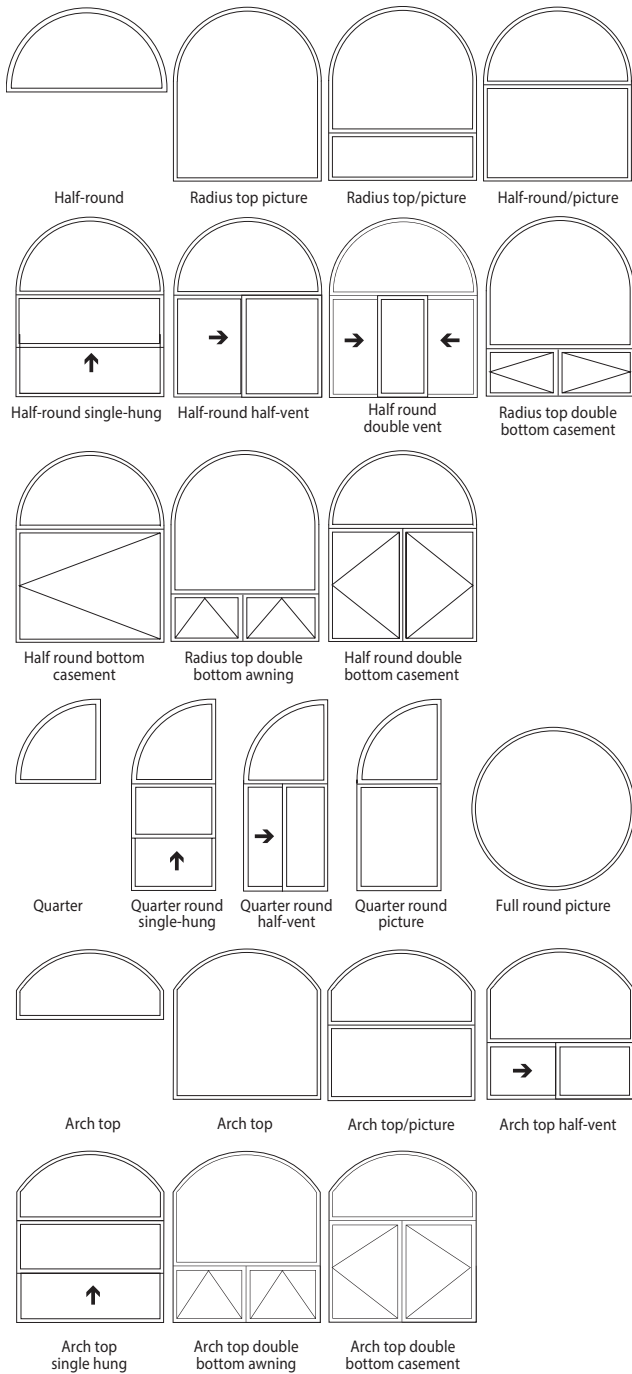
Must specify leg height and center height
(minimum 6" leg height)

NOTE: For engineering approval contact your Milgard representative for any configuration over 40 square feet. Each Milgard Manufacturing plant reserves the right to alter or change sizes and configurations according to location capabilities. Ask your Milgard rep about specialty applications. Windows over 40 square feet shipped open for field glazing. Varies by location.

Not all frame styles available at all Milgard locations. Contact your Milgard Representative for more information.

Radius Window

Configurations



Minimum/Maximum Sizes

RADIUS TOP PICTURE

- Min 3⁰²⁰ Max 8⁰⁵⁰

HALF ROUND

- Min 2⁰¹⁰ Max 8⁰⁴⁰

HALF ROUND/PICTURE

- Min 2⁰²⁰ Max 8⁰⁶⁰

HALF ROUND/SINGLE HUNG

- Min 2⁶³⁶ Max 4⁰⁹⁰

HALF ROUND/HALF VENT

- Min 2⁶²⁹ Max 6⁰⁸⁰

HALF ROUND/DOUBLE VENT

- Min 5⁰³¹⁰ Max 6⁰⁸⁰

HALF ROUND/DOUBLE BOTTOM CASEMENT

(refer to casement/awning section for maximum vent size)

- Min 3⁰³⁶ Max 6⁰⁸⁰

RADIUS TOP/DOUBLE BOTTOM CASEMENT

(refer to casement/awning section for maximum vent size)

- Min 3⁰⁴⁰ Max 6⁰⁸⁰

RADIUS TOP/BOTTOM AWNING

(refer to casement/awning section for maximum vent size)

- Min 2⁰³⁰ Max 5⁰⁸⁰

RADIUS TOP/DOUBLE BOTTOM AWNING

(refer to casement/awning section for maximum vent size)

- Min 3²³⁷ Max 6⁰⁸⁰

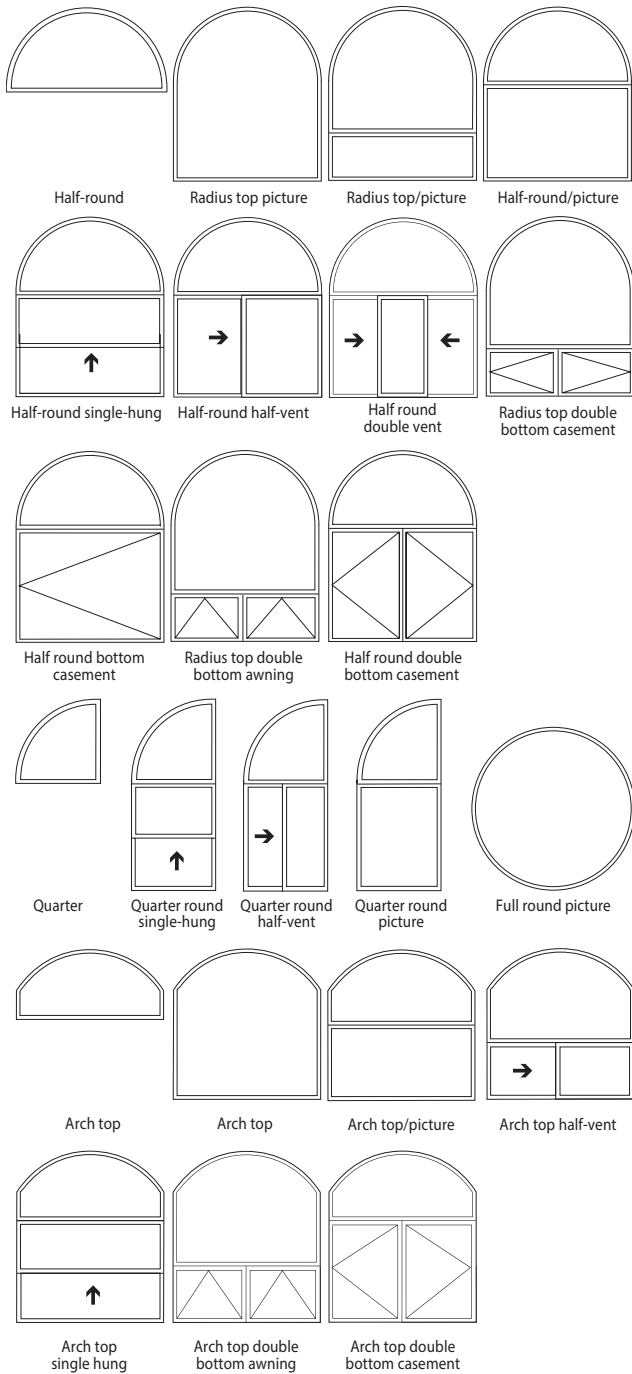
continued on next page

NOTE: For engineering approval contact your Milgard representative for any configuration over 40 square feet. Each Milgard Manufacturing plant reserves the right to alter or change sizes and configurations according to location capabilities. Ask your Milgard rep about specialty applications. Windows over 40 square feet shipped open for field glazing. Varies by location.

Not all frame styles available at all Milgard locations. Contact your Milgard Representative for more information.

Radius Window

Configurations



Minimum/Maximum Sizes

continued from previous page

QUARTER ROUND

- Min 1⁶6⁰ Max 6⁰6⁰

QUARTER ROUND/SINGLE HUNG

- Min 1⁶4⁰ Max 4⁰10⁰

QUARTER ROUND/HALF VENT

- Min 2⁰3⁴ Max 6⁰10⁰

QUARTER ROUND/PICTURE

- Min 1⁶2⁰ Max 6⁰10⁰

FULL ROUND

- Min 2⁰2⁰ Max 6⁰6⁰

ARCH TOP

- Min 3⁰2⁰ Max 8⁰6⁰

ARCH TOP/PICTURE

- Min 3⁰3⁰ Max 8⁰6⁰

ARCH TOP/HALF VENT

- Min 3⁰3⁴ Max 6⁰10⁰

ARCH TOP/SINGLE HUNG

- Min 3⁰4⁵ Max 4⁰10⁰

ARCH TOP/ DOUBLE BOTTOM AWNING

(refer to casement/awning section for maximum vent size)

- Min 3²3⁷ Max 8⁰6⁰

ARCH TOP/ DOUBLE BOTTOM CASEMENT

(refer to casement/awning section for maximum vent size)

- Min 3⁰4⁰ Max 6⁰10⁰

NOTE: For engineering approval contact your Milgard representative for any configuration over 40 square feet. Each Milgard Manufacturing plant reserves the right to alter or change sizes and configurations according to location capabilities. Ask your Milgard rep about specialty applications. Windows over 40 square feet shipped open for field glazing. Varies by location.

Not all frame styles available at all Milgard locations. Contact your Milgard Representative for more information.

Drawings - Quick Links

Picture Window

37—1-3/8" Fin Setback - Casement Depth

38—1-3/8" Fin Setback - Slider Depth

39—1" Fin Setback - Casement Depth

40—1" Fin Setback - Slider Depth

41—1-3/4" Contour Z-Bar - Casement Depth

42—1-3/4" Contour Z-Bar - Slider Depth

43—2-1/4" Contour Z-Bar - Casement Depth

44—2-1/4" Contour Z-Bar - Slider Depth

45—Block Frame - Casement Depth

46—Block Frame - Slider Depth

Revit, SketchUp, .PDF and .DWG files can be accessed at
milgard.com/professionals/technical-resources

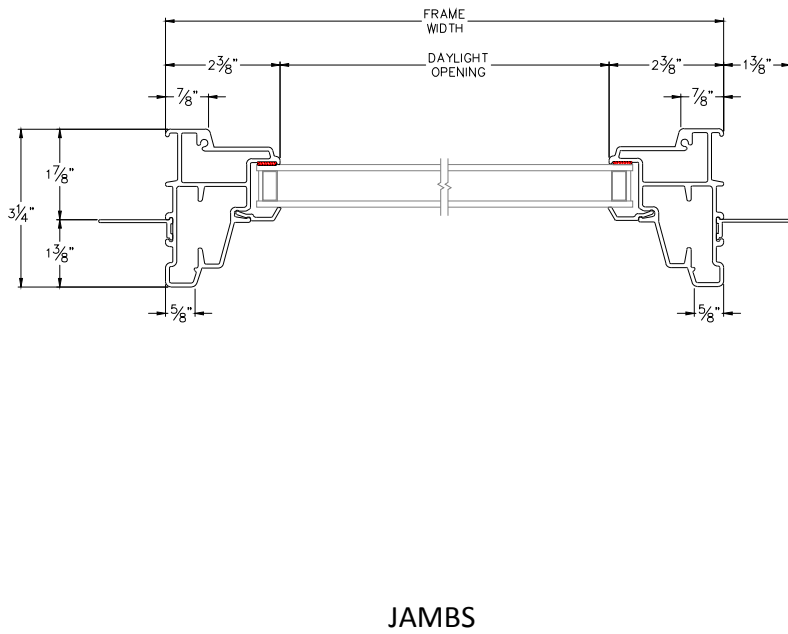
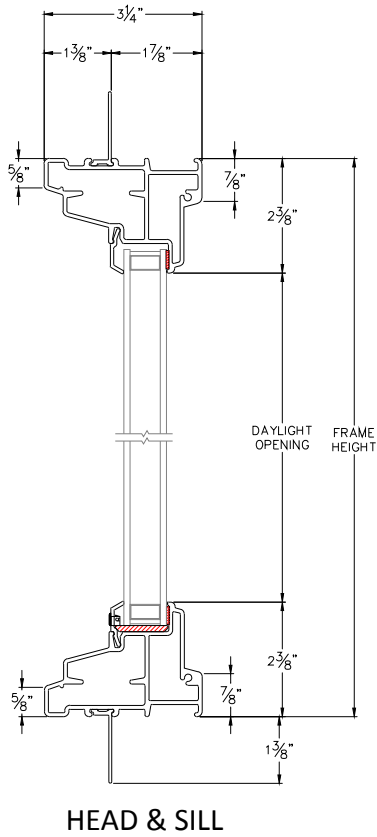
Picture Window

1-3/8" Fin Setback - Casement Depth

CAD File Scale	View	File Name	Units
NTS	Horizontal & Vertical	3310U-02 PW	Inch

More Technical Documents can be found at milgard.com/professionals
Due to continual research and development, details may be changed at any time. ©2013 Milgard Mfg.

PICTURE WINDOW SERIES 3310



Revit, SketchUp, .PDF and .DWG files can be accessed at milgard.com/professionals/technical-resources

[Go back to Quick Links](#)

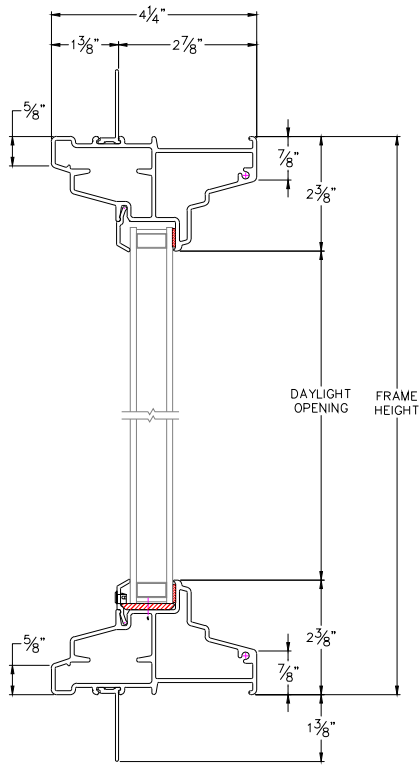
Picture Window

1-3/8" Fin Setback - Slider Depth

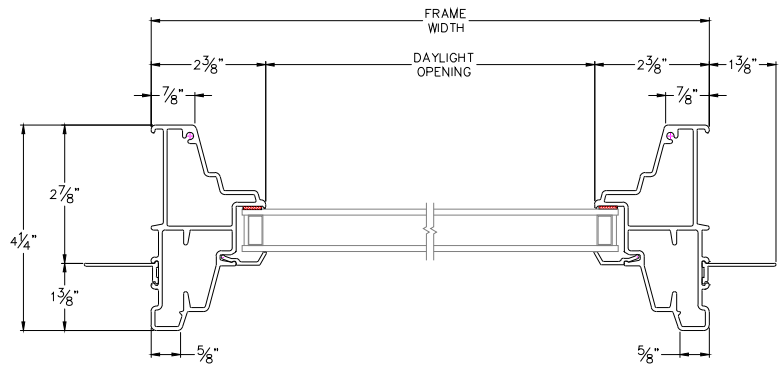
CAD File Scale	View	File Name	Units
NTS	Horizontal & Vertical	3315U-02 PW	Inch

More Technical Documents can be found at milgard.com/professionals
Due to continual research and development, details may be changed at any time. ©2013 Milgard Mfg.

PICTURE WINDOW SERIES 3315



HEAD & SILL



JAMBS

Revit, SketchUp, .PDF and .DWG files can be accessed at
milgard.com/professionals/technical-resources

[Go back to Quick Links](#)

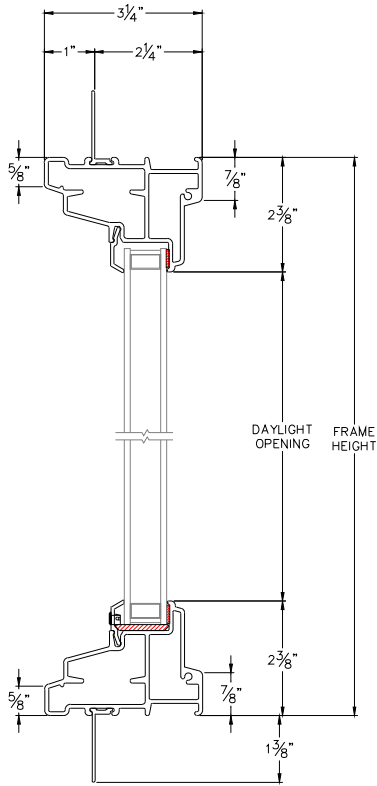
Picture Window

1" Fin Setback - Casement Depth

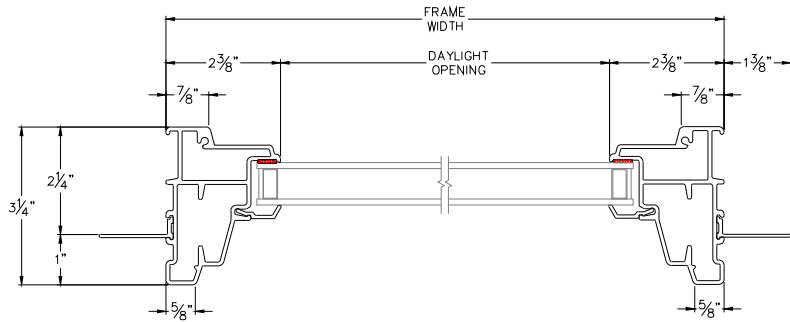
CAD File Scale	View	File Name	Units
NTS	Horizontal & Vertical	3310U-03 PW	Inch

More Technical Documents can be found at milgard.com/professionals
Due to continual research and development, details may be changed at any time. ©2013 Milgard Mfg.

PICTURE WINDOW SERIES 3310



HEAD & SILL



JAMBS

Revit, SketchUp, .PDF and .DWG files can be accessed at
milgard.com/professionals/technical-resources

[Go back to Quick Links](#)

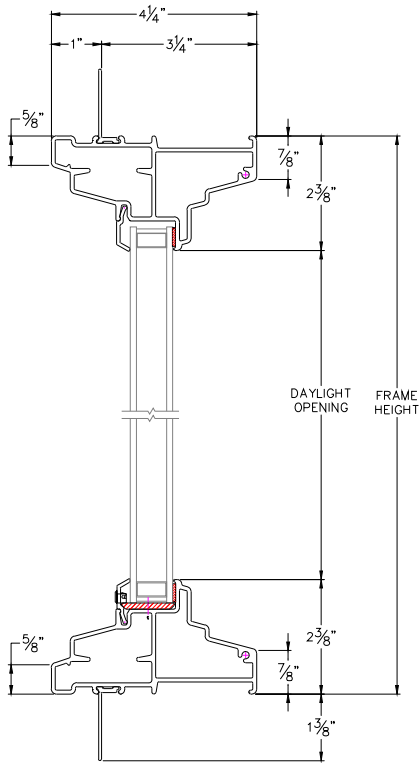
Picture Window

1" Fin Setback - Slider Depth

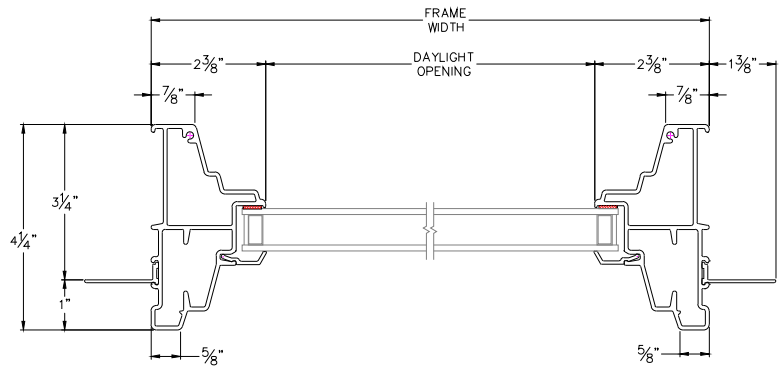
CAD File Scale	View	File Name	Units
NTS	Horizontal & Vertical	3315U-03 PW	Inch

More Technical Documents can be found at milgard.com/professionals
Due to continual research and development, details may be changed at any time. ©2013 Milgard Mfg.

PICTURE WINDOW SERIES 3315



HEAD & SILL



JAMBS

Revit, SketchUp, .PDF and .DWG files can be accessed at milgard.com/professionals/technical-resources

[Go back to Quick Links](#)

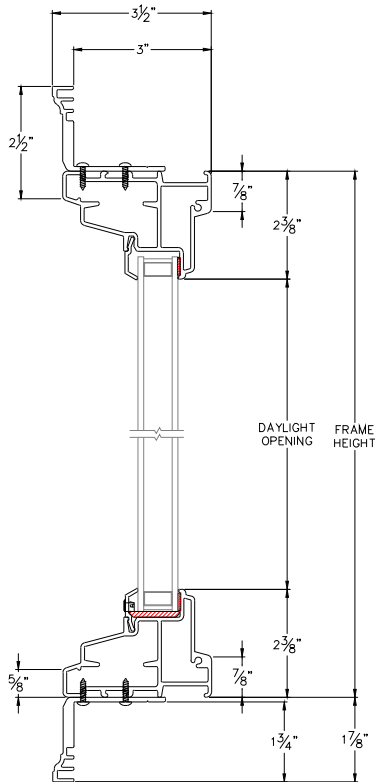
Picture Window

1-3/4" Contour Z-Bar - Casement Depth

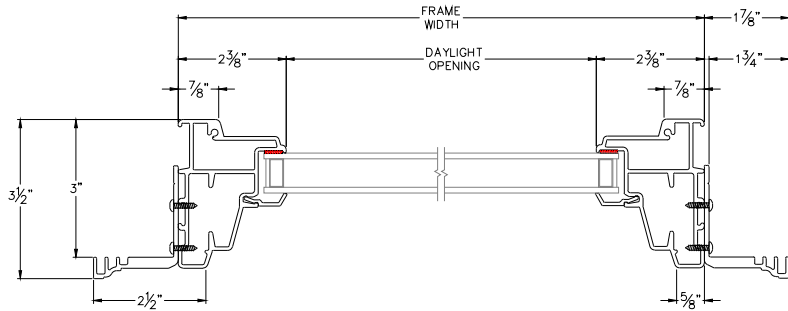
CAD File Scale	View	File Name	Units
NTS	Horizontal & Vertical	3310U-04 PW	Inch

More Technical Documents can be found at milgard.com/professionals
Due to continual research and development, details may be changed at any time. ©2013 Milgard Mfg.

PICTURE WINDOW SERIES 3310



HEAD & SILL



JAMBS

Revit, SketchUp, .PDF and .DWG files can be accessed at
milgard.com/professionals/technical-resources

[Go back to Quick Links](#)

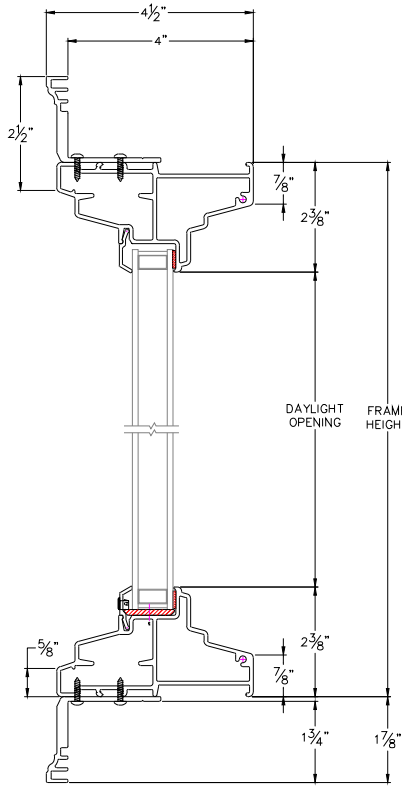
Picture Window

1-3/4" Contour Z-Bar - Slider Depth

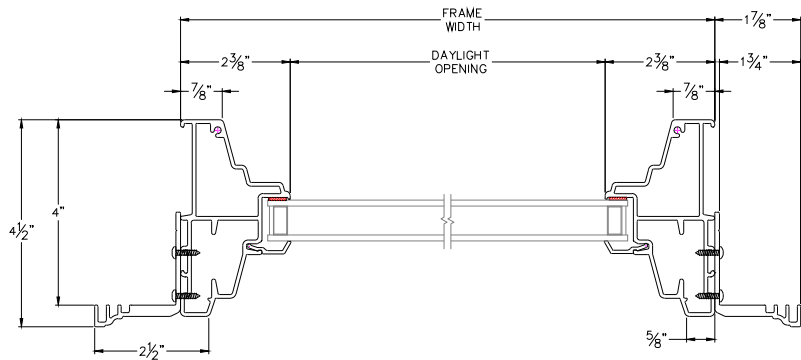
CAD File Scale	View	File Name	Units
NTS	Horizontal & Vertical	3315U-04 PW	Inch

More Technical Documents can be found at milgard.com/professionals
Due to continual research and development, details may be changed at any time. ©2013 Milgard Mfg.

PICTURE WINDOW SERIES 3315



HEAD & SILL



JAMBS

Revit, SketchUp, .PDF and .DWG files can be accessed at
milgard.com/professionals/technical-resources

[Go back to Quick Links](#)

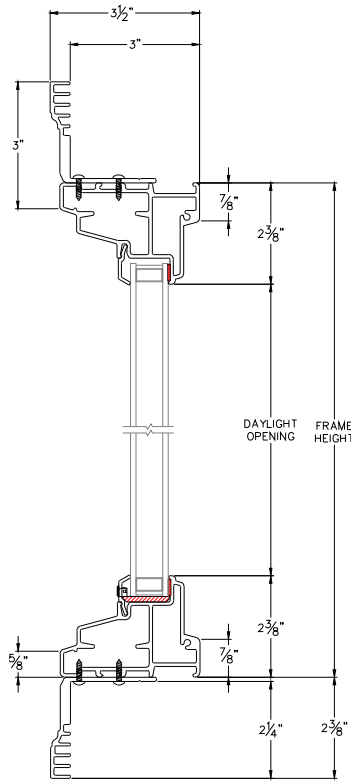
Picture Window

2-1/4" Contour Z-Bar - Casement Depth

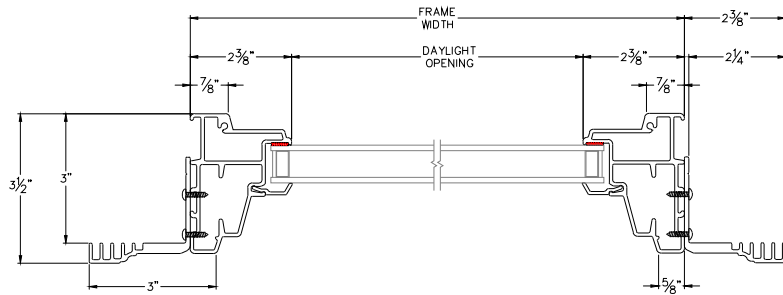
CAD File Scale	View	File Name	Units
NTS	Horizontal & Vertical	3310U-05 PW	Inch

More Technical Documents can be found at milgard.com/professionals
Due to continual research and development, details may be changed at any time. ©2013 Milgard Mfg.

PICTURE WINDOW SERIES 3310



HEAD & SILL



JAMBS

Revit, SketchUp, .PDF and .DWG files can be accessed at milgard.com/professionals/technical-resources

[Go back to Quick Links](#)

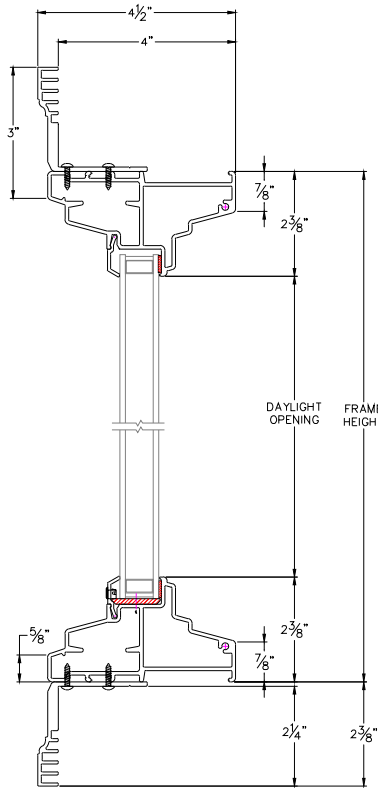
Picture Window

2-1/4" Contour Z-Bar - Slider Depth

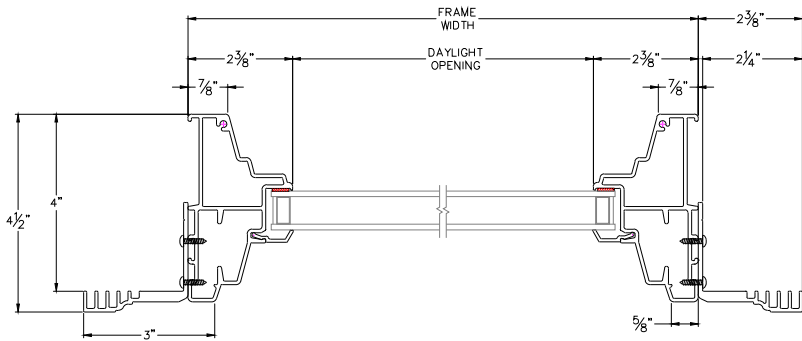
CAD File Scale	View	File Name	Units
NTS	Horizontal & Vertical	3315U-05 PW	Inch

More Technical Documents can be found at milgard.com/professionals
Due to continual research and development, details may be changed at any time. ©2013 Milgard Mfg.

PICTURE WINDOW SERIES 3315



HEAD & SILL



JAMBS

Revit, SketchUp, .PDF and .DWG files can be accessed at milgard.com/professionals/technical-resources

[Go back to Quick Links](#)

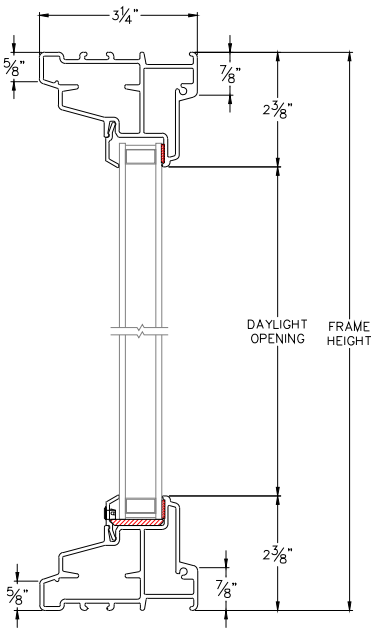
Picture Window

Block Frame - Casement Depth

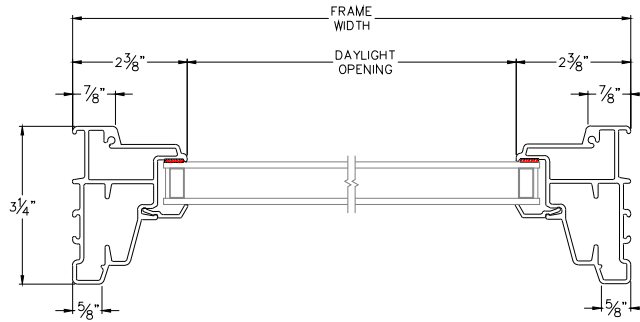
CAD File Scale	View	File Name	Units
NTS	Horizontal & Vertical	3310U-01 PW	Inch

More Technical Documents can be found at milgard.com/professionals
Due to continual research and development, details may be changed at any time. ©2013 Milgard Mfg.

PICTURE WINDOW SERIES 3310



HEAD & SILL



JAMBS

Revit, SketchUp, .PDF and .DWG files can be accessed at milgard.com/professionals/technical-resources

[Go back to Quick Links](#)

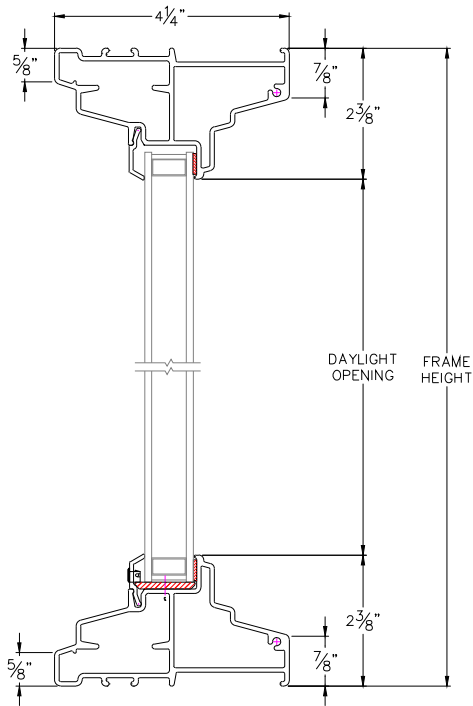
Picture Window

Block Frame - Slider Depth

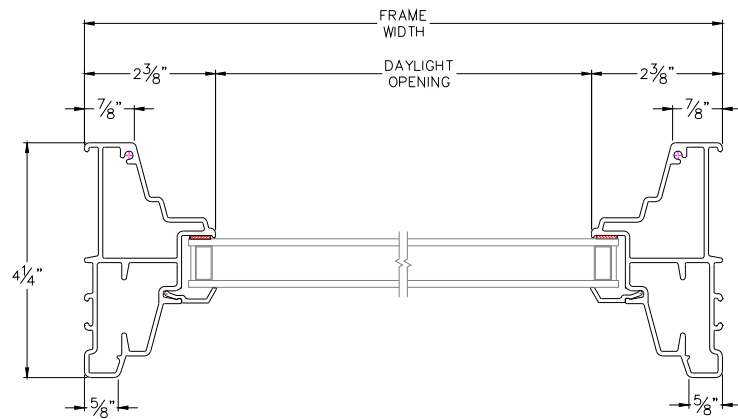
CAD File Scale	View	File Name	Units
NTS	Horizontal & Vertical	3315U-01 PW	Inch

More Technical Documents can be found at milgard.com/professionals
Due to continual research and development, details may be changed at any time. ©2013 Milgard Mfg.

PICTURE WINDOW SERIES 3315



HEAD & SILL



JAMBS

Revit, SketchUp, .PDF and .DWG files can be accessed at
milgard.com/professionals/technical-resources

[Go back to Quick Links](#)

Awning Window



An awning window is a vent that is hinged on the top and swings outward from the bottom. Awning windows can be used alone or in tandem with other series windows for virtually any design specification.

Ultra Series fiberglass windows and doors offer outstanding insulating properties and low maintenance, plus they stand up to weather, insects, and ultraviolet rays, and maintain their beauty through every season. The windows will maintain their color and shape and can be constructed to your exact size specifications, subject to engineering review. All Milgard Ultra Series windows are made to order at no additional charge.



Please also see:

[Awning/Casement Hardware](#)

[Frame Colors](#)

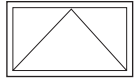
[Lifetime Limited Warranty](#)

[Energy Packages](#)

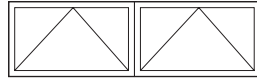
[Accessories](#)

Awning Window

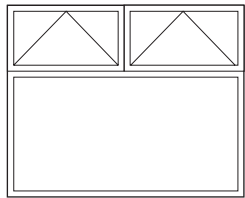
Configurations



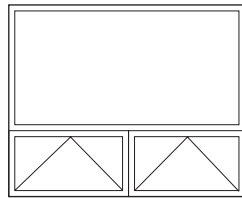
Full Awning



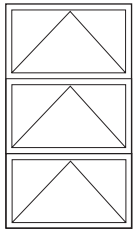
Double Awning



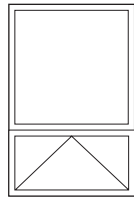
Double-top Awning



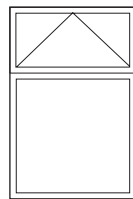
Double-bottom Awning



Triple Awning
vertical



Bottom
Awning



Top
Awning

Minimum/Maximum Sizes

FULL AWNING

- Min 1'7 1/6" Max 5'3"

DOUBLE AWNING

- Min 3'2 1/6" Max 10'3"

TRIPLE AWNING VERTICAL

- Min 1'7 1/6" Max 5'9"

Egress not possible with awning windows

NOTE: For engineering approval contact your Milgard representative for any configuration over 40 square feet. Each Milgard Manufacturing plant reserves the right to alter or change sizes and configurations according to location capabilities. Ask your Milgard rep about specialty applications. Windows over 40 square feet shipped open for field glazing. Varies by location.

Not all frame styles available at all Milgard locations. Contact your Milgard Representative for more information.

Drawings - Quick Links

Awning Window

50—1-3/8" Fin Setback

51—1" Fin Setback

52—1-3/4" Contour Z-Bar

53—2-1/4" Contour Z-Bar

54—Block Frame

Revit, SketchUp, .PDF and .DWG files can be accessed at
milgard.com/professionals/technical-resources

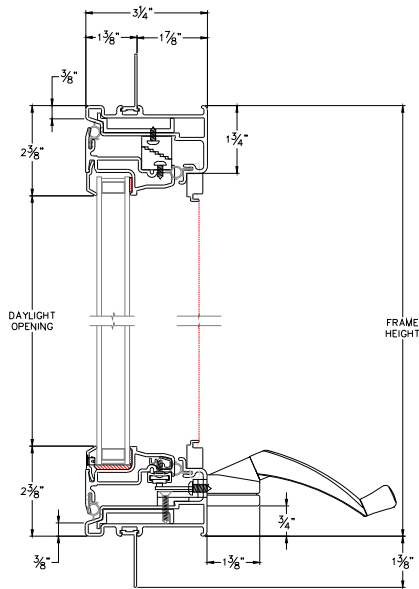
Awning Window

1-3/8" Fin Setback

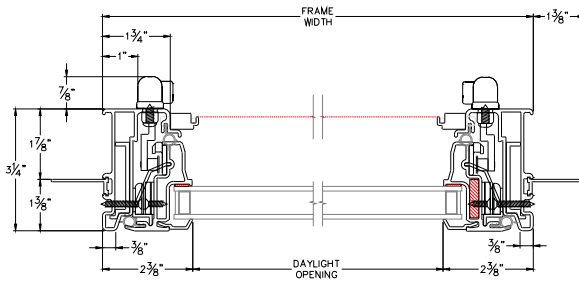
CAD File Scale	View	File Name	Units
NTS	Horizontal & Vertical	3410U-02 FA	Inch

More Technical Documents can be found at milgard.com/professionals
Due to continual research and development, details may be changed at any time. ©2013 Milgard Mfg.

AWNING SERIES 3410



HEAD & SILL



JAMBS

Revit, SketchUp, .PDF and .DWG files can be accessed at milgard.com/professionals/technical-resources

[Go back to Quick Links](#)

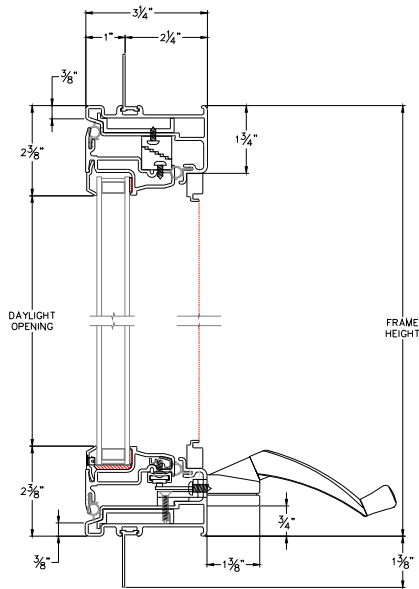
Awning Window

1" Fin Setback

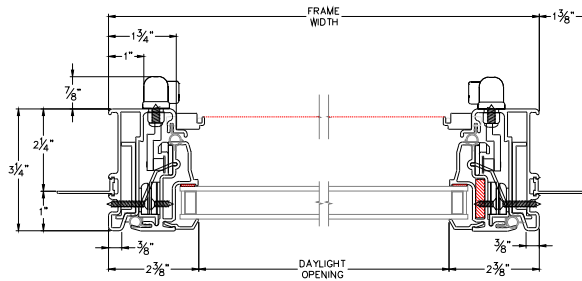
CAD File Scale	View	File Name	Units
NTS	Horizontal & Vertical	3410U-03 FA	Inch

More Technical Documents can be found at milgard.com/professionals
Due to continual research and development, details may be changed at any time. ©2013 Milgard Mfg.

AWNING SERIES 3410



HEAD & SILL



JAMBS

Revit, SketchUp, .PDF and .DWG files can be accessed at milgard.com/professionals/technical-resources

[Go back to Quick Links](#)

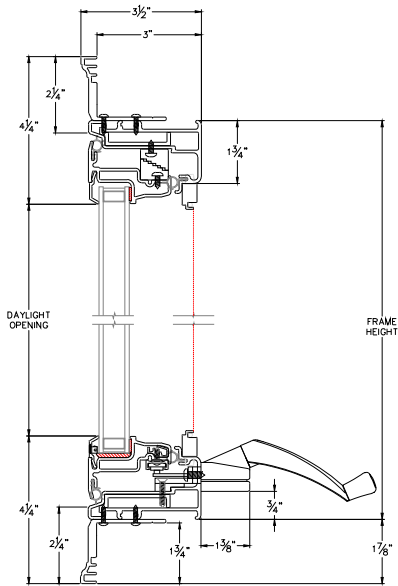
Awning Window

1-3/4" Contour Z-Bar

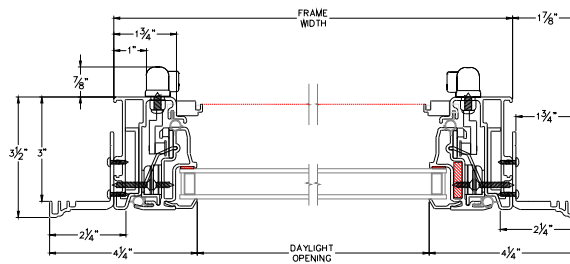
CAD File Scale	View	File Name	Units
NTS	Horizontal & Vertical	3410U-04 FA	Inch

More Technical Documents can be found at milgard.com/professionals
Due to continual research and development, details may be changed at any time. ©2013 Milgard Mfg.

AWNING SERIES 3410



HEAD & SILL



JAMBS

Revit, SketchUp, .PDF and .DWG files can be accessed at
milgard.com/professionals/technical-resources

[Go back to Quick Links](#)

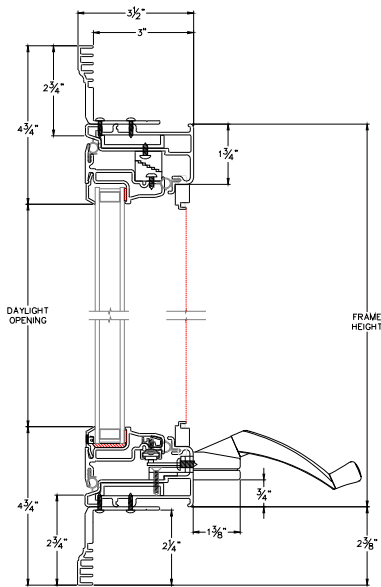
Awning Window

2-1/4" Contour Z-Bar

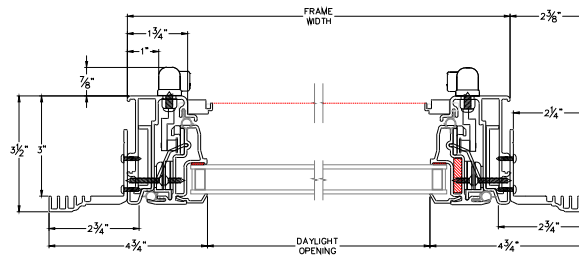
CAD File Scale	View	File Name	Units
NTS	Horizontal & Vertical	3410U-05 FA	Inch

More Technical Documents can be found at milgard.com/professionals
Due to continual research and development, details may be changed at any time. ©2013 Milgard Mfg.

AWNING SERIES 3410



HEAD & SILL



JAMBS

Revit, SketchUp, .PDF and .DWG files can be accessed at milgard.com/professionals/technical-resources

[Go back to Quick Links](#)

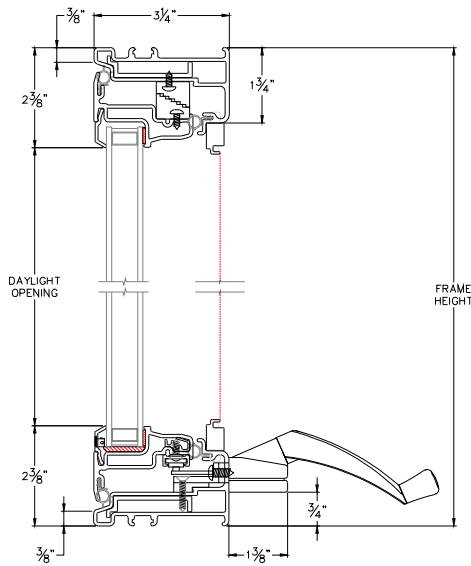
Awning Window

Block Frame

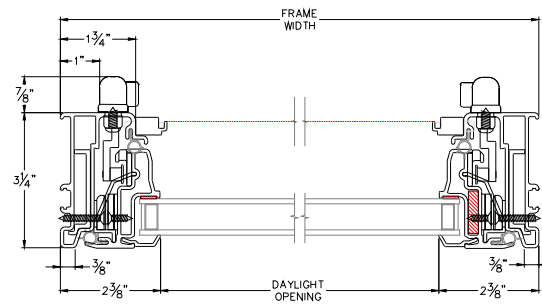
CAD File Scale	View	File Name	Units
NTS	Horizontal & Vertical	3410U-01 FA	Inch

More Technical Documents can be found at milgard.com/professionals
Due to continual research and development, details may be changed at any time. ©2013 Milgard Mfg.

AWNING SERIES 3410



HEAD & SILL



JAMBS

Revit, SketchUp, .PDF and .DWG files can be accessed at
milgard.com/professionals/technical-resources

[Go back to Quick Links](#)

Casement Window



A casement window swings outward like a door, hinged on right or left side. Casement windows can be used alone or in tandem with other Ultra Series windows for virtually any design specification.

Ultra Series fiberglass windows and doors offer outstanding insulating properties and low maintenance, plus they stand up to weather, insects, and ultraviolet rays, and maintain their beauty through every season. The windows will maintain their color and shape and can be constructed to your exact size specifications, subject to engineering review. All Milgard Ultra Series windows are made to order at no additional charge.

Please also see:

[Awning/Casement Hardware](#)

[Frame Colors](#)

[Lifetime Limited Warranty](#)

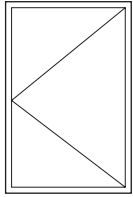
[Energy Packages](#)

[Accessories](#)

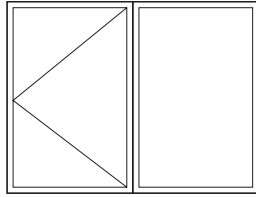


Casement Window

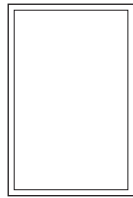
Configurations



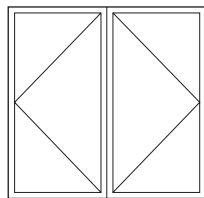
Full Casement



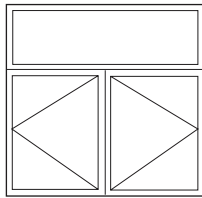
Single Casement



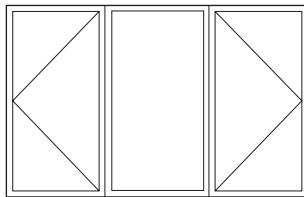
Fixed Casement



Double Casement



Double bottom Casement



Double Casement/Picture

Minimum/Maximum Sizes

FULL CASEMENT

- Min 1⁶2⁰ Max 3⁰5⁰ or 2⁶6⁰

DOUBLE CASEMENT

- Min 3⁰2⁰ Max 6⁰5⁰ or 5⁰6⁰

15 square feet maximum vent size

- Min vent width 1⁶ - Max vent width 3⁰
- Min vent height 1⁶ - Max vent height 6⁰

Minimum egress for casement is 2⁶4⁰ or 3⁰3⁰

NOTE: For engineering approval contact your Milgard representative for any configuration over 40 square feet. Each Milgard Manufacturing plant reserves the right to alter or change sizes and configurations according to location capabilities. Ask your Milgard rep about specialty applications. Windows over 40 square feet shipped open for field glazing. Varies by location.

Not all frame styles available at all Milgard locations. Contact your Milgard Representative for more information.

Drawings - Quick Links

Casement Window

58—1-3/8" Fin Setback

59—1" Fin Setback

60—1-3/4" Contour Z-Bar

61—2-1/4" Contour Z-Bar

62—Block Frame

Revit, SketchUp, .PDF and .DWG files can be accessed at
[milgard.com/professionals/technical-resources](https://www.milgard.com/professionals/technical-resources)

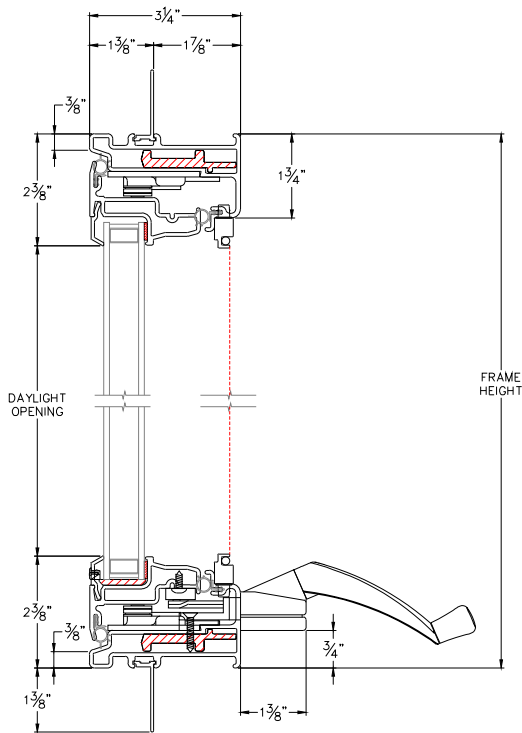
Casement Window

1-3/8" Fin Setback

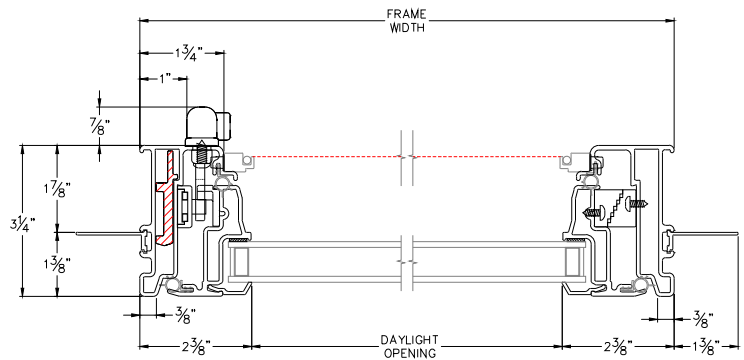
CAD File Scale	View	File Name	Units
NTS	Horizontal & Vertical	3510U-02 FC	Inch

More Technical Documents can be found at milgard.com/professionals
Due to continual research and development, details may be changed at any time. ©2013 Milgard Mfg.

CASEMENT SERIES 3510



HEAD & SILL



JAMBS

Revit, SketchUp, .PDF and .DWG files can be accessed at
milgard.com/professionals/technical-resources

[Go back to Quick Links](#)

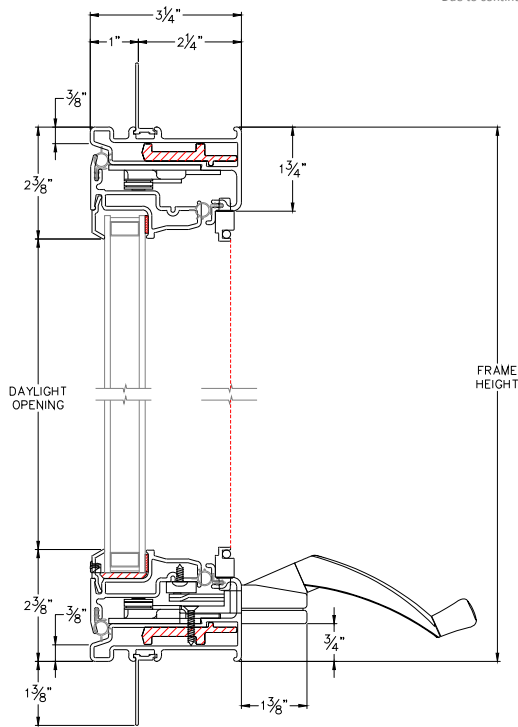
Casement Window

1" Fin Setback

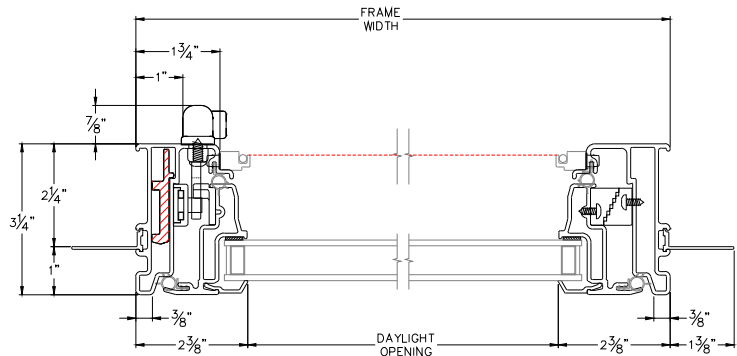
CAD File Scale	View	File Name	Units
NTS	Horizontal & Vertical	3510U-03 FC	Inch

More Technical Documents can be found at milgard.com/professionals
Due to continual research and development, details may be changed at any time. ©2013 Milgard Mfg.

CASEMENT SERIES 3510



HEAD & SILL



JAMBS

Revit, SketchUp, .PDF and .DWG files can be accessed at
milgard.com/professionals/technical-resources

[Go back to Quick Links](#)

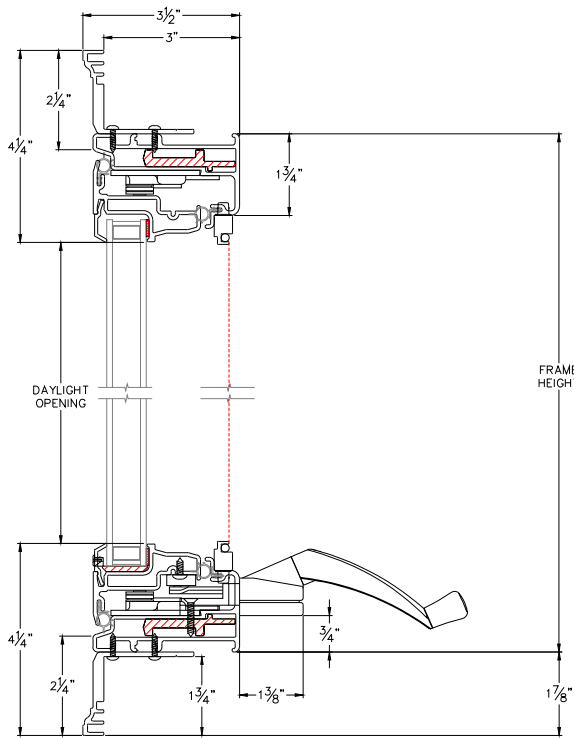
Casement Window

1-3/4" Contour Z-Bar

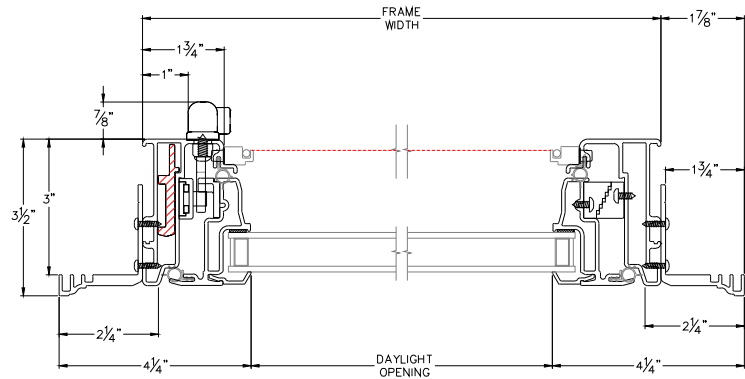
CAD File Scale	View	File Name	Units
NTS	Horizontal & Vertical	3510U-04 FC	Inch

More Technical Documents can be found at milgard.com/professionals
Due to continual research and development, details may be changed at any time. ©2013 Milgard Mfg.

CASEMENT SERIES 3510



HEAD & SILL



JAMBS

Revit, SketchUp, .PDF and .DWG files can be accessed at
milgard.com/professionals/technical-resources

[Go back to Quick Links](#)

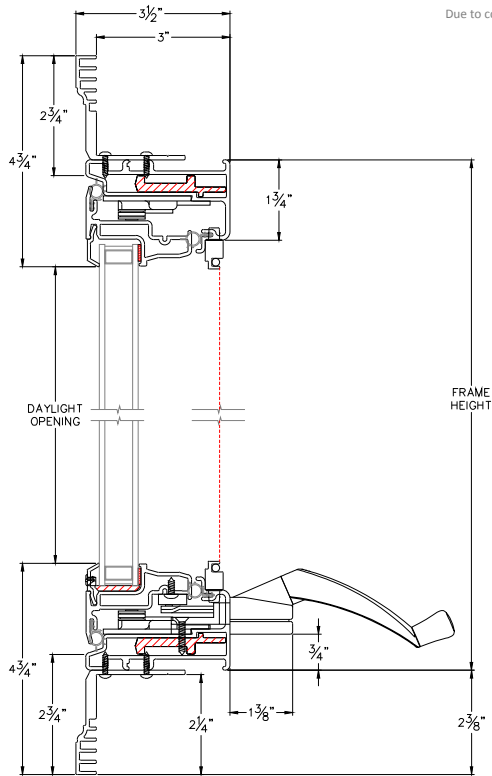
Casement Window

2-1/4" Contour Z-Bar

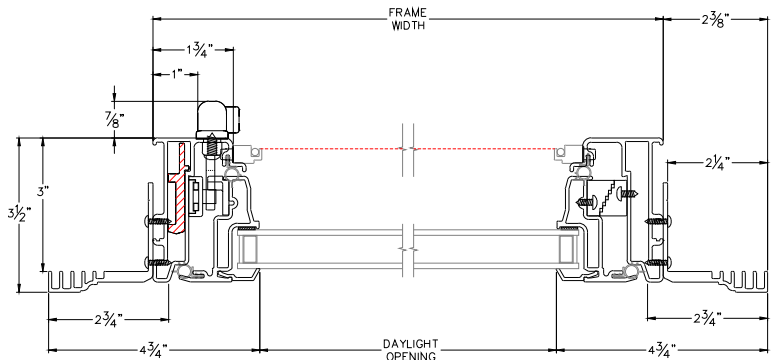
CAD File Scale	View	File Name	Units
NTS	Horizontal & Vertical	3510U-05 FC	Inch

More Technical Documents can be found at milgard.com/professionals
Due to continual research and development, details may be changed at any time. ©2013 Milgard Mfg.

CASEMENT SERIES 3510



HEAD & SILL



JAMBS

Revit, SketchUp, .PDF and .DWG files can be accessed at milgard.com/professionals/technical-resources

[Go back to Quick Links](#)

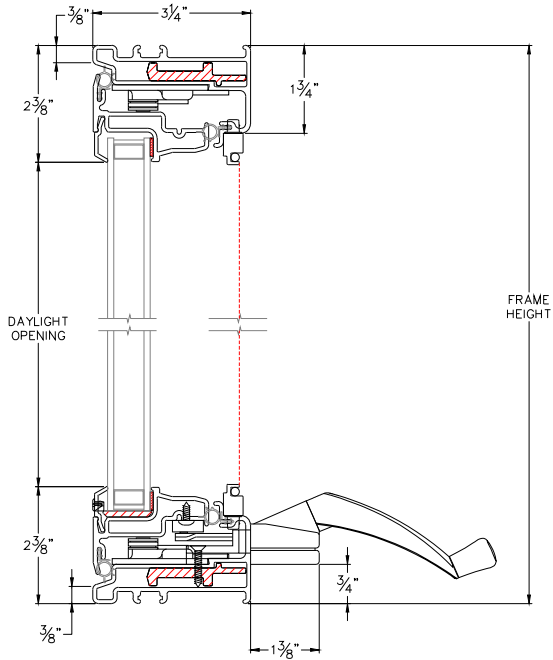
Casement Window

Block Frame

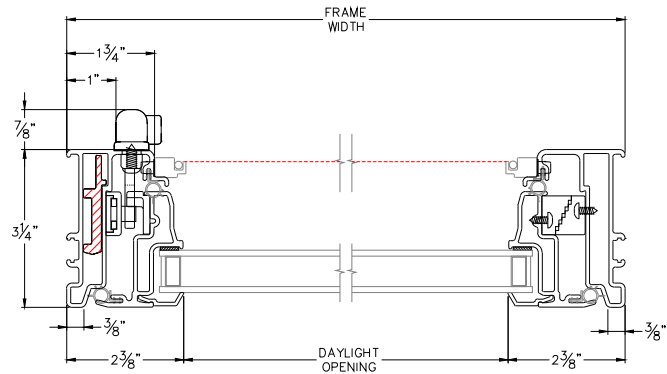
CAD File Scale	View	File Name	Units
NTS	Horizontal & Vertical	3510U-01 FC	Inch

More Technical Documents can be found at milgard.com/professionals
Due to continual research and development, details may be changed at any time. ©2013 Milgard Mfg.

CASEMENT SERIES 3510



HEAD & SILL



JAMBS

Revit, SketchUp, .PDF and .DWG files can be accessed at
milgard.com/professionals/technical-resources

[Go back to Quick Links](#)

Bay & Bow Window



Milgard's Bay Windows include 18", 24" or 30" "flankers" or side windows, joined at 45 degrees to a picture window in the center. Flankers are available in picture, single-hung, or casement windows.

Milgard's Bow Windows are standard in 3', 4', or 5' heights joined at 13 degrees in overall size from 5⁰1⁶ to 10⁰5⁰. Flankers are available in picture, single-hung, casement or awning windows.



Milgard Bay/Bow Windows are available in custom sizes to match almost any design, either new or retrofit.

Ultra Series fiberglass windows and doors offer outstanding insulating properties and low maintenance, plus they stand up to weather, insects, and ultraviolet rays, and maintain their beauty through every season. The windows will maintain their color and shape and can be constructed to your exact size specifications, subject to engineering review. All Milgard Ultra Series windows are made to order at no additional charge.

Please also see:

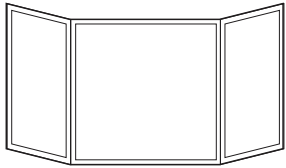
[Frame Colors](#)

[Lifetime Limited Warranty](#)

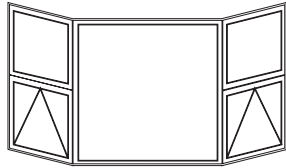
[Energy Packages](#)

[Accessories](#)

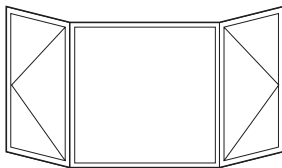
Bay & Bow Window Configurations



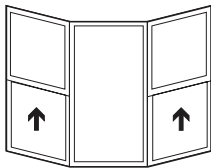
Bay Picture



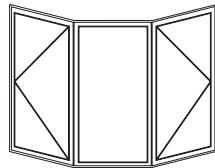
Bay Awning



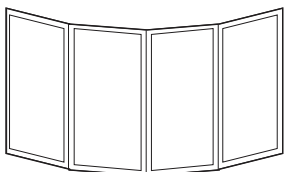
Bay Casement



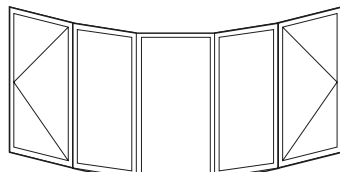
Bow Single Hung
3-segment



Bow Casement
3-segment



Bow Picture
4-segment



Bow Casement
5-segment

Minimum/Maximum Sizes

BAY PICTURE

- Min 4'3" Max 8'5"

BAY CASEMENT

- Min 4'3" Max 8'5"

BAY AWNING

- Min 4'3" Max 8'5"

BOW 3-SEGMENT

- Picture Min 4'3" Max 6'5"
- Casement, Awning Min 4'3" Max 6'5"
- Single Hung Min 4'3" Max 6'5"

BOW 4-SEGMENT

- Picture Min 6'3" Max 8'5"
- Casement, Awning Min 6'3" Max 7'8"
- Single Hung Min 6'3" Max 7'8"

BOW 5-SEGMENT

- Min 7'3" Max 9'6"

NOTE: For engineering approval contact your Milgard representative for any configuration over 40 square feet. Each Milgard Manufacturing plant reserves the right to alter or change sizes and configurations according to location capabilities. Ask your Milgard rep about specialty applications. Windows over 40 square feet shipped open for field glazing. Varies by location.

Not all frame styles available at all Milgard locations. Contact your Milgard Representative for more information.

Drawings - Quick Links

Bay Window Drawings

66—Bay Window Frame Detail

67—Jamb and Sill Details

68—Assembly Drawing

Bow Window Drawings

69—Frame Details

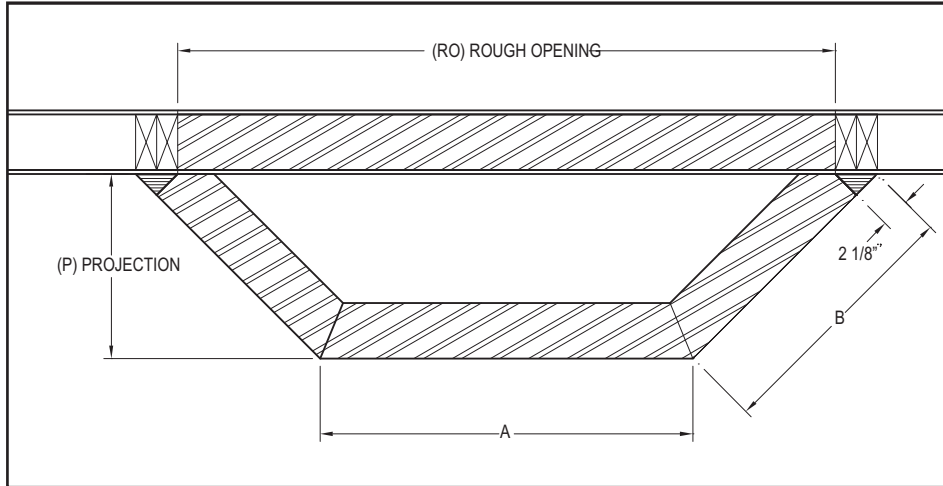
70—Bow Jamb and Sill Details

71—Assembly Drawing

Revit, SketchUp, .PDF and .DWG files can be accessed at
milgard.com/professionals/technical-resources

Bay Window Drawings

Bay Window Frame Detail



Installation

All Bay and Bow fiberglass windows are factory sized to fit in a framed opening, whether new or created by removing an existing window. Windows will be 1/2" smaller than the framed (rough) opening to allow 1/4" clearance on all sides (tolerance +/- 1/16"). Built to rough opening size, with 1/2" deductions automatically made, no complex calculations are required for ordering.

Windows must be installed level, plumb and square with 1/4" clearance on all sides with weep holes at the bottom.

Support

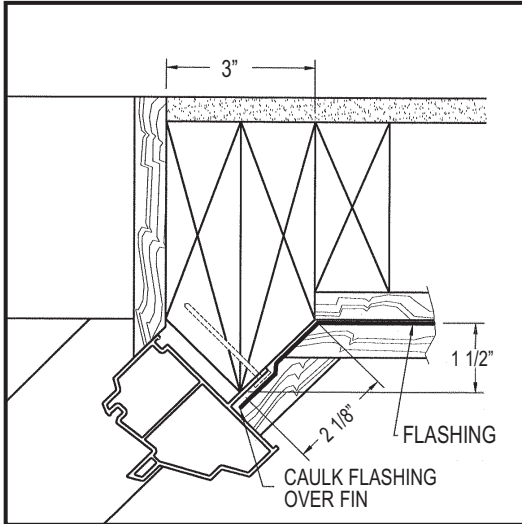
All Bay and Bow fiberglass windows must have substantial support from below. Full wall framing or 45° angle bracing is recommended.

Revit, SketchUp, .PDF and .DWG files can be accessed at milgard.com/professionals/technical-resources

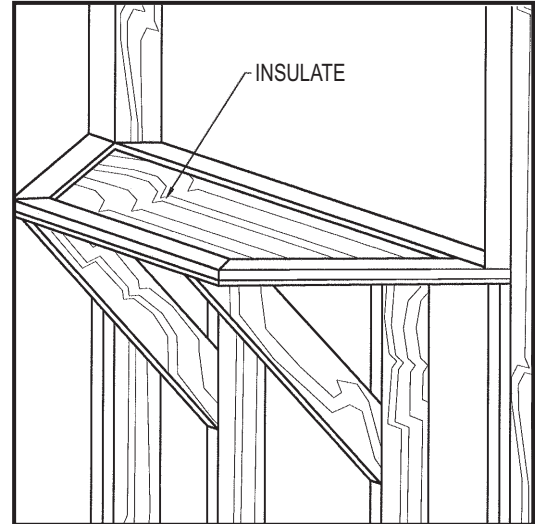
	Nail Fin Setback		
	1"	1-3/8"	
18" Flankers	A	Deduct 24" from RO	Deduct 23-3/4" from RO
	B	21-3/16"	21-1/16"
	P	15"	17-1/8"
Net Width of Center Window		Deduct 26-5/8" from RO	Deduct 26-1/8" from RO
24" Flankers	A	Deduct 32-1/2"	Deduct 32-1/4"
	B	27-3/16"	27-1/16"
	P	19-1/4"	19-1/8"
Net Width of Center Window		Deduct 35-1/8" from RO	Deduct 34-5/8" from RO

Bay Window Drawings

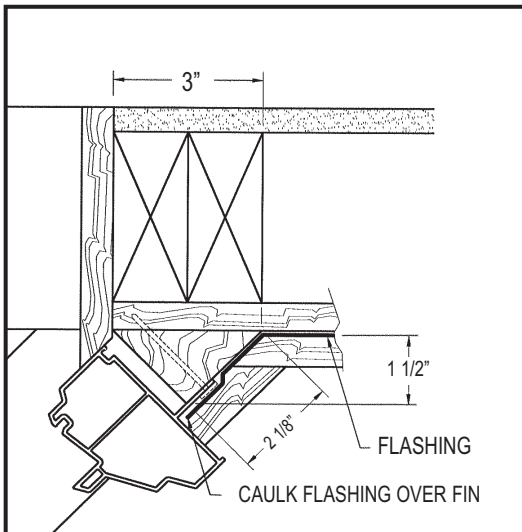
Jamb and Sill Details



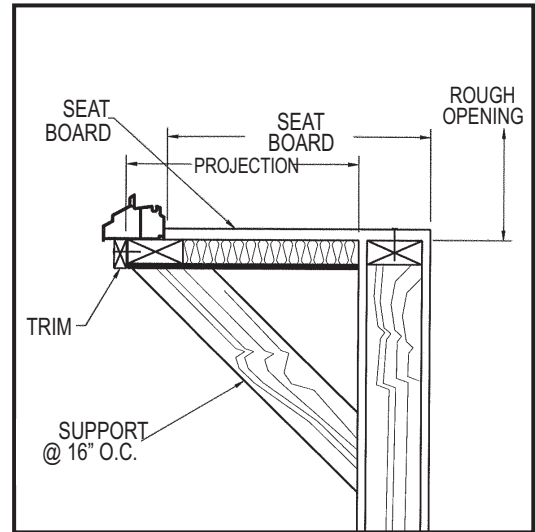
JAMB FIN DETAIL



SILL DETAIL PROJECTION



ALTERNATE JAMB FIN DETAIL



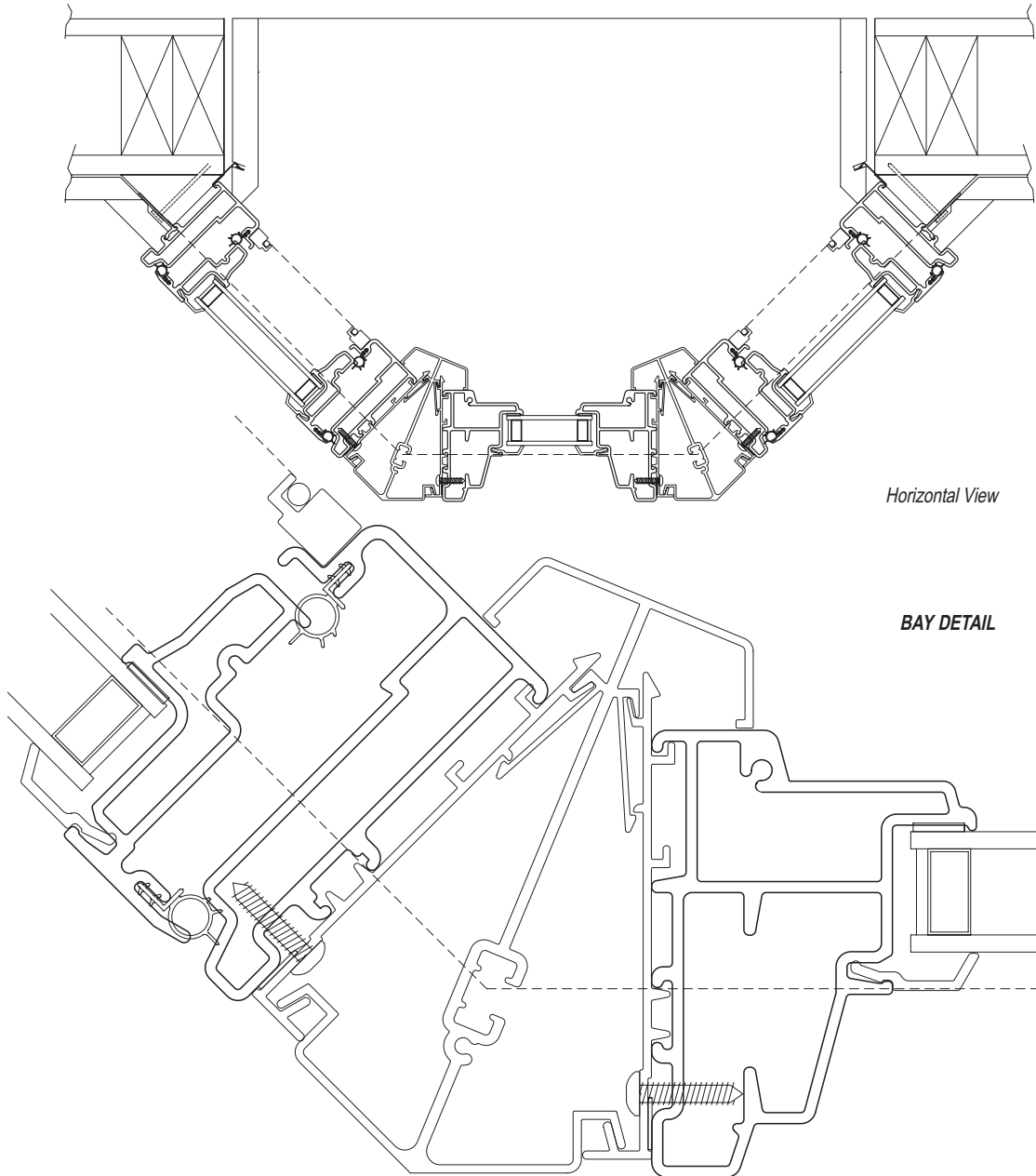
SILL DETAIL (HEAD IS SIMILAR)

Revit, SketchUp, .PDF and .DWG files can be accessed at milgard.com/professionals/technical-resources

[Go back to Quick Links](#)

Bay Window Drawings

Assembly Drawing

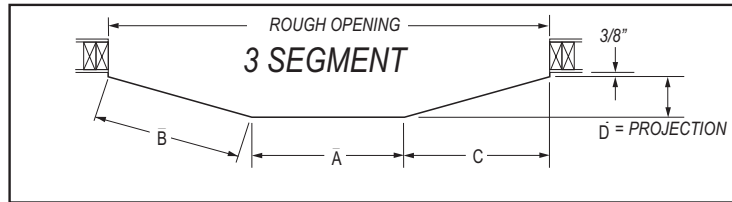


Revit, SketchUp, .PDF and .DWG files can be accessed at
milgard.com/professionals/technical-resources

[Go back to Quick Links](#)

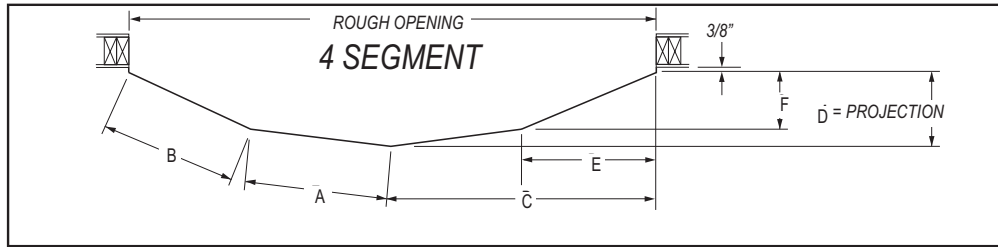
Bow Window Drawings

Frame Details



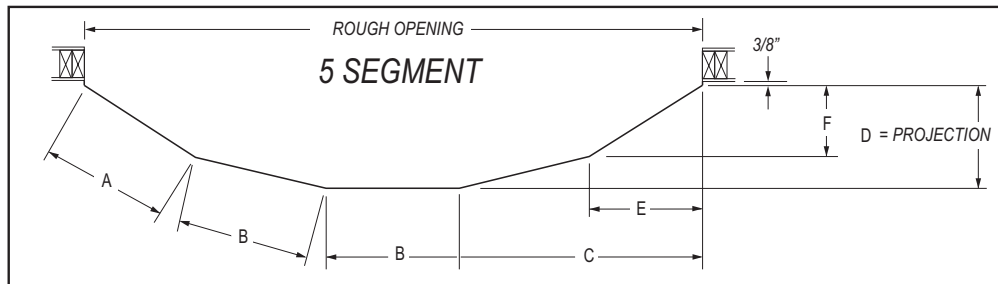
1-3/8" FIN SETBACK – 3 SECTIONS – 4.5625" WALL THICKNESS

RO WIDTH	A	B	C	D	NET WINDOW WIDTH
48	16 5/8"	16 1/4"	15 11/16"	4 3/16"	15 3/8"
60	20 11/16"	20 5/16"	19 11/16"	5 1/4"	19 7/16"
72	24 13/16"	24 7/16"	23 5/16"	6 5/16"	23 9/16"
84	28 7/8"	28 1/2"	27 9/16"	7 3/8"	27 5/8"



1-3/8" FIN SETBACK – 4 SECTIONS – 4.5625" WALL THICKNESS

RO WIDTH	A	B	C	D	E	F	NET WINDOW WIDTH
72	19"	18 5/8"	36"	9 5/8"	17 3/16"	7 1/8"	17 3/4"
84	22 1/8"	21 3/4"	42"	11 3/16"	20 1/16"	8 5/16"	20 7/8"
96	25 1/4"	24 7/8"	48"	12 13/16"	22 15/16"	9 1/2"	24"
108	28 3/8"	28"	54"	14 7/16"	25 7/8"	10 3/4"	27 1/8"
120	31 1/2"	31 1/8"	60"	16 1/16"	28 3/4"	11 15/16"	30 1/4"



1-3/8" FIN SETBACK – 5 SECTIONS – 4.5625" WALL THICKNESS

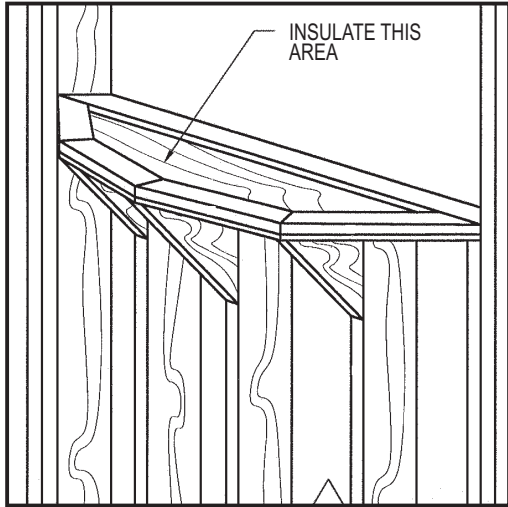
RO WIDTH	A	B	C	D	E	F	NET WINDOW WIDTH
96	20 3/8"	20 3/4"	37 5/8"	15 9/16"	17 5/8"	10 3/16"	19 1/2"
120	25 1/2"	25 7/8"	47 1/16"	19 7/16"	22 1/16"	12 3/4"	24 5/8"

Revit, SketchUp, .PDF and .DWG files can be accessed at milgard.com/professionals/technical-resources

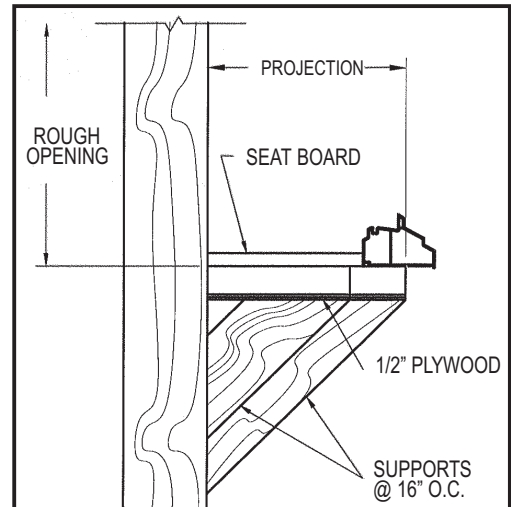
[Go back to Quick Links](#)

Bow Window Drawings

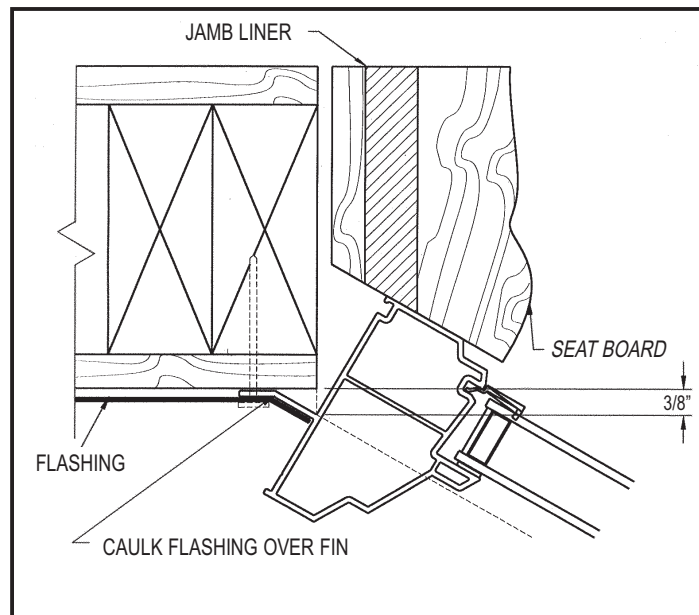
Bow Jamb and Sill Details



SILL DETAIL PROJECTION



SILL DETAIL (HEAD IS SIMILAR)



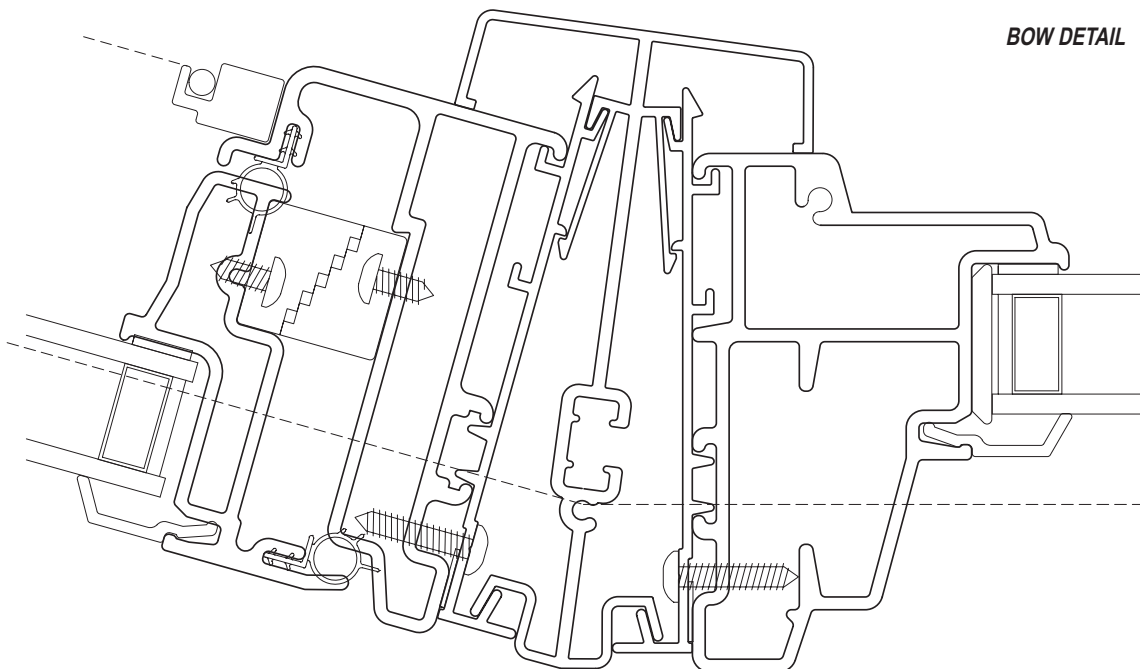
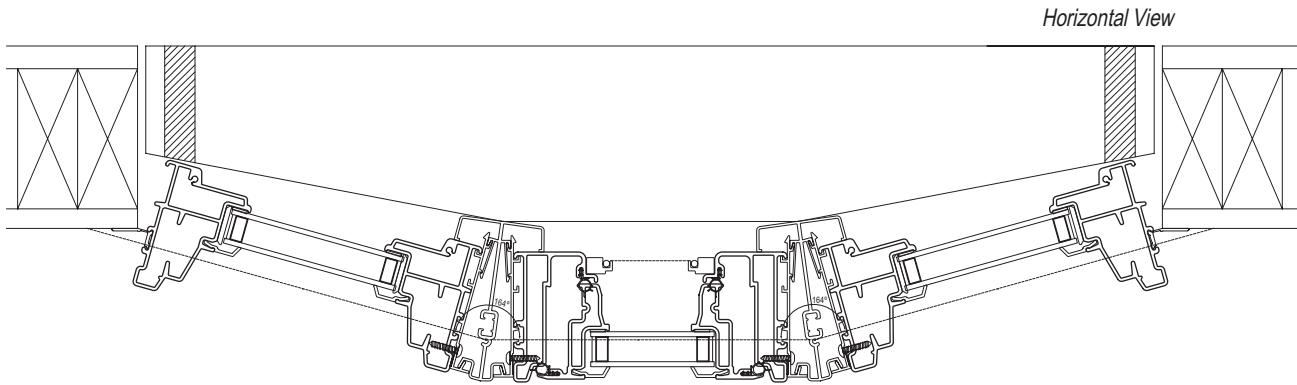
JAMB DETAIL

Revit, SketchUp, .PDF and .DWG files can be accessed at milgard.com/professionals/technical-resources

[Go back to Quick Links](#)

Bow Window Drawings

Assembly Drawing



Revit, SketchUp, .PDF and .DWG files can be accessed at
milgard.com/professionals/technical-resources

[Go back to Quick Links](#)

Sliding Patio Doors



Ultra Series fiberglass windows and doors offer outstanding insulating properties and low maintenance, plus they stand up to weather, insects, and ultraviolet rays, and maintain their beauty through every season. The doors will maintain their color and shape and can be constructed to your exact size specifications, subject to engineering review. All Milgard Ultra Series doors are made to order at no additional charge.

Please also see:

[Door Hardware](#)

[Frame Colors](#)

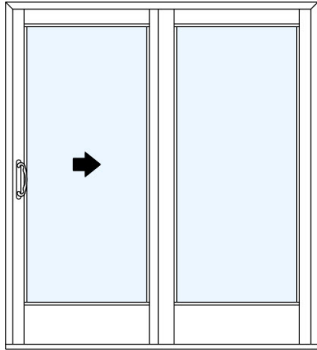
[Lifetime Limited Warranty](#)

[Energy Packages](#)

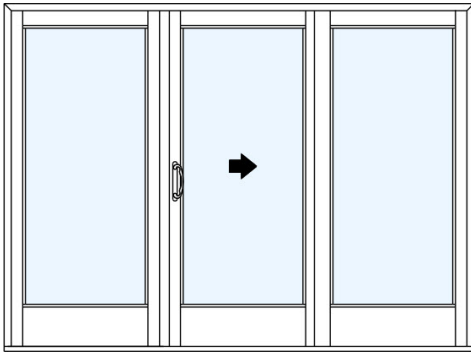
[Accessories](#)

Sliding Patio Door

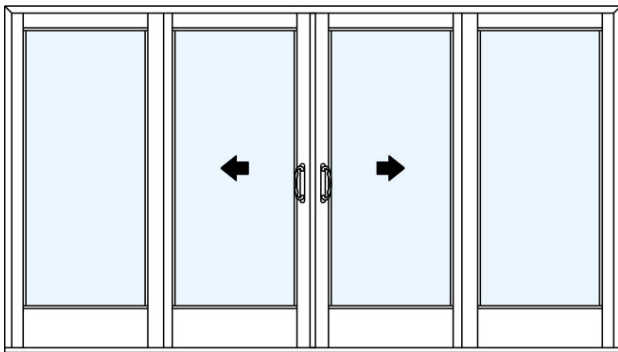
Configurations



2 PANEL



3 PANEL



4 PANEL

Minimum/Maximum Sizes

FRENCH RAIL SLIDING DOOR

- 2 Panel Min 5' 6" Max 8' 8"
- 3 Panel Min 7' 6" Max 12' 8"
- 4 Panel Min 10' 6" Max 14' 8"

Other

All configurations available with transoms, 1 or 2 sidelites, and arches.

NOTE: For engineering approval contact your Milgard representative for any configuration over 40 square feet. Each Milgard Manufacturing plant reserves the right to alter or change sizes and configurations according to location capabilities. Ask your Milgard rep about specialty applications. Windows over 40 square feet shipped open for field glazing. Varies by location.

Not all frame styles available at all Milgard locations. Contact your Milgard Representative for more information.

Drawings - Quick Links

French Rail Sliding Patio Door

75—O - 1-3/8" Fin Setback

76—O - 1" Fin Setback

77—O - 1-3/4" Z-Bar

78—O - 2-1/4" Z-Bar

79—O - Block Frame

80—XO - 1-3/8" Fin Setback

81—XO - 1" Fin Setback

82—XO - 1-3/4" Z-Bar

83—XO - 2-1/4" Z-Bar

84—XO - Block Frame

85—XOO - 1-3/8" Fin Setback

86—XOO - 1" Fin Setback

87—XOO - 1-3/4" Z-Bar

88—XOO - 2-1/4" Z-Bar

89—XOO - Block Frame

90—OXO - 1-3/8" Fin Setback

91—OXO - 1" Fin Setback

92—OXO - 1-3/4" Z-Bar

93—OXO - 2-1/4" Z-Bar

94—OXO - Block Frame

95—OXXO - 1-3/8" Fin Setback

96—OXXO - 1" Fin Setback

97—OXXO - 1-3/4" Z-Bar

98—OXXO - 2-1/4" Z-Bar

99—OXXO - Block Frame

Revit, SketchUp, .PDF and .DWG files can be accessed at
milgard.com/professionals/technical-resources

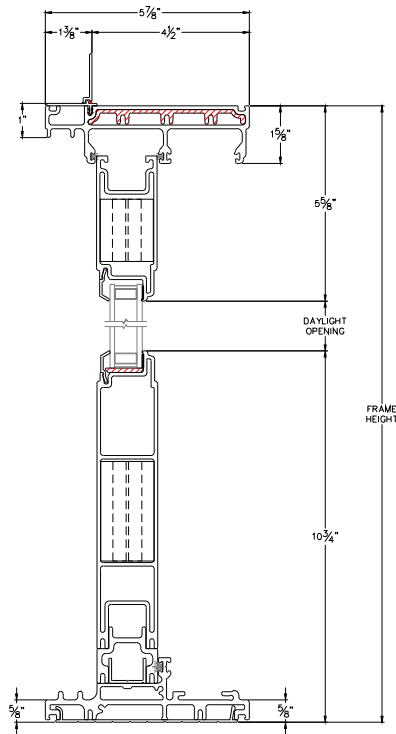
French Rail Sliding Patio Door

O - 1-3/8" Fin Setback

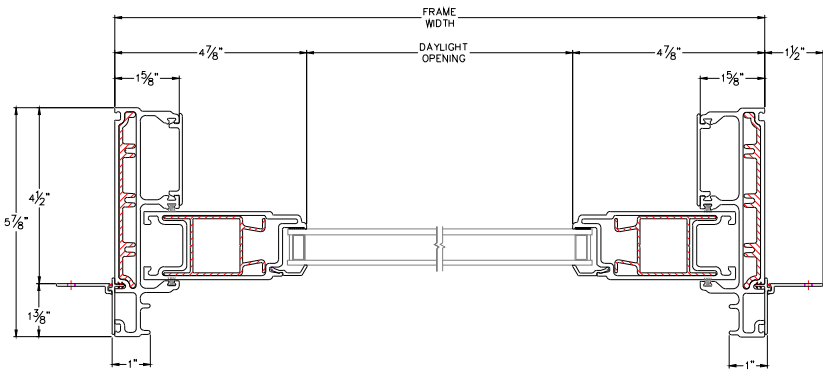
CAD File Scale	View	File Name	Units
NTS	Horizontal & Vertical	3626U-02 FS-O	Inch

More Technical Documents can be found at milgard.com/professionals
Due to continual research and development, details may be changed at any time. ©2013 Milgard Mfg.

FRENCH SLIDER SERIES 3626



HEAD & SILL



JAMBS

Revit, SketchUp, .PDF and .DWG files can be accessed at milgard.com/professionals/technical-resources

[Go back to Quick Links](#)

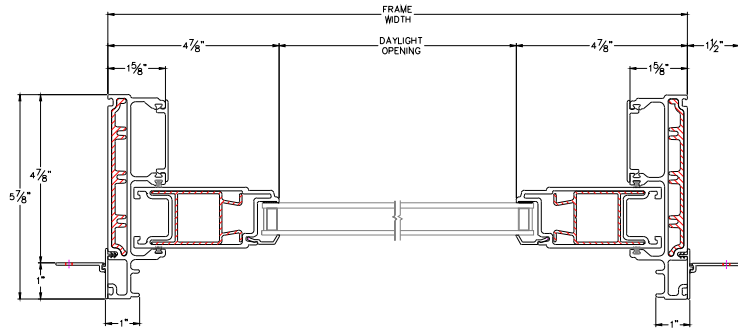
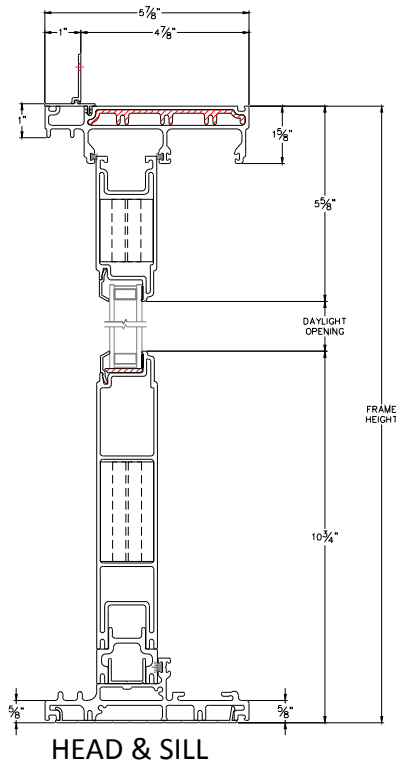
French Rail Sliding Patio Door

O - 1" Fin Setback

CAD File Scale	View	File Name	Units
NTS	Horizontal & Vertical	3626U-03 FS-O	Inch

More Technical Documents can be found at milgard.com/professionals
Due to continual research and development, details may be changed at any time. ©2013 Milgard Mfg.

FRENCH SLIDER SERIES 3626



Revit, SketchUp, .PDF and .DWG files can be accessed at milgard.com/professionals/technical-resources

[Go back to Quick Links](#)

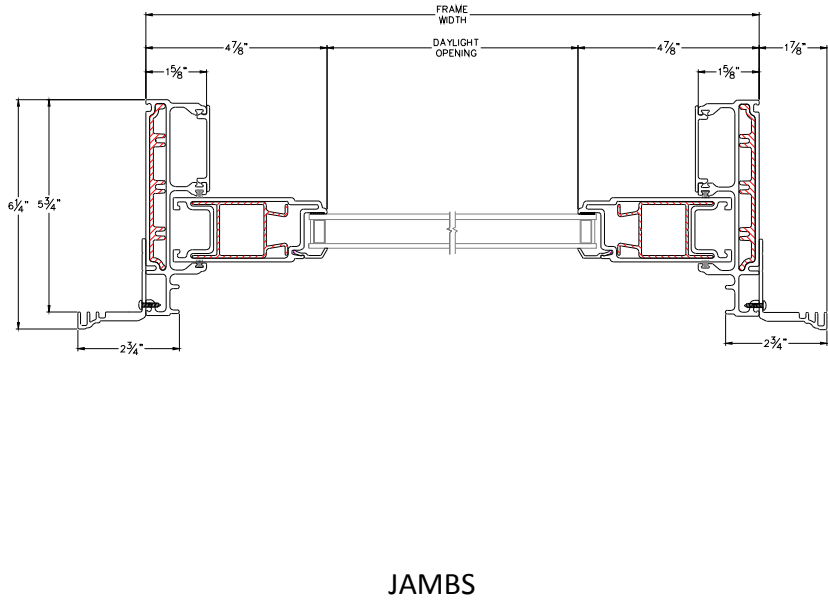
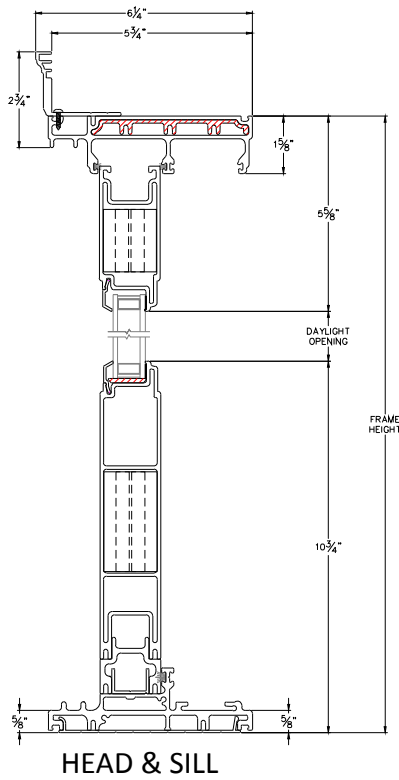
French Rail Sliding Patio Door

O - 1-3/4" Z-Bar

CAD File Scale	View	File Name	Units
NTS	Horizontal & Vertical	3626U-04 FS-O	Inch

More Technical Documents can be found at milgard.com/professionals
Due to continual research and development, details may be changed at any time. ©2013 Milgard Mfg.

FRENCH SLIDER SERIES 3626



Revit, SketchUp, .PDF and .DWG files can be accessed at milgard.com/professionals/technical-resources

[Go back to Quick Links](#)

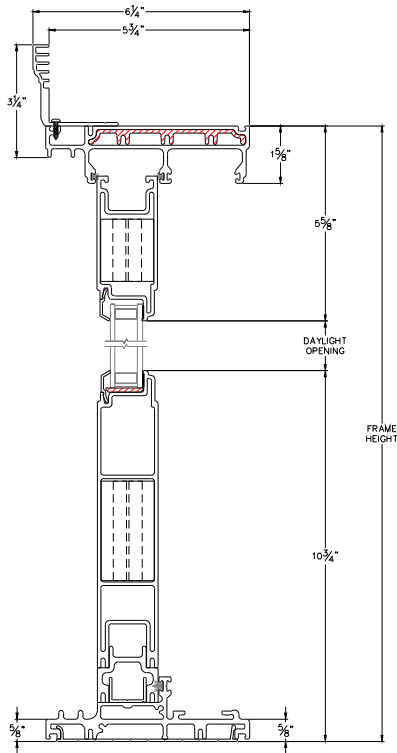
French Rail Sliding Patio Door

O - 2-1/4" Z-Bar

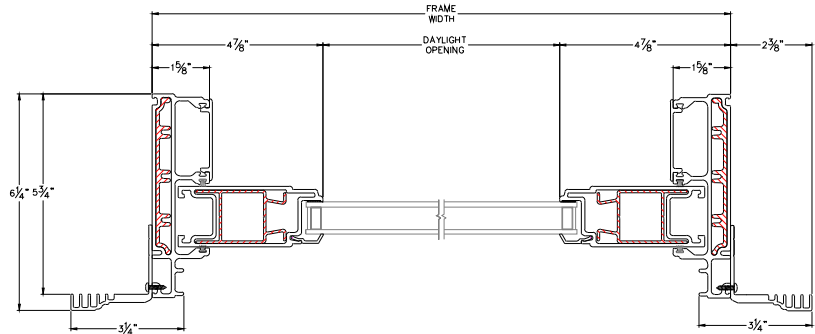
CAD File Scale	View	File Name	Units
NTS	Horizontal & Vertical	3626U-05 FS-O	Inch

More Technical Documents can be found at milgard.com/professionals
Due to continual research and development, details may be changed at any time. ©2013 Milgard Mfg.

FRENCH SLIDER SERIES 3626



HEAD & SILL



JAMBS

Revit, SketchUp, .PDF and .DWG files can be accessed at milgard.com/professionals/technical-resources

[Go back to Quick Links](#)

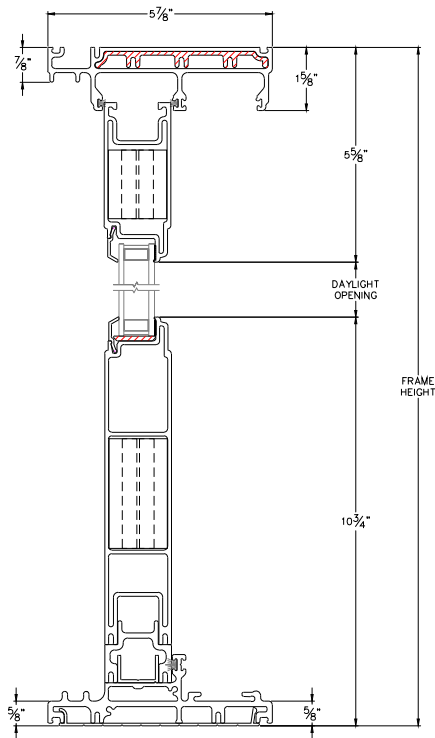
French Rail Sliding Patio Door

O - Block Frame

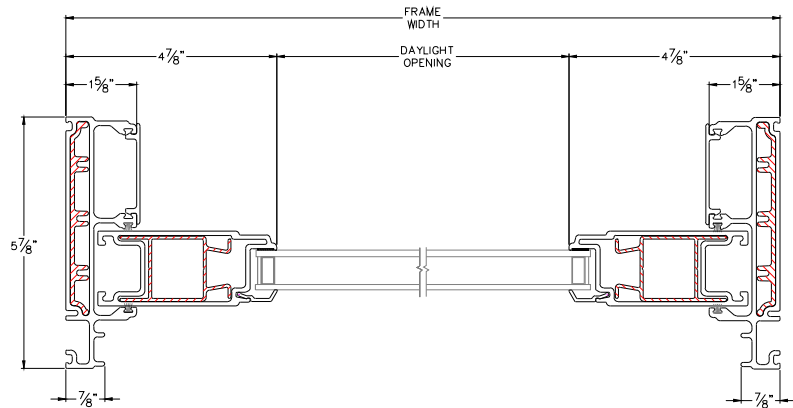
CAD File Scale	View	File Name	Units
NTS	Horizontal & Vertical	3626U-01 FS-O	Inch

More Technical Documents can be found at milgard.com/professionals
Due to continual research and development, details may be changed at any time. ©2013 Milgard Mfg.

FRENCH SLIDER SERIES 3626



HEAD & SILL



JAMBS

Revit, SketchUp, .PDF and .DWG files can be accessed at milgard.com/professionals/technical-resources

[Go back to Quick Links](#)

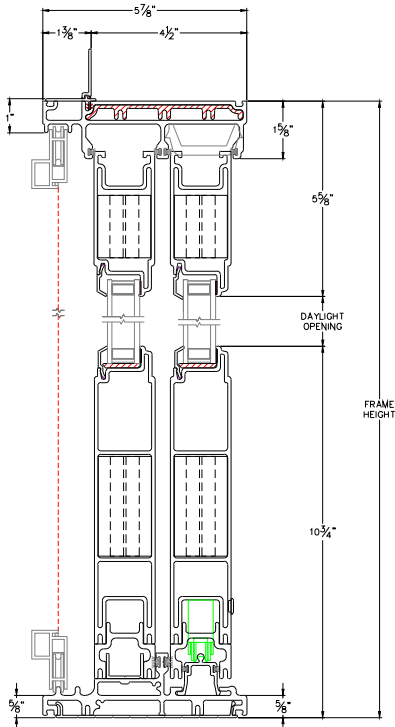
French Rail Sliding Patio Door

XO - 1-3/8" Fin Setback

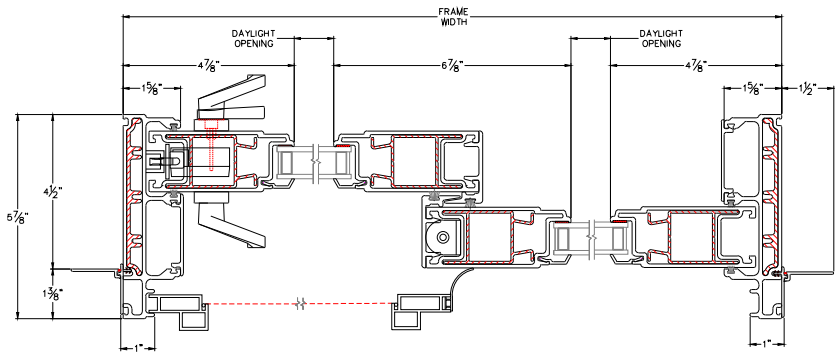
CAD File Scale	View	File Name	Units
NTS	Horizontal & Vertical	3626U-02 FS-XO	Inch

More Technical Documents can be found at milgard.com/professionals
Due to continual research and development, details may be changed at any time. ©2013 Milgard Mfg.

FRENCH SLIDER SERIES 3626



HEAD & SILL



JAMBS

Revit, SketchUp, .PDF and .DWG files can be accessed at milgard.com/professionals/technical-resources

[Go back to Quick Links](#)

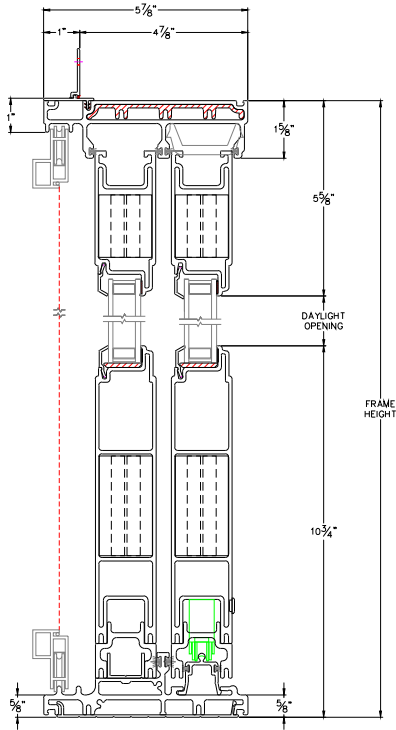
French Rail Sliding Patio Door

XO - 1" Fin Setback

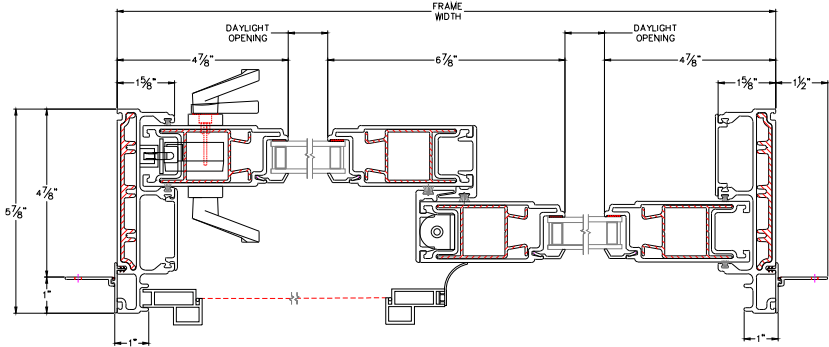
CAD File Scale	View	File Name	Units
NTS	Horizontal & Vertical	3626U-03 FS-XO	Inch

More Technical Documents can be found at milgard.com/professionals
Due to continual research and development, details may be changed at any time. ©2013 Milgard Mfg.

FRENCH SLIDER SERIES 3626



HEAD & SILL



JAMBS

Revit, SketchUp, .PDF and .DWG files can be accessed at
milgard.com/professionals/technical-resources

[Go back to Quick Links](#)

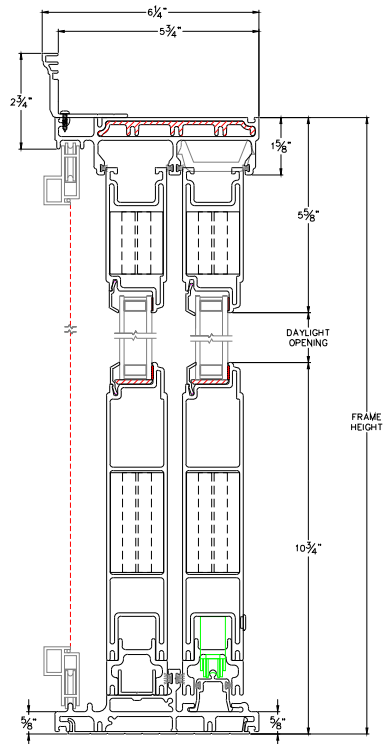
French Rail Sliding Patio Door

XO - 1-3/4" Z-Bar

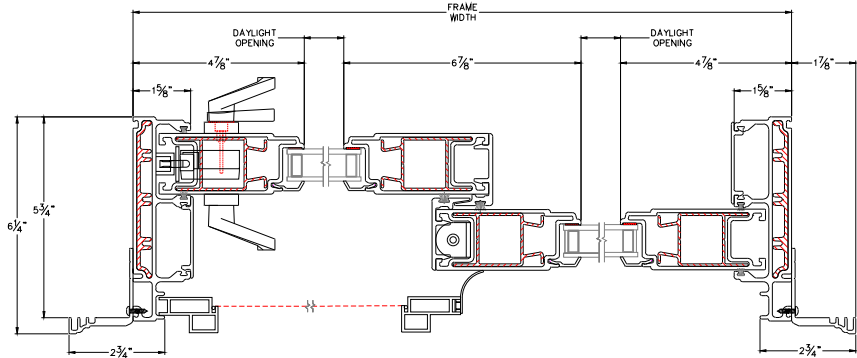
CAD File Scale	View	File Name	Units
NTS	Horizontal & Vertical	3626U-04 FS-XO	Inch

More Technical Documents can be found at milgard.com/professionals
Due to continual research and development, details may be changed at any time. ©2013 Milgard Mfg.

FRENCH SLIDER SERIES 3626



HEAD & SILL



JAMBS

Revit, SketchUp, .PDF and .DWG files can be accessed at milgard.com/professionals/technical-resources

[Go back to Quick Links](#)

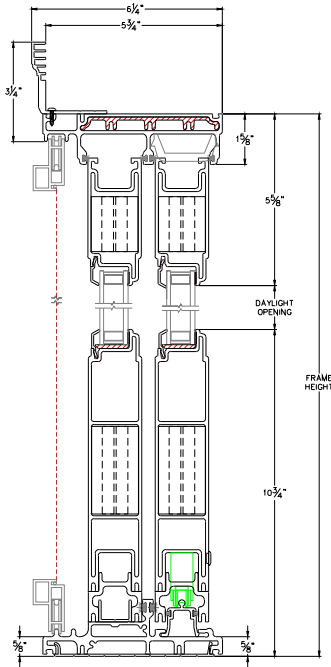
French Rail Sliding Patio Door

XO - 2-1/4" Z-Bar

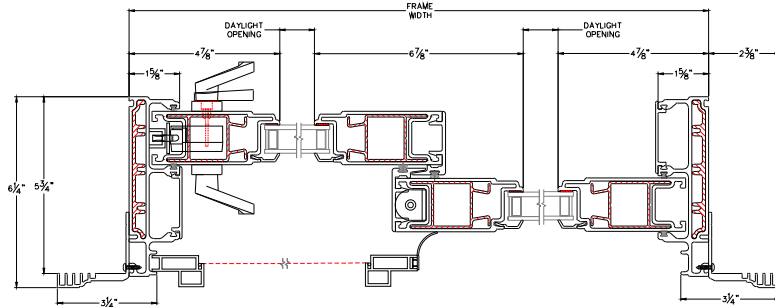
CAD File Scale	View	File Name	Units
NTS	Horizontal & Vertical	3626U-05 FS-XO	Inch

More Technical Documents can be found at milgard.com/professionals
Due to continual research and development, details may be changed at any time. ©2013 Milgard Mfg.

FRENCH SLIDER SERIES 3626



HEAD & SILL



JAMBS

Revit, SketchUp, .PDF and .DWG files can be accessed at milgard.com/professionals/technical-resources

[Go back to Quick Links](#)

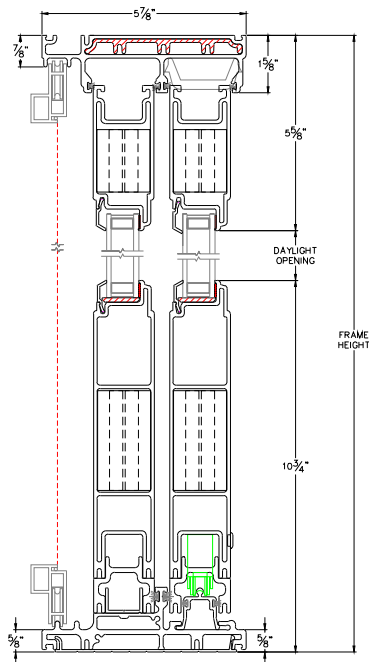
French Rail Sliding Patio Door

XO - Block Frame

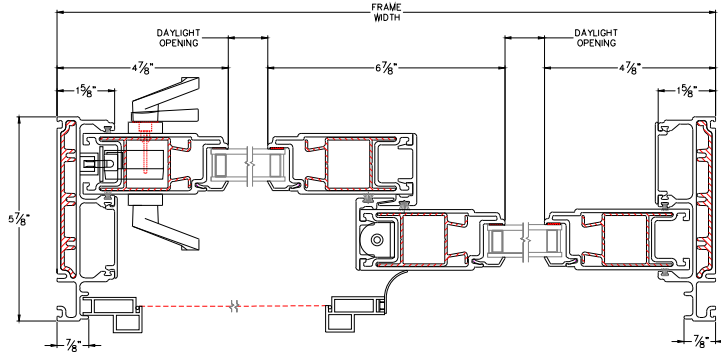
CAD File Scale	View	File Name	Units
NTS	Horizontal & Vertical	3626U-01 FS-XO	Inch

More Technical Documents can be found at milgard.com/professionals
Due to continual research and development, details may be changed at any time. ©2013 Milgard Mfg.

FRENCH SLIDER SERIES 3626



HEAD & SILL



JAMBS

Revit, SketchUp, .PDF and .DWG files can be accessed at
milgard.com/professionals/technical-resources

[Go back to Quick Links](#)

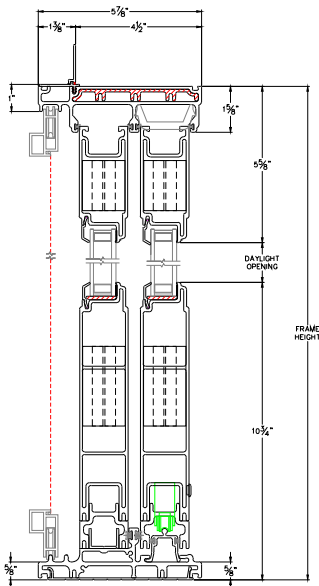
French Rail Sliding Patio Door

XOO - 1-3/8" Fin Setback

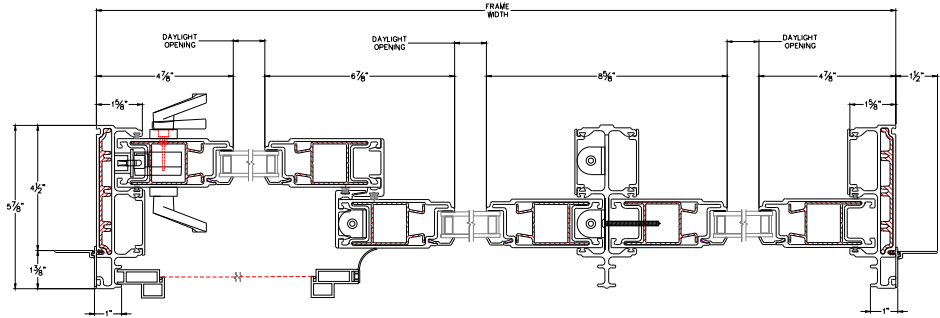
CAD File Scale	View	File Name	Units
NTS	Horizontal & Vertical	3626U-02 FS-XOO	Inch

More Technical Documents can be found at milgard.com/professionals
Due to continual research and development, details may be changed at any time. ©2013 Milgard Mfg.

FRENCH SLIDER SERIES 3626



HEAD & SILL



JAMBS

Revit, SketchUp, .PDF and .DWG files can be accessed at milgard.com/professionals/technical-resources

[Go back to Quick Links](#)

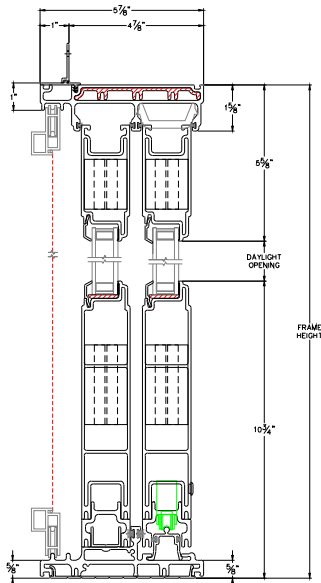
French Rail Sliding Patio Door

XOO - 1" Fin Setback

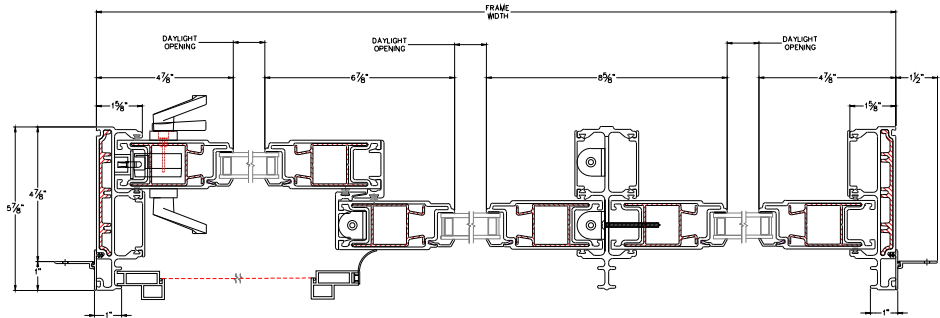
CAD File Scale	View	File Name	Units
NTS	Horizontal & Vertical	3626U-03 FS-XOO	Inch

More Technical Documents can be found at milgard.com/professionals
Due to continual research and development, details may be changed at any time. ©2013 Milgard Mfg.

FRENCH SLIDER SERIES 3626



HEAD & SILL



JAMBS

Revit, SketchUp, .PDF and .DWG files can be accessed at
milgard.com/professionals/technical-resources

[Go back to Quick Links](#)

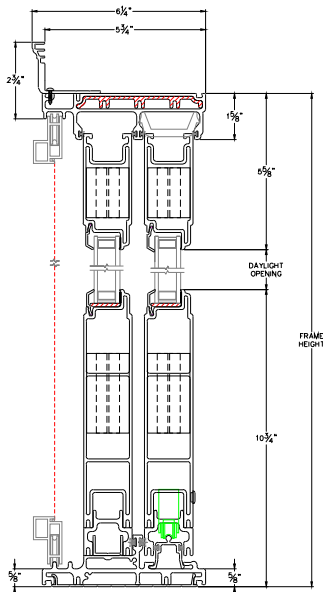
French Rail Sliding Patio Door

XOO - 1-3/4" Z-Bar

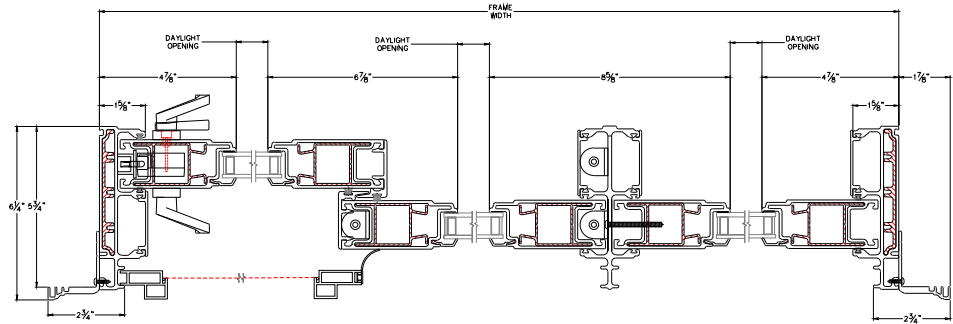
CAD File Scale	View	File Name	Units
NTS	Horizontal & Vertical	3626U-04 FS-XOO	Inch

More Technical Documents can be found at milgard.com/professionals
Due to continual research and development, details may be changed at any time. ©2013 Milgard Mfg.

FRENCH SLIDER SERIES 3626



HEAD & SILL



JAMBS

Revit, SketchUp, .PDF and .DWG files can be accessed at
milgard.com/professionals/technical-resources

[Go back to Quick Links](#)

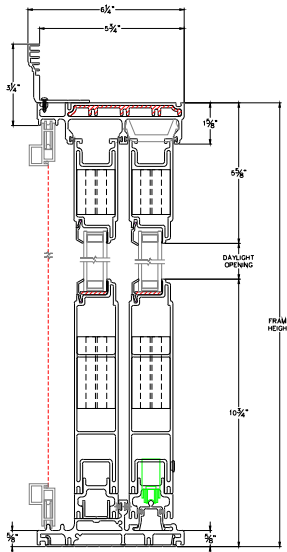
French Rail Sliding Patio Door

XOO - 2-1/4" Z-Bar

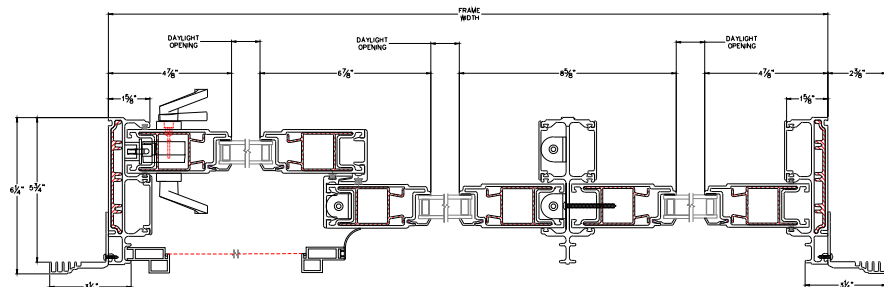
CAD File Scale	View	File Name	Units
NTS	Horizontal & Vertical	3626U-05 FS-XOO	Inch

More Technical Documents can be found at milgard.com/professionals
Due to continual research and development, details may be changed at any time. ©2013 Milgard Mfg.

FRENCH SLIDER SERIES 3626



HEAD & SILL



JAMBS

Revit, SketchUp, .PDF and .DWG files can be accessed at
milgard.com/professionals/technical-resources

[Go back to Quick Links](#)

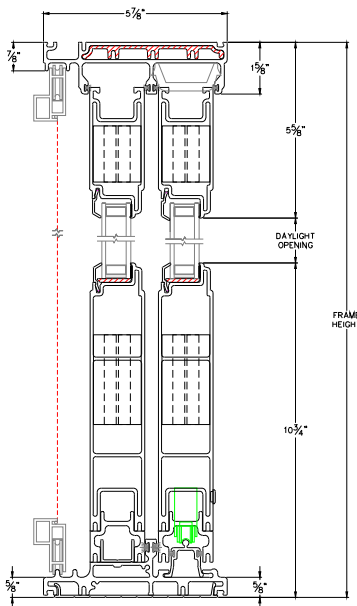
French Rail Sliding Patio Door

XOO - Block Frame

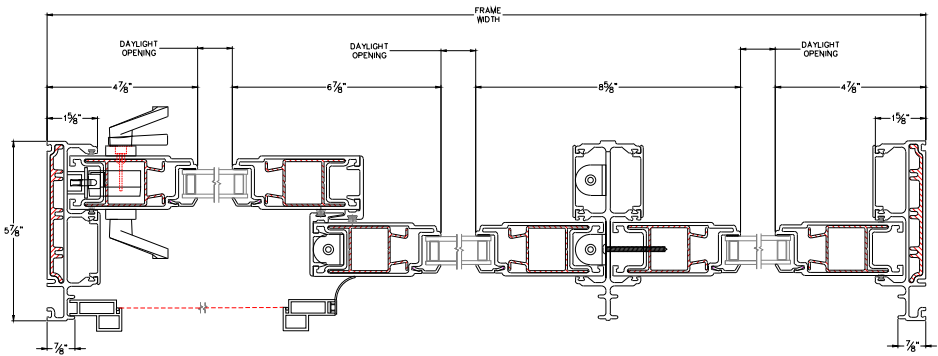
CAD File Scale	View	File Name	Units
NTS	Horizontal & Vertical	3626U-01 FS-XOO	Inch

More Technical Documents can be found at milgard.com/professionals
Due to continual research and development, details may be changed at any time. ©2013 Milgard Mfg.

FRENCH SLIDER SERIES 3626



HEAD & SILL



JAMBS

Revit, SketchUp, .PDF and .DWG files can be accessed at
milgard.com/professionals/technical-resources

[Go back to Quick Links](#)

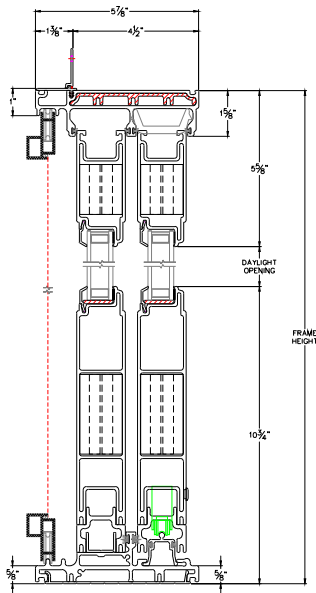
French Rail Sliding Patio Door

OXO - 1-3/8" Fin Setback

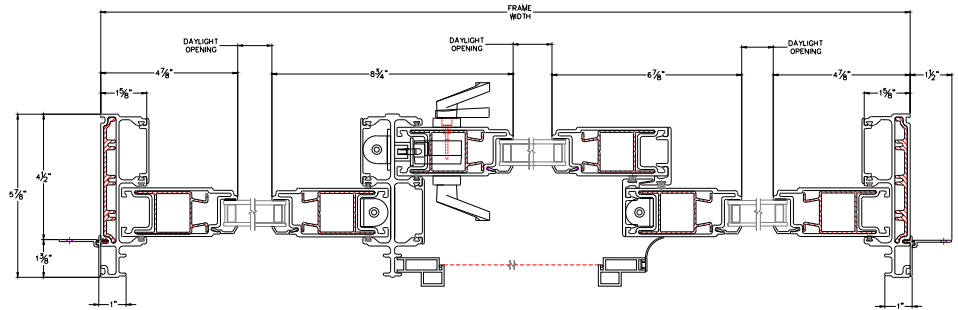
CAD File Scale	View	File Name	Units
NTS	Horizontal & Vertical	3626U-02 FS-OXO	Inch

More Technical Documents can be found at milgard.com/professionals
Due to continual research and development, details may be changed at any time. ©2013 Milgard Mfg.

FRENCH SLIDER SERIES 3626



HEAD & SILL



JAMBS

Revit, SketchUp, .PDF and .DWG files can be accessed at milgard.com/professionals/technical-resources

[Go back to Quick Links](#)

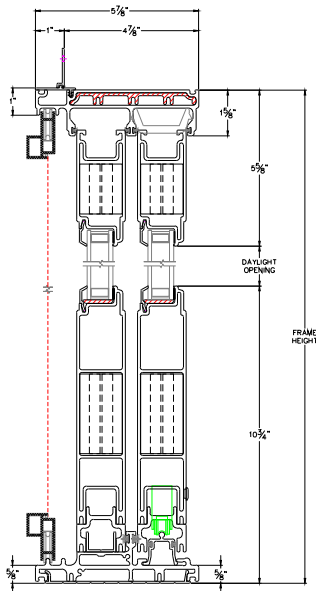
French Rail Sliding Patio Door

OXO - 1" Fin Setback

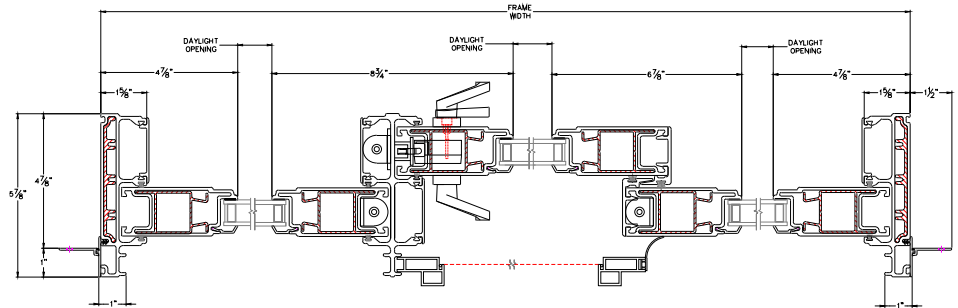
CAD File Scale	View	File Name	Units
NTS	Horizontal & Vertical	3626U-03 FS-OXO	Inch

More Technical Documents can be found at milgard.com/professionals
Due to continual research and development, details may be changed at any time. ©2013 Milgard Mfg.

FRENCH SLIDER SERIES 3626



HEAD & SILL



JAMBS

Revit, SketchUp, .PDF and .DWG files can be accessed at
milgard.com/professionals/technical-resources

[Go back to Quick Links](#)

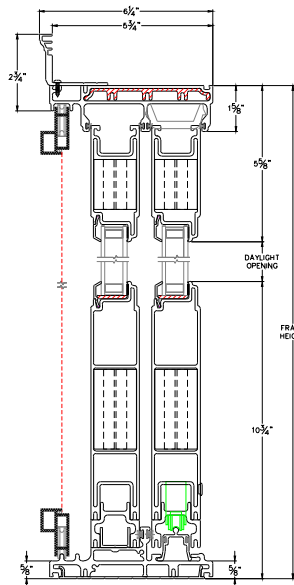
French Rail Sliding Patio Door

OXO - 1-3/4" Z-Bar

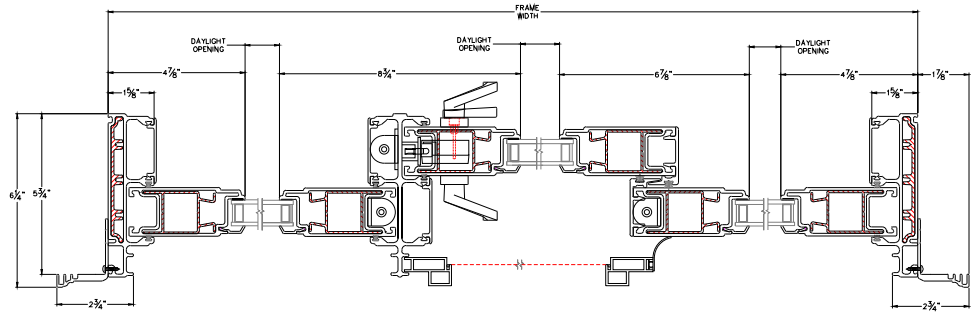
CAD File Scale	View	File Name	Units
NTS	Horizontal & Vertical	3626U-04 FS-OXO	Inch

More Technical Documents can be found at milgard.com/professionals
Due to continual research and development, details may be changed at any time. ©2013 Milgard Mfg.

FRENCH SLIDER SERIES 3626



HEAD & SILL



JAMBS

Revit, SketchUp, .PDF and .DWG files can be accessed at milgard.com/professionals/technical-resources

[Go back to Quick Links](#)

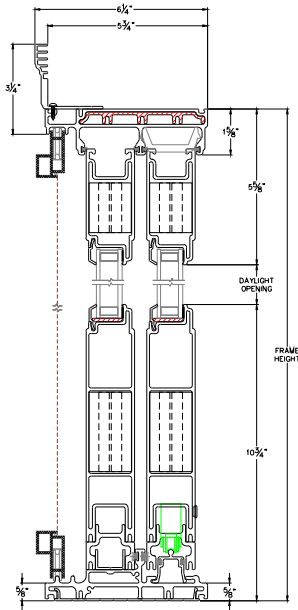
French Rail Sliding Patio Door

OXO - 2-1/4" Z-Bar

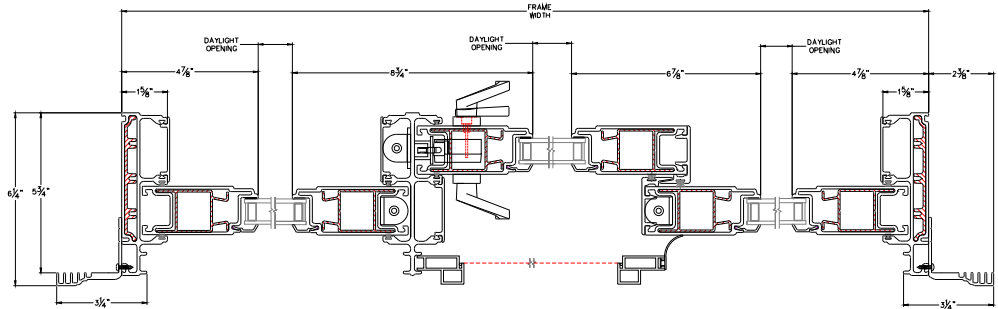
CAD File Scale	View	File Name	Units
NTS	Horizontal & Vertical	3626U-05 FS-OXO	Inch

More Technical Documents can be found at milgard.com/professionals
Due to continual research and development, details may be changed at any time. ©2013 Milgard Mfg.

FRENCH SLIDER SERIES 3626



HEAD & SILL



JAMBS

Revit, SketchUp, .PDF and .DWG files can be accessed at milgard.com/professionals/technical-resources

[Go back to Quick Links](#)

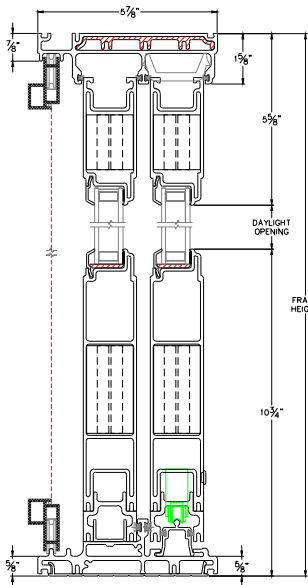
French Rail Sliding Patio Door

OXO - Block Frame

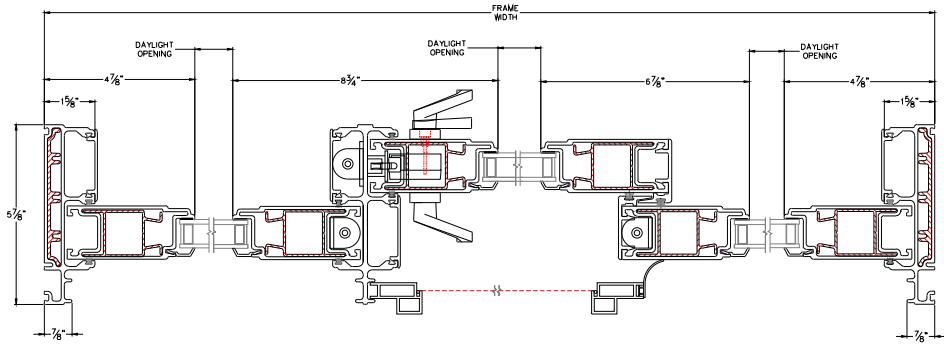
CAD File Scale	View	File Name	Units
NTS	Horizontal & Vertical	3626U-01 FS-OXO	Inch

More Technical Documents can be found at milgard.com/professionals
Due to continual research and development, details may be changed at any time. ©2013 Milgard Mfg.

FRENCH SLIDER SERIES 3626



HEAD & SILL



JAMBS

Revit, SketchUp, .PDF and .DWG files can be accessed at
milgard.com/professionals/technical-resources

[Go back to Quick Links](#)

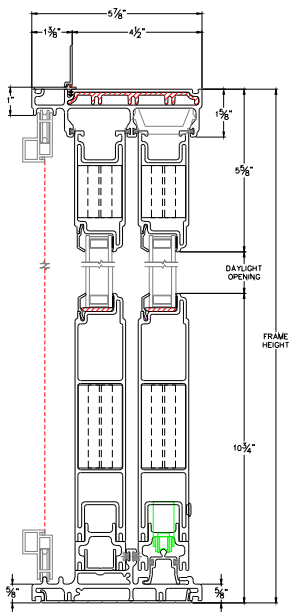
French Rail Sliding Patio Door

OXXO - 1-3/8" Fin Setback

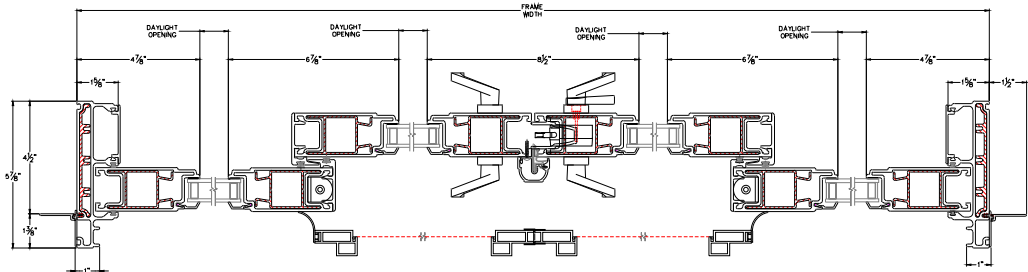
CAD File Scale	View	File Name	Units
NTS	Horizontal & Vertical	3626U-02 FS-OXXO	Inch

More Technical Documents can be found at milgard.com/professionals
Due to continual research and development, details may be changed at any time. ©2013 Milgard Mfg.

FRENCH SLIDER SERIES 3626



HEAD & SILL



JAMBS

Revit, SketchUp, .PDF and .DWG files can be accessed at
milgard.com/professionals/technical-resources

[Go back to Quick Links](#)

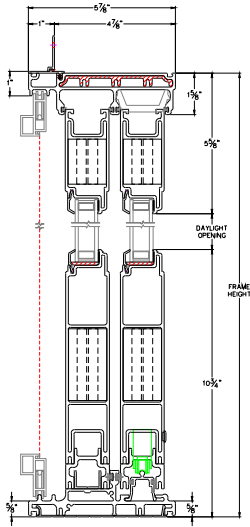
French Rail Sliding Patio Door

OXXO - 1" Fin Setback

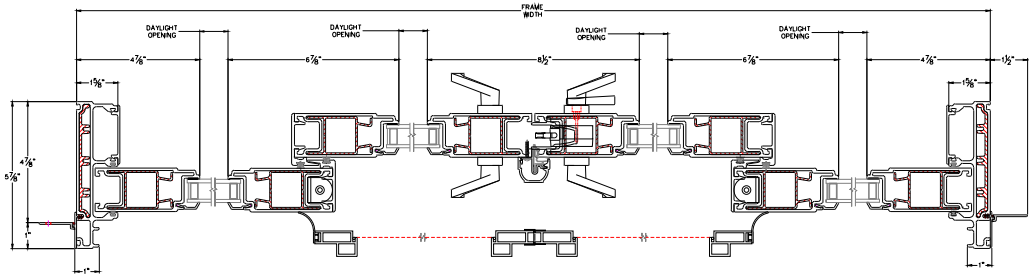
CAD File Scale	View	File Name	Units
NTS	Horizontal & Vertical	3626U-03 FS-OXXO	Inch

More Technical Documents can be found at milgard.com/professionals
Due to continual research and development, details may be changed at any time. ©2013 Milgard Mfg.

FRENCH SLIDER SERIES 3626



HEAD & SILL



JAMBS

Revit, SketchUp, .PDF and .DWG files can be accessed at milgard.com/professionals/technical-resources

[Go back to Quick Links](#)

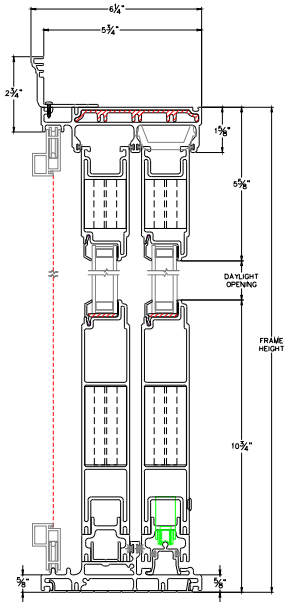
French Rail Sliding Patio Door

OXXO - 1-3/4" Z-Bar

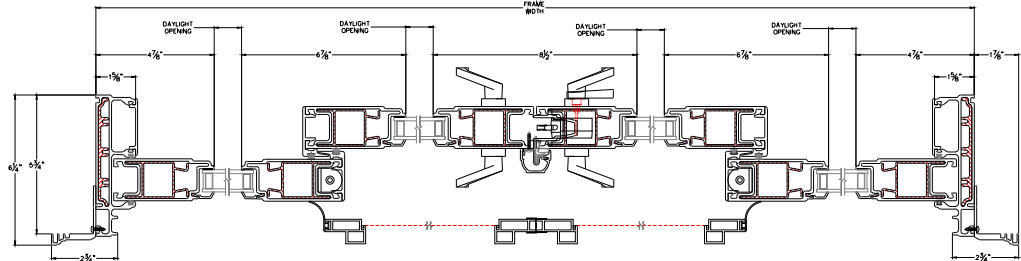
CAD File Scale	View	File Name	Units
NTS	Horizontal & Vertical	3626U-04 FS-OXXO	Inch

More Technical Documents can be found at milgard.com/professionals
Due to continual research and development, details may be changed at any time. ©2013 Milgard Mfg.

FRENCH SLIDER SERIES 3626



HEAD & SILL



JAMBS

Revit, SketchUp, .PDF and .DWG files can be accessed at milgard.com/professionals/technical-resources

[Go back to Quick Links](#)

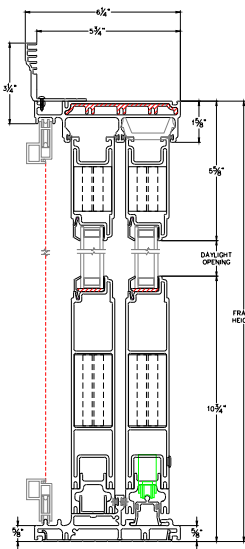
French Rail Sliding Patio Door

OXXO - 2-1/4" Z-Bar

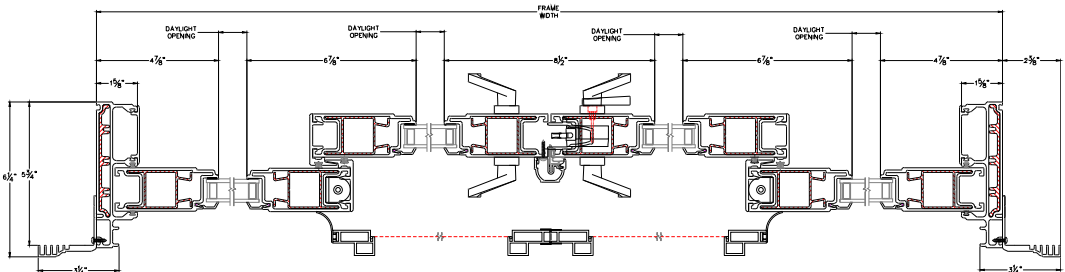
CAD File Scale	View	File Name	Units
NTS	Horizontal & Vertical	3626U-05 FS-OXXO	Inch

More Technical Documents can be found at milgard.com/professionals
Due to continual research and development, details may be changed at any time. ©2013 Milgard Mfg.

FRENCH SLIDER SERIES 3626



HEAD & SILL



JAMBS

Revit, SketchUp, .PDF and .DWG files can be accessed at milgard.com/professionals/technical-resources

[Go back to Quick Links](#)

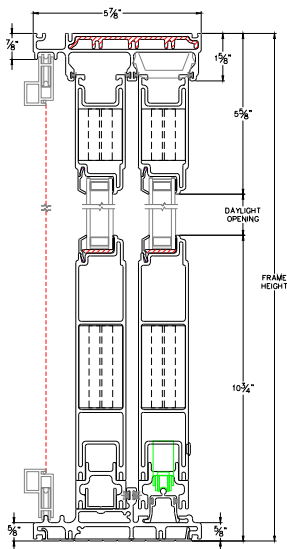
French Rail Sliding Patio Door

OXXO - Block Frame

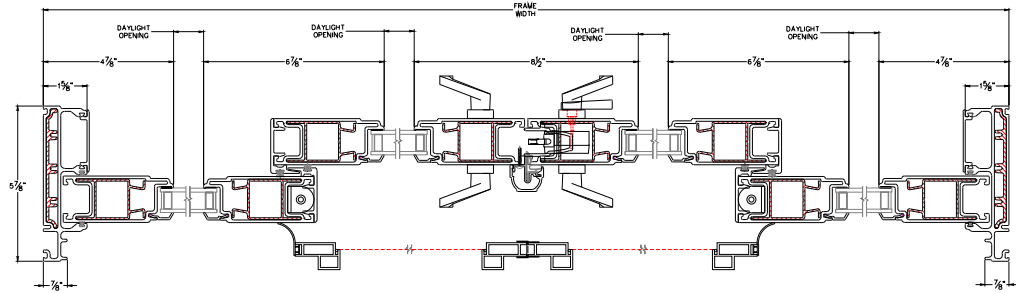
CAD File Scale	View	File Name	Units
NTS	Horizontal & Vertical	3626U-01 FS-OXXO	Inch

More Technical Documents can be found at milgard.com/professionals
Due to continual research and development, details may be changed at any time. ©2013 Milgard Mfg.

FRENCH SLIDER SERIES 3626



HEAD & SILL



JAMBS

Revit, SketchUp, .PDF and .DWG files can be accessed at
milgard.com/professionals/technical-resources

[Go back to Quick Links](#)

Swing Patio Doors



Ultra Series fiberglass windows and doors offer outstanding insulating properties and low maintenance, plus they stand up to weather, insects, and ultraviolet rays, and maintain their beauty through every season. The doors will maintain their color and shape and can be constructed to your exact size specifications, subject to engineering review. All Milgard Ultra Series doors are made to order at no additional charge.

Please also see:

[Door Hardware](#)

[Frame Colors](#)

[Lifetime Limited Warranty](#)

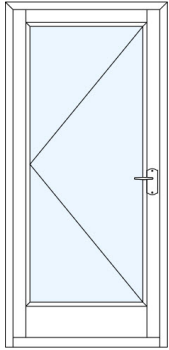
[Energy Packages](#)

[Accessories](#)

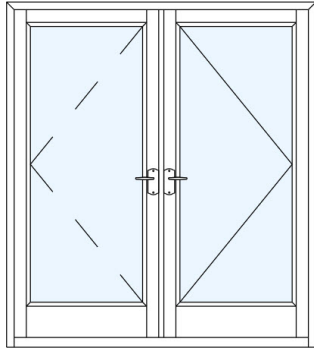


Swing Patio Door

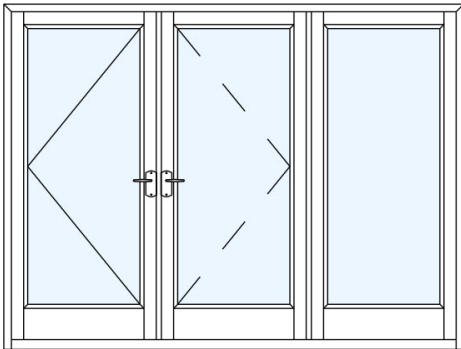
Configurations



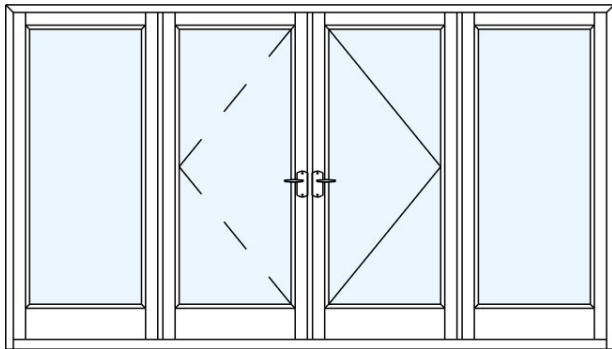
1 Panel



2 Panel



3 Panel



4 Panel

Minimum/Maximum Sizes

IN-SWING DOOR

- 1 Panel	Min 2' 6"	Max 3' 8"
- 2 Panel	Min 5' 6"	Max 6' 8"
- 3 Panel	Min 7' 6"	Max 9' 8"
- 4 Panel	Min 10' 6"	Max 12' 8"

OUT-SWING DOOR

- 1 Panel	Min 1' 6"	Max 3' 8"
- 2 Panel	Min 5' 6"	Max 6' 8"
- 3 Panel	Min 7' 6"	Max 9' 8"
- 4 Panel	Min 10' 6"	Max 12' 8"

Other

- 1, 2, 3, 4 - panel
- Any panels can be active, passive or operable
- Transoms, fixed and operable sidelites available
- Special size doors available*
- Keyed lock available (Schlage®-compatible)
- Frame depth 4-9/16" or 6-9/16"
- Overall glass thickness 7/8"
- Door hand to be determined when ordering
- Door hand viewed from exterior

NOTE: For engineering approval contact your Milgard representative for any configuration over 40 square feet. Each Milgard Manufacturing plant reserves the right to alter or change sizes and configurations according to location capabilities. Ask your Milgard rep about specialty applications. Windows over 40 square feet shipped open for field glazing. Varies by location.

Not all frame styles available at all Milgard locations. Contact your Milgard Representative for more information.

Drawings - Quick Links

In-Swing Patio Door

103—O - 1-3/8" Fin Setback
104—O - 1" Fin Setback
105—O - 1-3/4" Z-Bar
106—O - 2-1/4" Z-Bar
107—O - Block Frame
108—OX - 1-3/8" Fin Setback
109—OX - 1" Fin Setback
110—OX - 1-3/4" Z-Bar
111—OX - 2-1/4" Z-Bar
112—OX - Block Frame
113—OXO - 1-3/8" Fin Setback
114—OXO - 1" Fin Setback
115—OXO - 1-3/4" Z-Bar
116—OXO - 2-1/4" Z-Bar
117—OXO - Block Frame
118—OXXO - 1-3/8" Fin Setback
119—OXXO - 1" Fin Setback
120—OXXO - 1-3/4" Z-Bar
121—OXXO - 2-1/4" Z-Bar
122—OXXO - Block Frame

Out-Swing Patio Door

123—O - 1-3/8" Fin Setback
124—O - 1" Fin Setback
125—O - 1-3/4" Z-Bar
126—O - 2-1/4" Z-Bar
127—O - Block Frame
128—OX - 1-3/8" Fin Setback
129—OX - 1" Fin Setback
130—OX - 1-3/4" Z-Bar
131—OX - 2-1/4" Z-Bar
132—OX - Block Frame
133—OXX - 1-3/8" Fin Setback
134—OXX - 1" Fin Setback
135—OXX - 1-3/4" Z-Bar
136—OXX - 2-1/4" Z-Bar
137—OXX - Block Frame
138—OXXO - 1-3/8" Fin Setback
139—OXXO - 1" Fin Setback
140—OXXO - 1-3/4" Z-Bar
141—OXXO - 2-1/4" Z-Bar
142—OXXO - Block Frame

Revit, SketchUp, .PDF and .DWG files can be accessed at
milgard.com/professionals/technical-resources

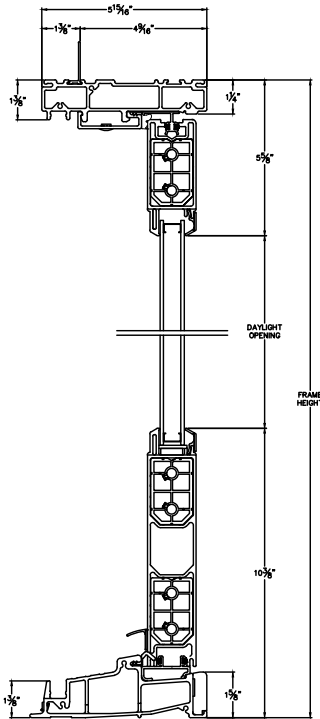
In-Swing Patio Door

O - 1-3/8" Fin Setback

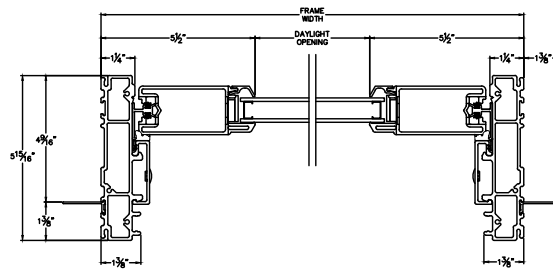
CAD File Scale	View	File Name	Units	Revision
NTS	Horizontal & Vertical	Ultra_3642U_IS_O_1.375in_4.563frame	Inch	06/2016

More Technical Documents can be found at milgard.com/professionals
Due to continual research and development, details may be changed at any time. ©2013 Milgard Mfg.

INSWING FIXED SERIES 3642



HEAD & SILL



JAMBS

Revit, SketchUp, .PDF and .DWG files can be accessed at
milgard.com/professionals/technical-resources

[Go back to Quick Links](#)

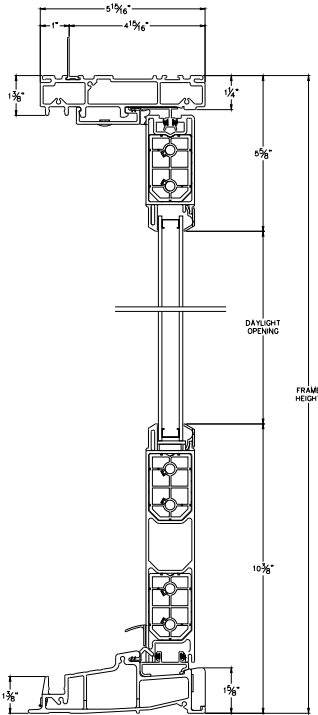
In-Swing Patio Door

O - 1" Fin Setback

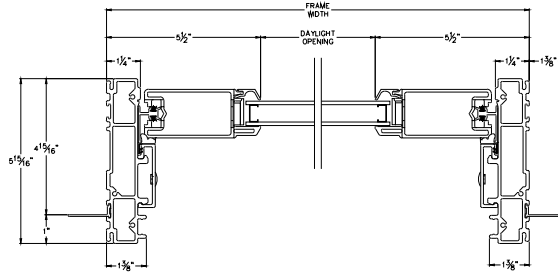
CAD File Scale	View	File Name	Units	Revision
NTS	Horizontal & Vertical	Ultra_3642U_IS_O_1inNFS	Inch	06/2016

More Technical Documents can be found at milgard.com/professionals
Due to continual research and development, details may be changed at any time. ©2013 Milgard Mfg.

INSWING SERIES 3642



HEAD & SILL



JAMBS

Revit, SketchUp, .PDF and .DWG files can be accessed at milgard.com/professionals/technical-resources

[Go back to Quick Links](#)

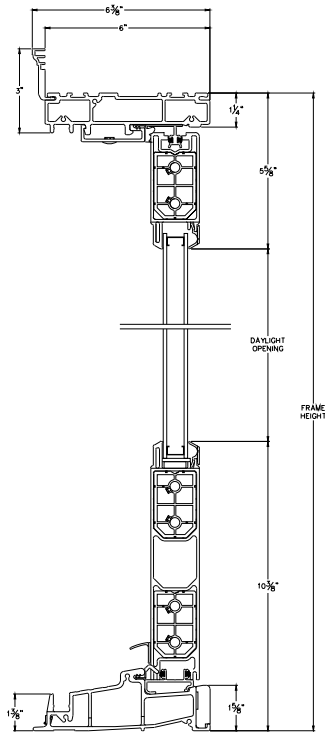
In-Swing Patio Door

O - 1-3/4" Z-Bar

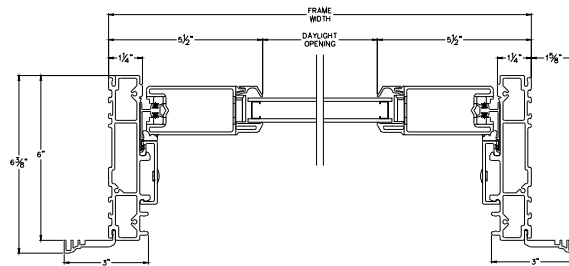
CAD File Scale	View	File Name	Units	Revision
NTS	Horizontal & Vertical	Ultra_3642U_IS_O_1.75in_z-bar	Inch	06/2016

More Technical Documents can be found at milgard.com/professionals
Due to continual research and development, details may be changed at any time. ©2013 Milgard Mfg.

INSWING FIXED SERIES 3642



HEAD & SILL



JAMBS

Revit, SketchUp, .PDF and .DWG files can be accessed at milgard.com/professionals/technical-resources

[Go back to Quick Links](#)

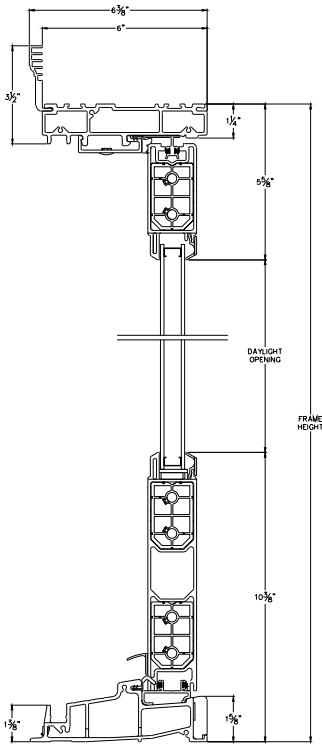
In-Swing Patio Door

O - 2-1/4" Z-Bar

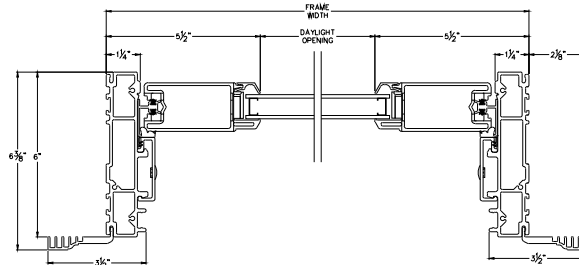
CAD File Scale	View	File Name	Units	Revision
NTS	Horizontal & Vertical	Ultra_3642U_IS_O_2.25in_z-bar	Inch	06/2016

More Technical Documents can be found at milgard.com/professionals
Due to continual research and development, details may be changed at any time. ©2013 Milgard Mfg.

INSWING FIXED SERIES 3642



HEAD & SILL



JAMBS

Revit, SketchUp, .PDF and .DWG files can be accessed at milgard.com/professionals/technical-resources

[Go back to Quick Links](#)

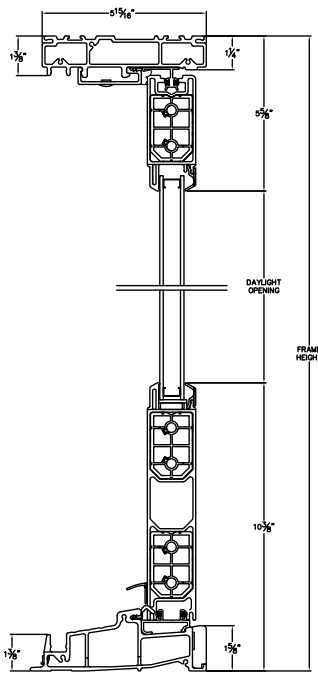
In-Swing Patio Door

O - Block Frame

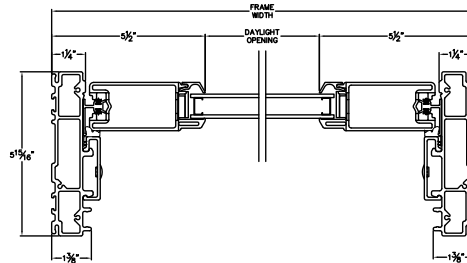
CAD File Scale	View	File Name	Units	Revision
NTS	Horizontal & Vertical	Ultra_3642U_IS_O_block_4.563frame	Inch	12/2015

More Technical Documents can be found at milgard.com/professionals
Due to continual research and development, details may be changed at any time. ©2013 Milgard Mfg.

IN SWING FIXED SERIES 3642



HEAD & SILL



JAMBS

Revit, SketchUp, .PDF and .DWG files can be accessed at milgard.com/professionals/technical-resources

[Go back to Quick Links](#)

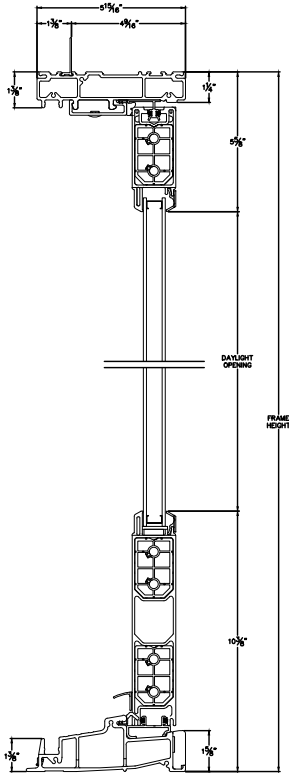
In-Swing Patio Door

OX - 1-3/8" Fin Setback

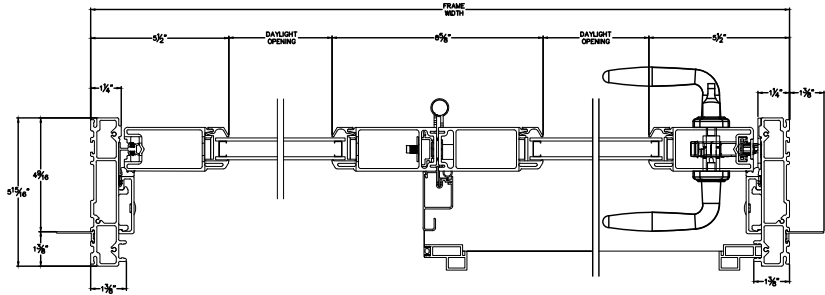
CAD File Scale	View	File Name	Units	Revision
NTS	Horizontal & Vertical	Ultra_3642U_IS_OI_1.375in_4.563frame	Inch	06/2016

More Technical Documents can be found at milgard.com/professionals
Due to continual research and development, details may be changed at any time. ©2013 Milgard Mfg.

INSWING SERIES 3642



HEAD & SILL



JAMBS

Revit, SketchUp, .PDF and .DWG files can be accessed at
milgard.com/professionals/technical-resources

[Go back to Quick Links](#)

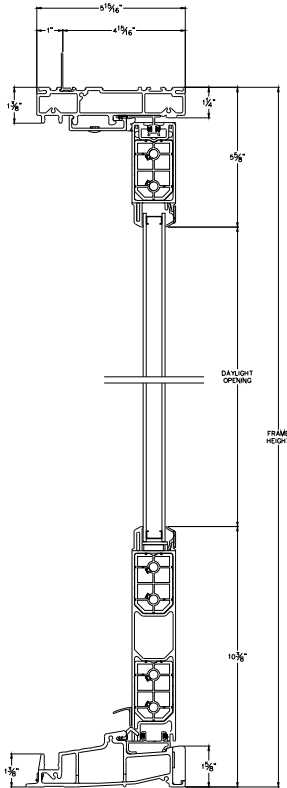
In-Swing Patio Door

OX - 1" Fin Setback

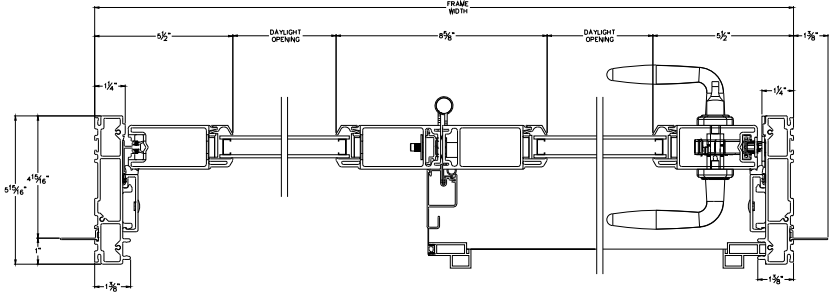
CAD File Scale	View	File Name	Units	Revision
NTS	Horizontal & Vertical	Ultra_3642U_IS_OL_1inNFS	Inch	06/2016

More Technical Documents can be found at milgard.com/professionals
Due to continual research and development, details may be changed at any time. ©2013 Milgard Mfg.

INSWING SERIES 3642



HEAD & SILL



JAMBS

Revit, SketchUp, .PDF and .DWG files can be accessed at
milgard.com/professionals/technical-resources

[Go back to Quick Links](#)

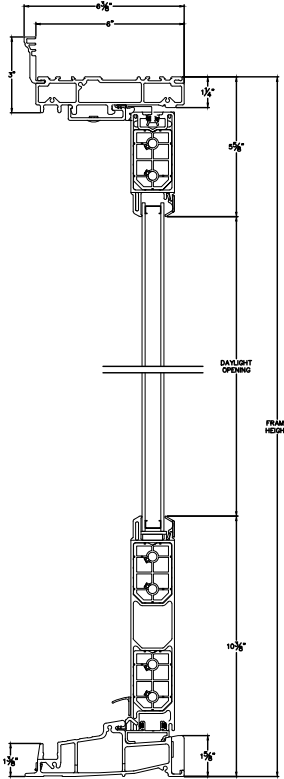
In-Swing Patio Door

OX - 1-3/4" Z-Bar

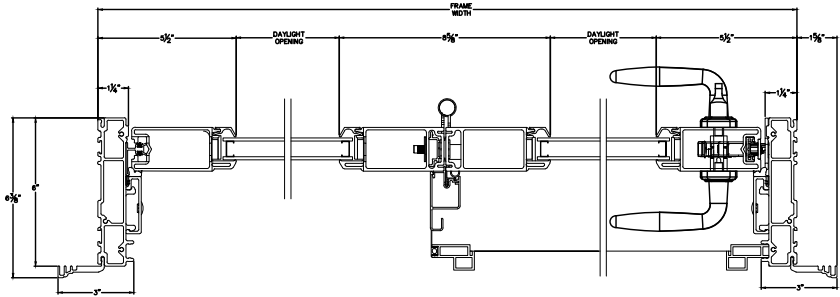
CAD File Scale	View	File Name	Units	Revision
NTS	Horizontal & Vertical	Ultra_3642U_IS_Ol_1.75in_z-bar	Inch	06/2016

More Technical Documents can be found at milgard.com/professionals
Due to continual research and development, details may be changed at any time. ©2013 Milgard Mfg.

INSWING SERIES 3642



HEAD & SILL



JAMBS

Revit, SketchUp, .PDF and .DWG files can be accessed at milgard.com/professionals/technical-resources

[Go back to Quick Links](#)

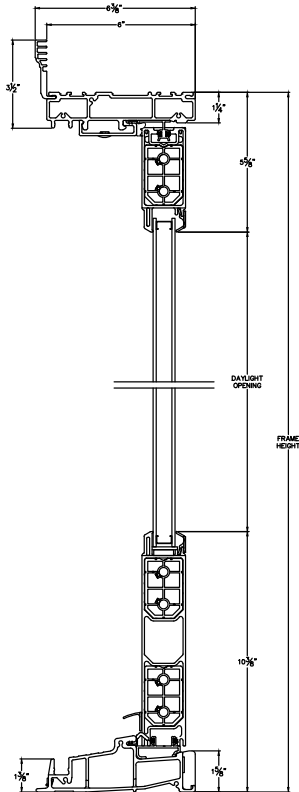
In-Swing Patio Door

OX - 2-1/4" Z-Bar

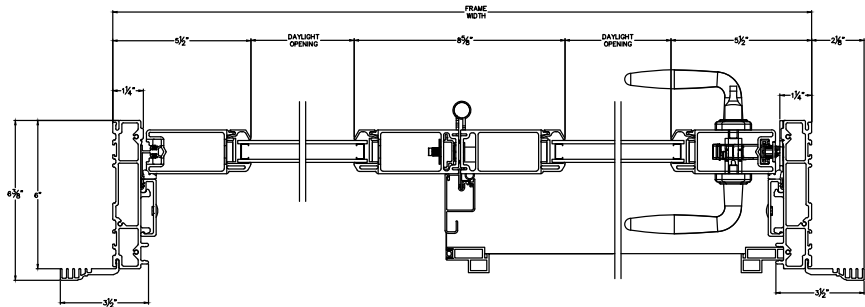
CAD File Scale	View	File Name	Units	Revision
NTS	Horizontal & Vertical	Ultra_3642U_IS_OL_2.25in_z-bar	Inch	06/2016

More Technical Documents can be found at milgard.com/professionals
Due to continual research and development, details may be changed at any time. ©2013 Milgard Mfg.

INSWING SERIES 3642



HEAD & SILL



JAMBS

Revit, SketchUp, .PDF and .DWG files can be accessed at
milgard.com/professionals/technical-resources

[Go back to Quick Links](#)

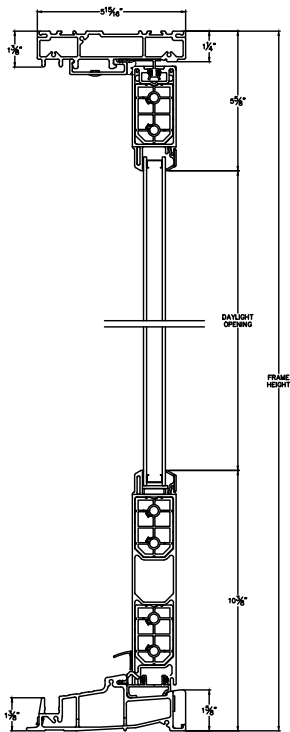
In-Swing Patio Door

OX - Block Frame

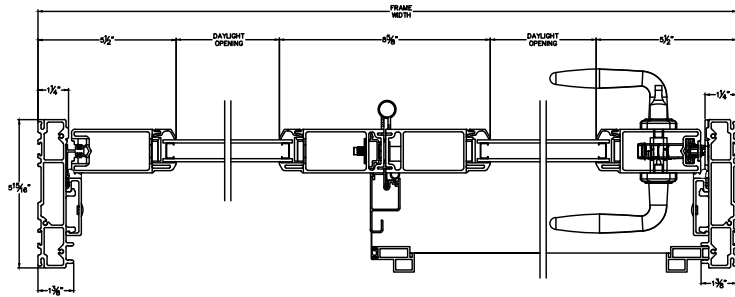
CAD File Scale	View	File Name	Units	Revision
NTS	Horizontal & Vertical	Ultra_3642U_IS_OL_block_4.563frame	Inch	06/2016

More Technical Documents can be found at milgard.com/professionals
Due to continual research and development, details may be changed at any time. ©2013 Milgard Mfg.

INSWING SERIES 3642



HEAD & SILL



JAMBS

Revit, SketchUp, .PDF and .DWG files can be accessed at
milgard.com/professionals/technical-resources

[Go back to Quick Links](#)

In-Swing Patio Door

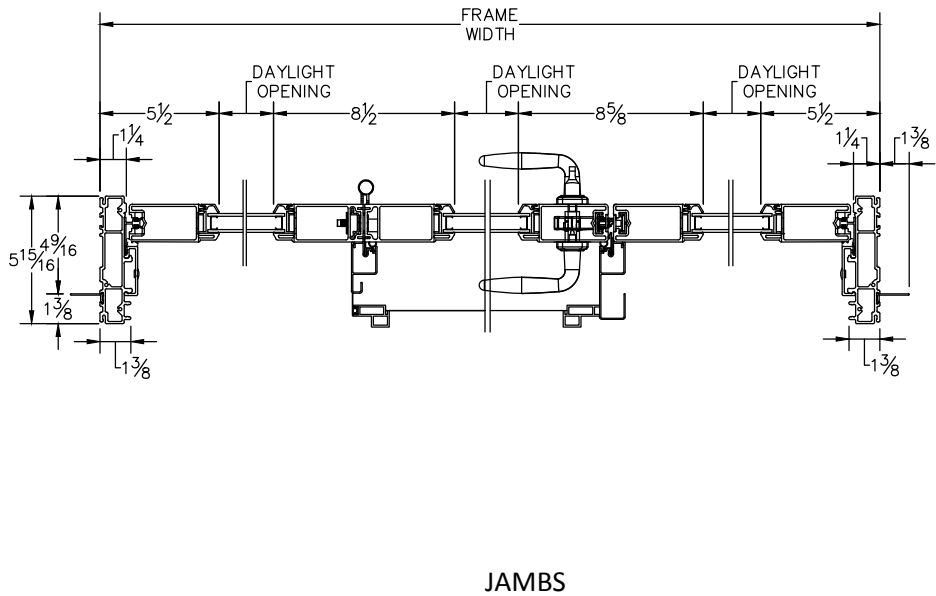
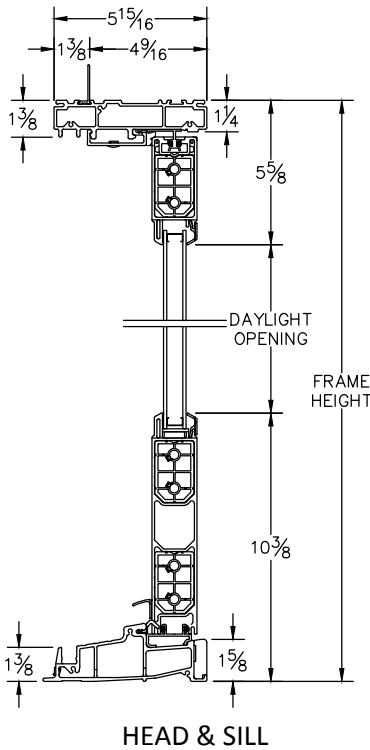
OXO - 1-3/8" Fin Setback

CAD FILE SCALE	CAD FILE SCALE	FILE NAME	UNITS	REVISION
NTS	HORIZONTAL & VERTICAL	Ultra_3642U_IS_OLO_1.375in_4.563frame	INCH	07/2016

MORE TECHNICAL DOCUMENTS CAN BE FOUND AT MILGARD.COM/PROFESSIONALS

DUE TO CONTINUAL RESEARCH AND DEVELOPMENT, DETAILS MAY BE CHANGED AT ANY TIME. © 2016 MILGARD MFG.

INSWING SERIES 3642



Revit, SketchUp, .PDF and .DWG files can be accessed at
milgard.com/professionals/technical-resources

[Go back to Quick Links](#)

In-Swing Patio Door

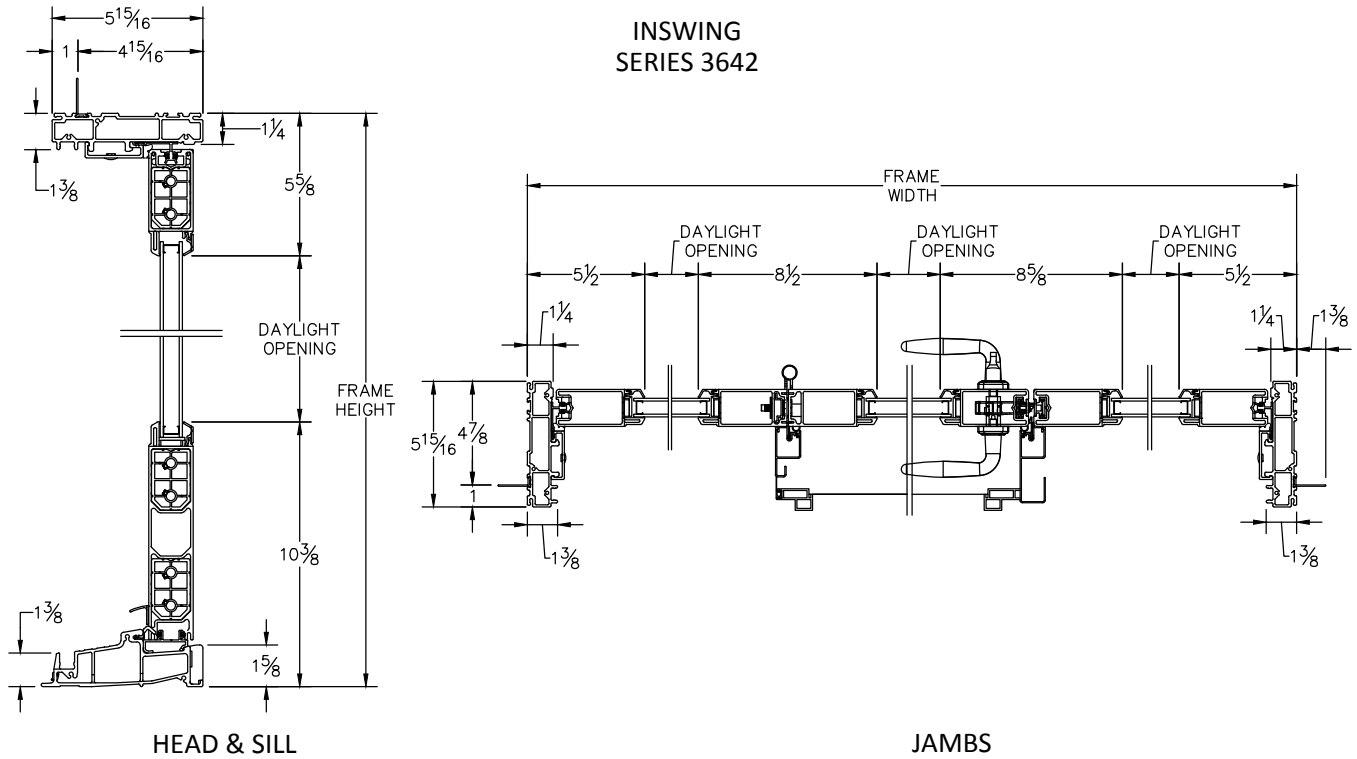
OXO - 1" Fin Setback

CAD FILE SCALE	CAD FILE SCALE	FILE NAME	UNITS	REVISION
NTS	HORIZONTAL & VERTICAL	Ultra_3642U_IS_OLO_1inNFS	INCH	07/2016

MORE TECHNICAL DOCUMENTS CAN BE FOUND AT MILGARD.COM/PROFESSIONALS

DUE TO CONTINUAL RESEARCH AND DEVELOPMENT, DETAILS MAY BE CHANGED AT ANY TIME. © 2016 MILGARD MFG.

INSWING SERIES 3642



Revit, SketchUp, .PDF and .DWG files can be accessed at milgard.com/professionals/technical-resources

[Go back to Quick Links](#)

In-Swing Patio Door

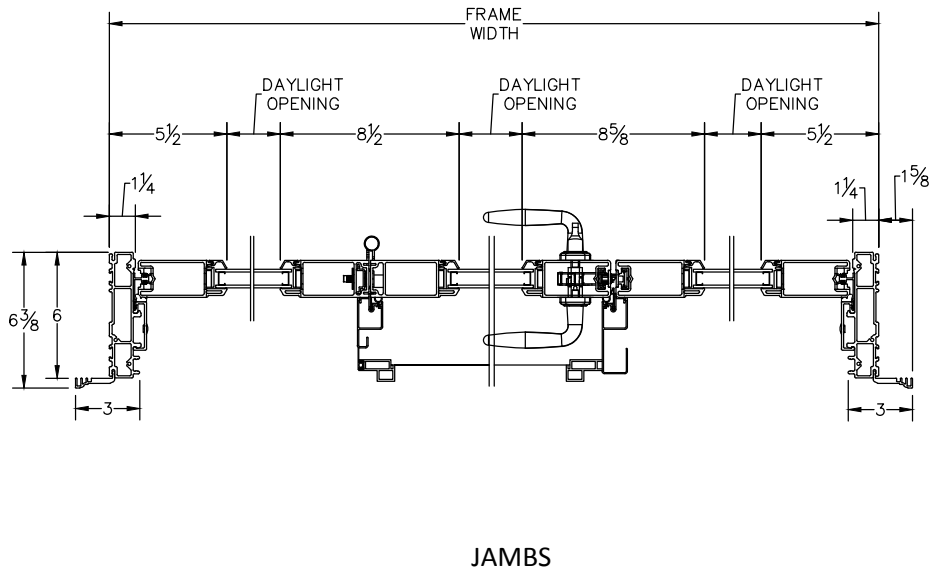
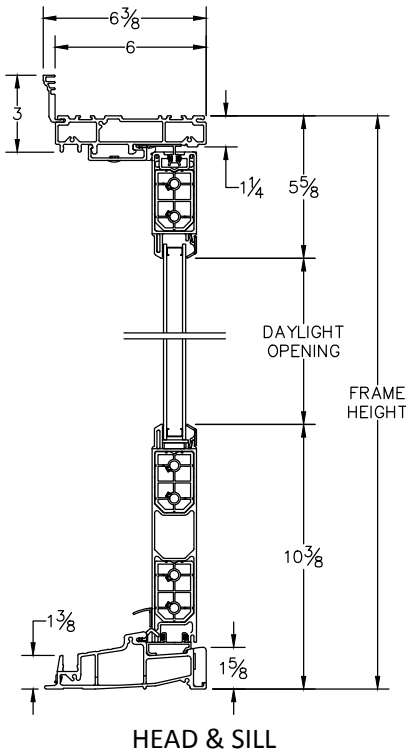
OXO - 1-3/4" Z-Bar

CAD FILE SCALE	CAD FILE SCALE	FILE NAME	UNITS	REVISION
NTS	HORIZONTAL & VERTICAL	Ultra_3642U_IS_OLO_1.75in_z-bar	INCH	07/2016

MORE TECHNICAL DOCUMENTS CAN BE FOUND AT MILGARD.COM/PROFESSIONALS

DUE TO CONTINUAL RESEARCH AND DEVELOPMENT, DETAILS MAY BE CHANGED AT ANY TIME. © 2016 MILGARD MFG.

INSWING SERIES 3642



Revit, SketchUp, .PDF and .DWG files can be accessed at milgard.com/professionals/technical-resources

[Go back to Quick Links](#)

In-Swing Patio Door

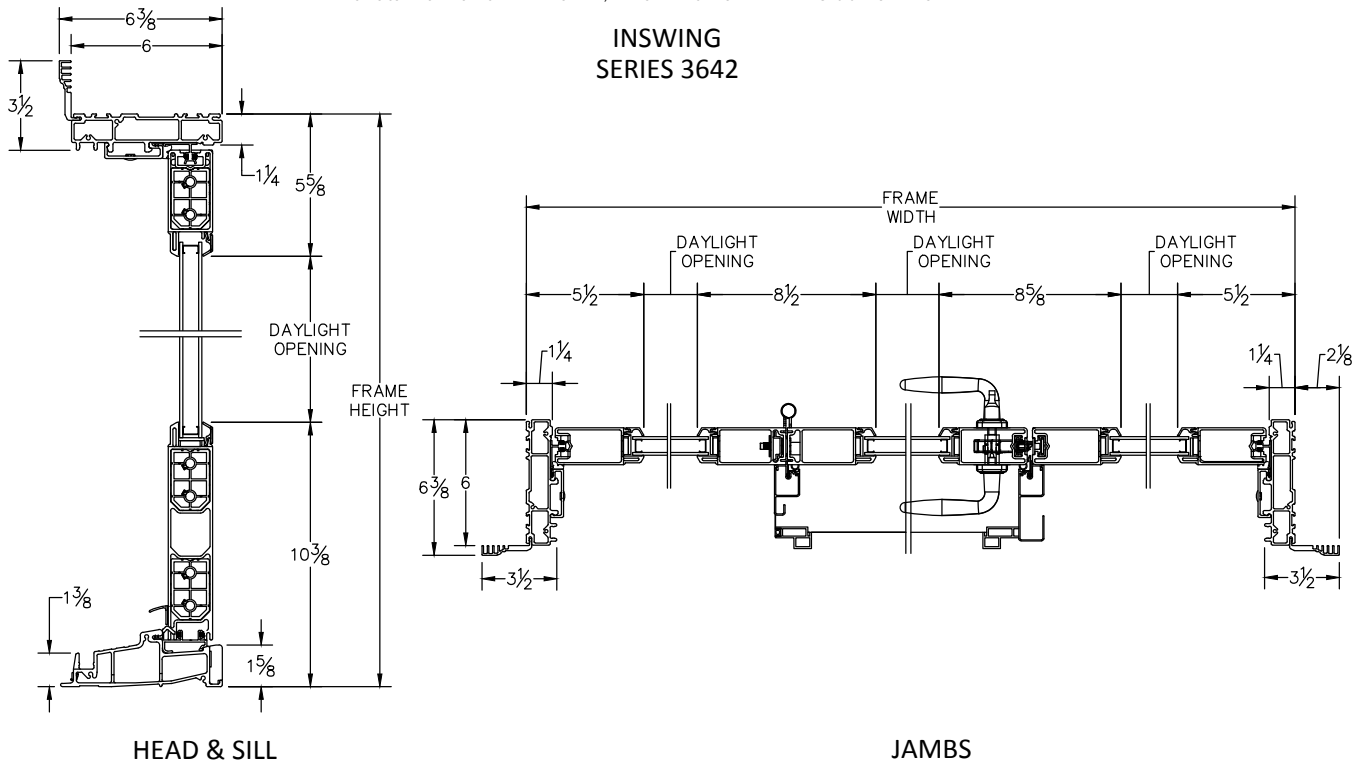
OXO - 2-1/4" Z-Bar

CAD FILE SCALE	CAD FILE SCALE	FILE NAME	UNITS	REVISION
NTS	HORIZONTAL & VERTICAL	Ultra_3642U_IS_OLO_2.25in_z-bar	INCH	07/2016

MORE TECHNICAL DOCUMENTS CAN BE FOUND AT MILGARD.COM/PROFESSIONALS

DUE TO CONTINUAL RESEARCH AND DEVELOPMENT, DETAILS MAY BE CHANGED AT ANY TIME. © 2016 MILGARD MFG.

INSWING SERIES 3642



Revit, SketchUp, .PDF and .DWG files can be accessed at milgard.com/professionals/technical-resources

[Go back to Quick Links](#)

In-Swing Patio Door

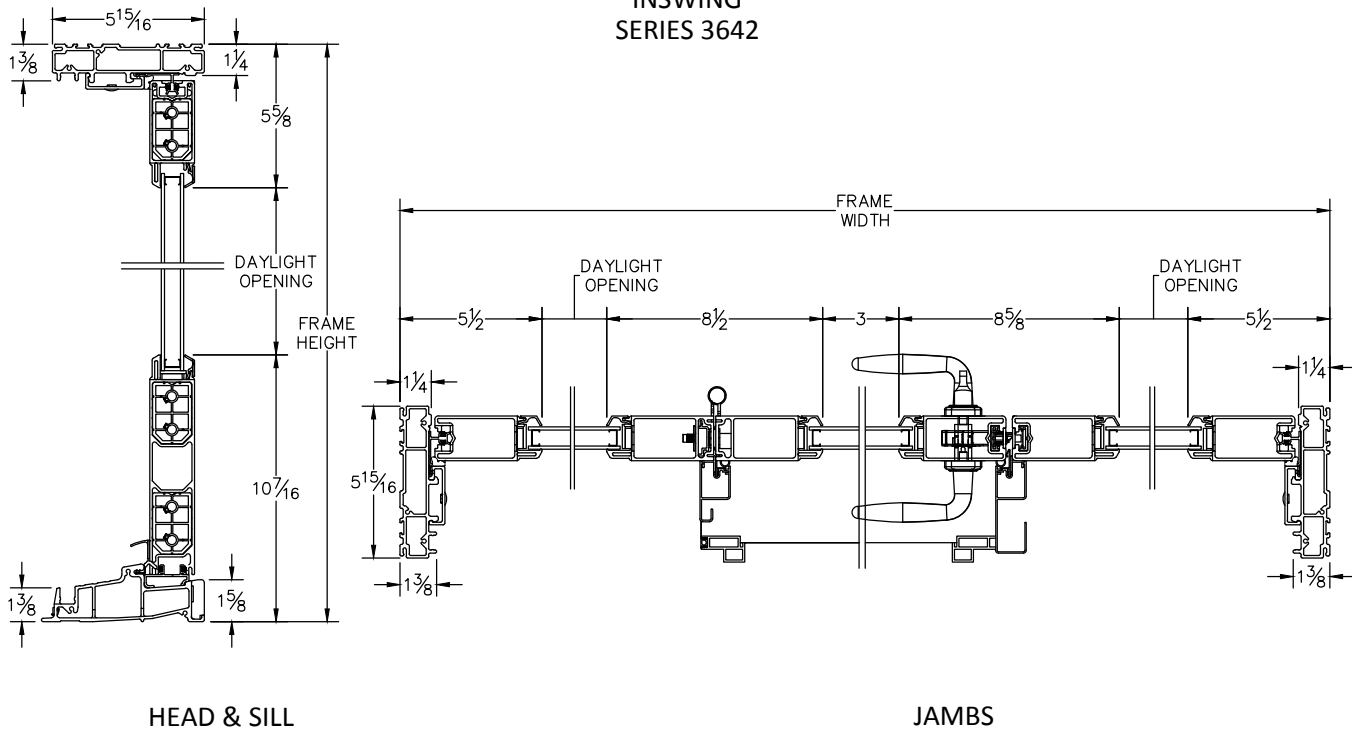
OXO - Block Frame

CAD FILE SCALE	CAD FILE SCALE	FILE NAME	UNITS	REVISION
NTS	HORIZONTAL & VERTICAL	Ultra_3642U_IS_OLO_block_4.563frame	INCH	07/2016

MORE TECHNICAL DOCUMENTS CAN BE FOUND AT MILGARD.COM/PROFESSIONALS

DUE TO CONTINUAL RESEARCH AND DEVELOPMENT, DETAILS MAY BE CHANGED AT ANY TIME. © 2016 MILGARD MFG.

INSWING SERIES 3642



Revit, SketchUp, .PDF and .DWG files can be accessed at milgard.com/professionals/technical-resources

[Go back to Quick Links](#)

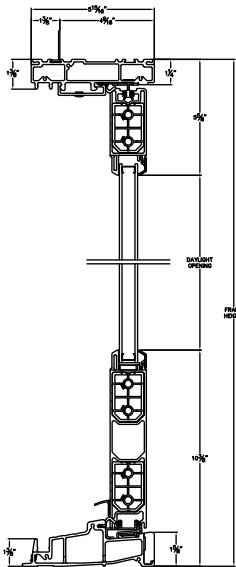
In-Swing Patio Door

OXXO - 1-3/8" Fin Setback

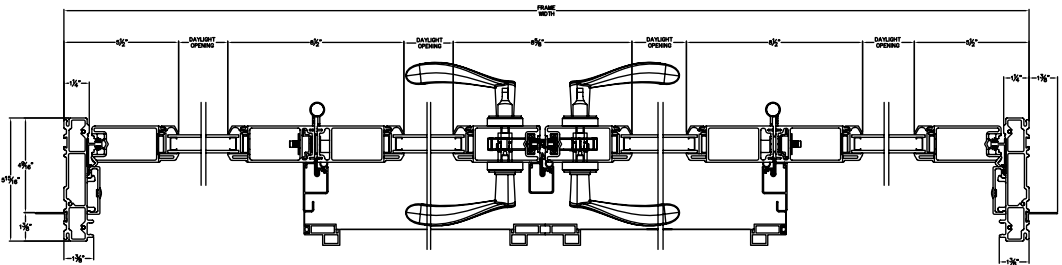
CAD File Scale	View	File Name	Units	Revision
NTS	Horizontal & Vertical	Ultra_3642_IS_OPAO_1.375in_4.563frame	Inch	-

More Technical Documents can be found at milgard.com/professionals
Due to continual research and development, details may be changed at any time. ©2013 Milgard Mfg.

IN SWING SERIES 3642



HEAD & SILL



JAMBS

Revit, SketchUp, .PDF and .DWG files can be accessed at
milgard.com/professionals/technical-resources

[Go back to Quick Links](#)

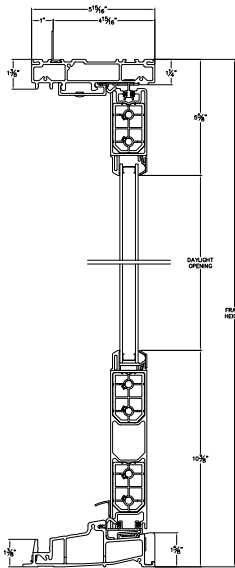
In-Swing Patio Door

OXXO - 1" Fin Setback

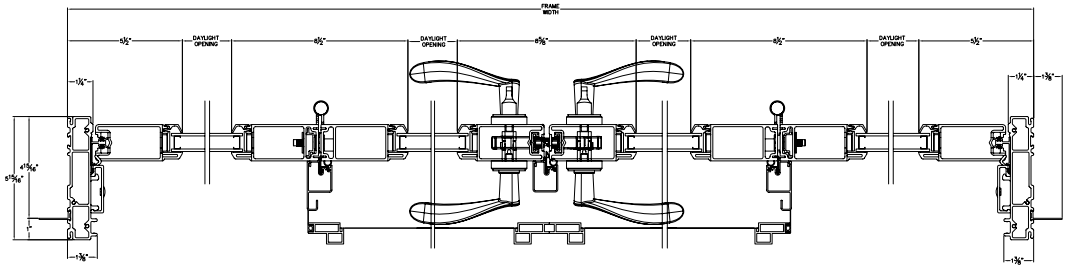
CAD File Scale	View	File Name	Units	Revision
NTS	Horizontal & Vertical	Ultra_3642U_IS_OPAO_1inNFS	Inch	-

More Technical Documents can be found at milgard.com/professionals
Due to continual research and development, details may be changed at any time. ©2013 Milgard Mfg.

INSWING SERIES 3642



HEAD & SILL



JAMBS

Revit, SketchUp, .PDF and .DWG files can be accessed at
milgard.com/professionals/technical-resources

[Go back to Quick Links](#)

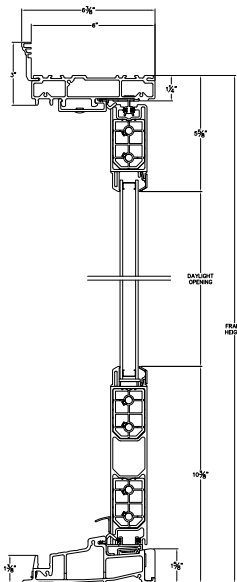
In-Swing Patio Door

OXXO - 1-3/4" Z-Bar

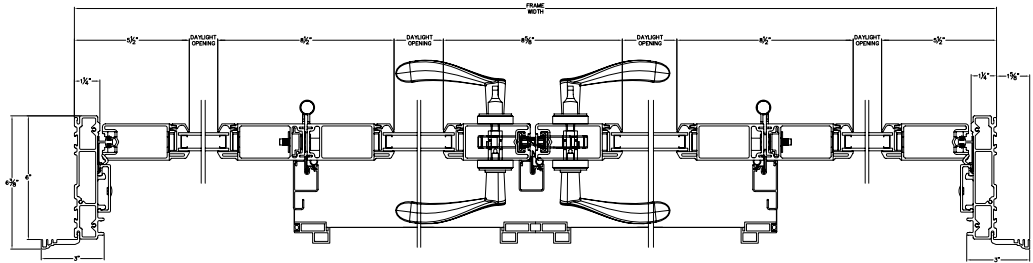
CAD File Scale	View	File Name	Units	Revision
NTS	Horizontal & Vertical	Ultra_3642U_IS_OPAO_1.75in_z-bar	Inch	-

More Technical Documents can be found at milgard.com/professionals
Due to continual research and development, details may be changed at any time. ©2013 Milgard Mfg.

IN SWING SERIES 3642



HEAD & SILL



JAMBS

Revit, SketchUp, .PDF and .DWG files can be accessed at milgard.com/professionals/technical-resources

[Go back to Quick Links](#)

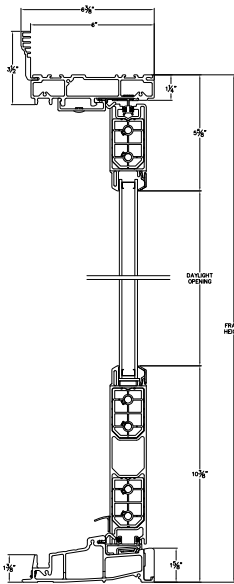
In-Swing Patio Door

OXXO - 2-1/4" Z-Bar

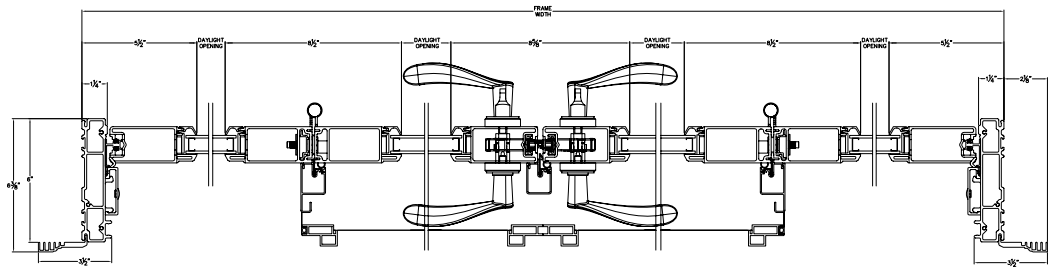
CAD File Scale	View	File Name	Units	Revision
NTS	Horizontal & Vertical	Ultra_3642U_IS_OPAO_2.25in_z-bar	Inch	-

More Technical Documents can be found at milgard.com/professionals
Due to continual research and development, details may be changed at any time. ©2013 Milgard Mfg.

INSWING SERIES 3642



HEAD & SILL



JAMBS

Revit, SketchUp, .PDF and .DWG files can be accessed at
milgard.com/professionals/technical-resources

[Go back to Quick Links](#)

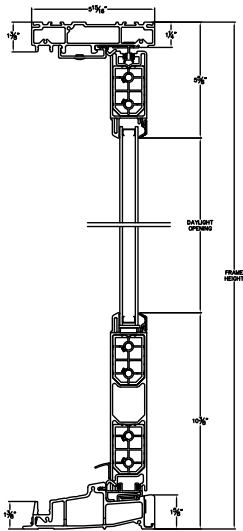
In-Swing Patio Door

OXXO - Block Frame

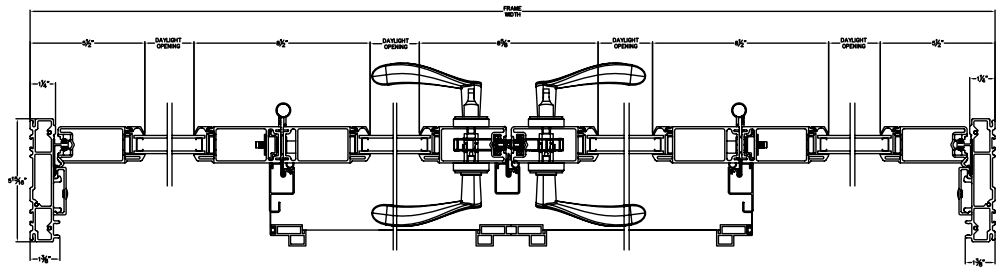
CAD File Scale	View	File Name	Units	Revision
NTS	Horizontal & Vertical	Ultra_3642U_IS_OAPO_block_4.563frame	Inch	-

More Technical Documents can be found at milgard.com/professionals
Due to continual research and development, details may be changed at any time. ©2013 Milgard Mfg.

IN SWING SERIES 3642



HEAD & SILL



JAMBS

Revit, SketchUp, .PDF and .DWG files can be accessed at
milgard.com/professionals/technical-resources

[Go back to Quick Links](#)

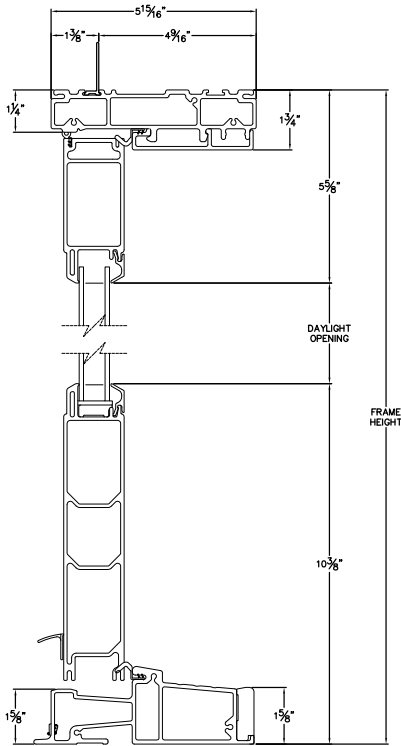
Out-Swing Patio Door

O - 1-3/8" Fin Setback

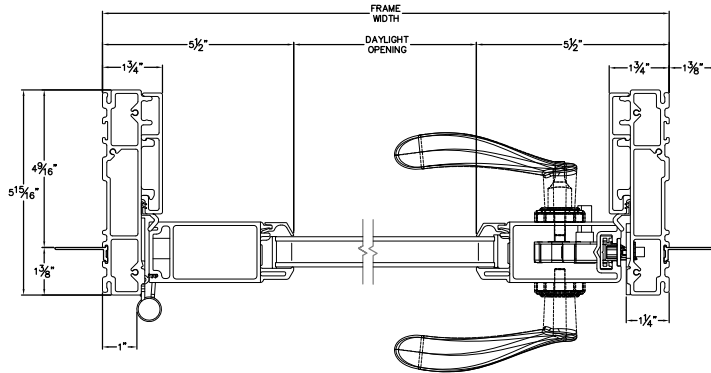
CAD File Scale	View	File Name	Units
NTS	Horizontal & Vertical	Ultra_3645_OS_A_1.375in_4.563wall	Inch

More Technical Documents can be found at milgard.com/professionals
Due to continual research and development, details may be changed at any time. ©2013 Milgard Mfg.

OUT SWING SERIES 3645



HEAD & SILL



JAMBS

Revit, SketchUp, .PDF and .DWG files can be accessed at milgard.com/professionals/technical-resources

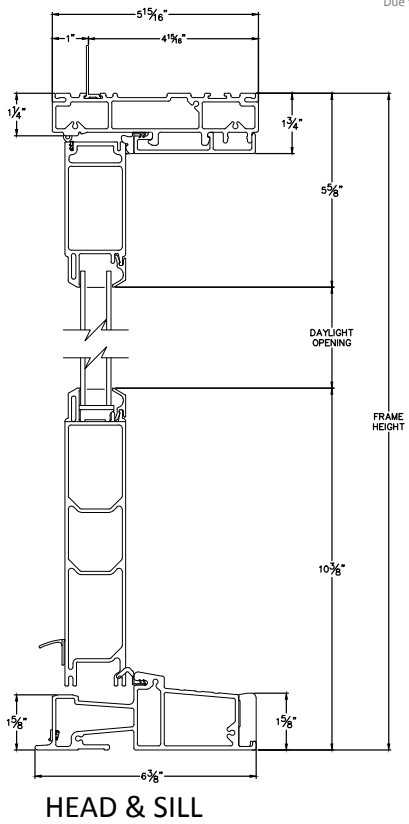
[Go back to Quick Links](#)

Out-Swing Patio Door

O - 1" Fin Setback

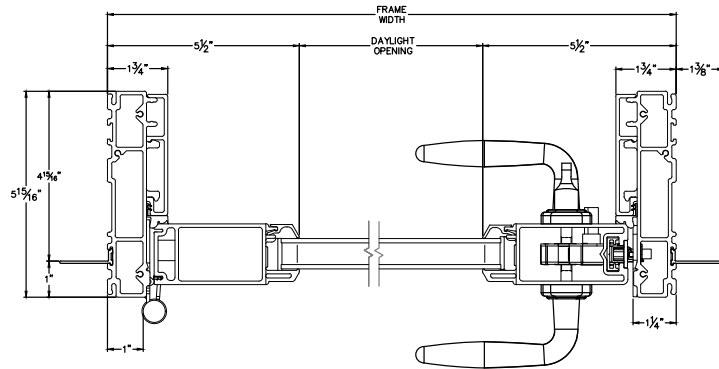
CAD File Scale	View	File Name	Units	Revision
NTS	Horizontal & Vertical	Ultra_3645_OS_A_1in_4.563wall	Inch	06/2016

More Technical Documents can be found at milgard.com/professionals
Due to continual research and development, details may be changed at any time. ©2013 Milgard Mfg.



HEAD & SILL

OUT SWING SERIES 3645



JAMBS

Revit, SketchUp, .PDF and .DWG files can be accessed at
milgard.com/professionals/technical-resources

[Go back to Quick Links](#)

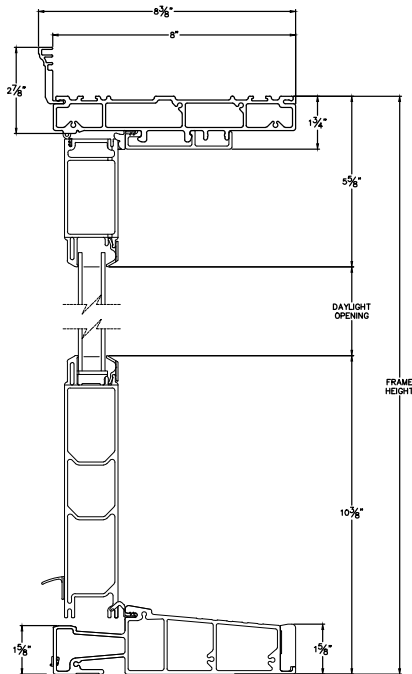
Out-Swing Patio Door

O - 1-3/4" Z-Bar

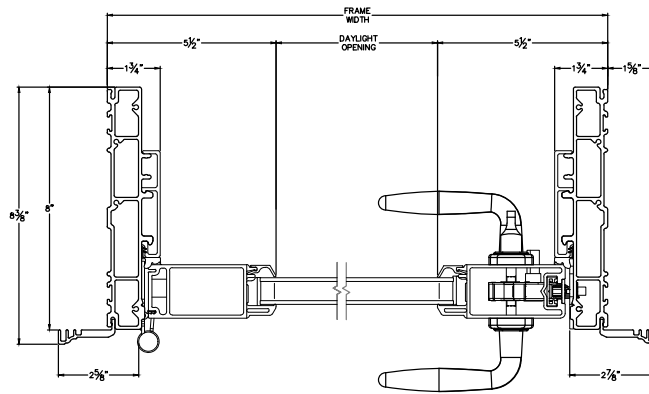
CAD File Scale	View	File Name	Units	Revision
NTS	Horizontal & Vertical	Ultra_3665_OS_A_1.75in-z-bar	Inch	06/2016

More Technical Documents can be found at milgard.com/professionals
Due to continual research and development, details may be changed at any time. ©2013 Milgard Mfg.

OUT SWING SERIES 3665



HEAD & SILL



JAMBS

Revit, SketchUp, .PDF and .DWG files can be accessed at
milgard.com/professionals/technical-resources

[Go back to Quick Links](#)

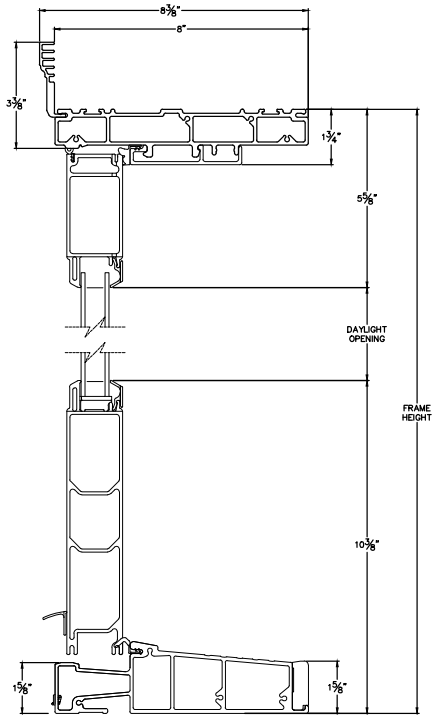
Out-Swing Patio Door

O - 2-1/4" Z-Bar

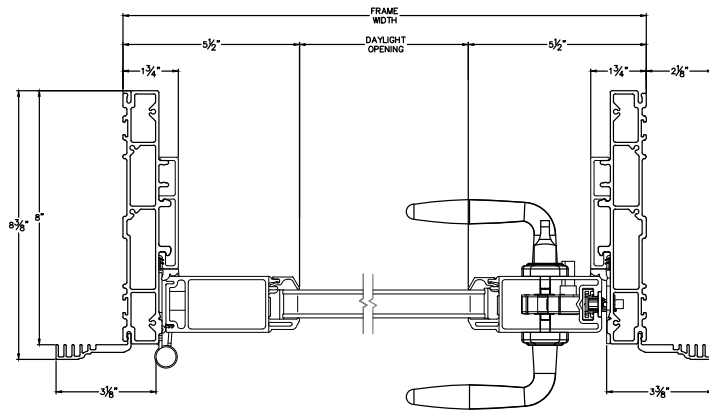
CAD File Scale	View	File Name	Units	Revision
NTS	Horizontal & Vertical	Ultra_3665_OS_A_2.25in-z-bar	Inch	06/2016

More Technical Documents can be found at milgard.com/professionals
Due to continual research and development, details may be changed at any time. ©2013 Milgard Mfg.

OUT SWING SERIES 3665



HEAD & SILL



JAMBS

Revit, SketchUp, .PDF and .DWG files can be accessed at
milgard.com/professionals/technical-resources

[Go back to Quick Links](#)

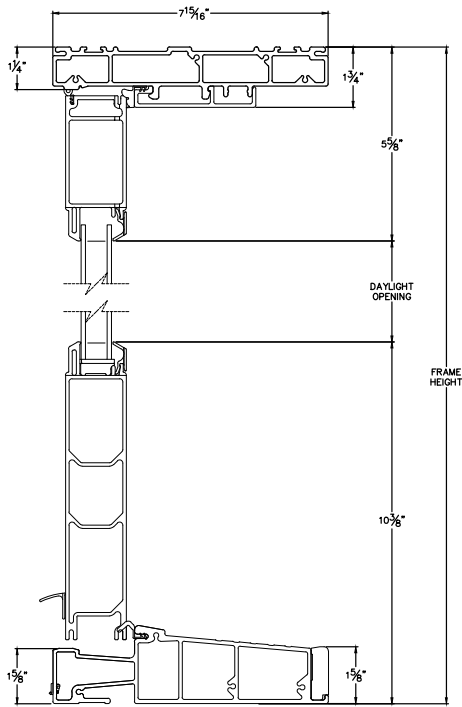
Out-Swing Patio Door

O - Block Frame

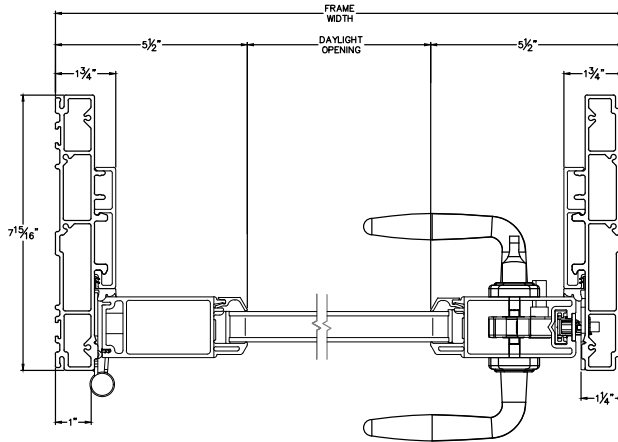
CAD File Scale	View	File Name	Units	Revision
NTS	Horizontal & Vertical	Ultra_3665_OS_A_block	Inch	06/2016

More Technical Documents can be found at milgard.com/professionals
Due to continual research and development, details may be changed at any time. ©2013 Milgard Mfg.

OUT SWING SERIES 3665



HEAD & SILL



JAMBS

Revit, SketchUp, .PDF and .DWG files can be accessed at
milgard.com/professionals/technical-resources

[Go back to Quick Links](#)

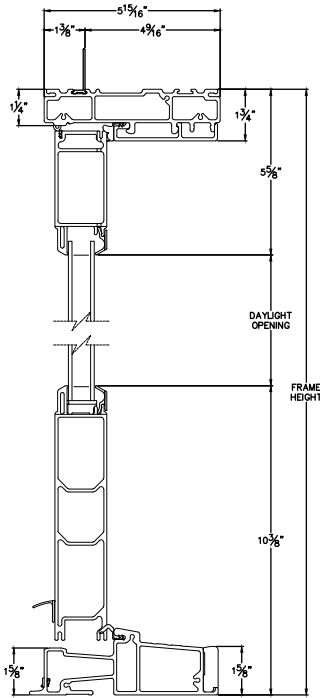
Out-Swing Patio Door

OX - 1-3/8" Fin Setback

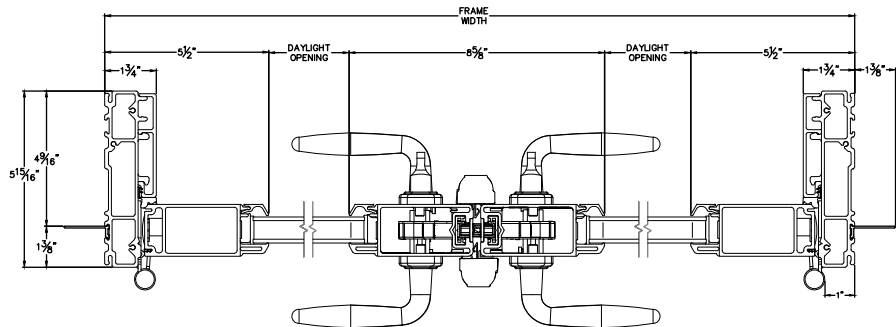
CAD File Scale	View	File Name	Units	REVISION
NTS	Horizontal & Vertical	Ultra_3645_OS_PA_1.375in_4.563wall	Inch	05/2016

More Technical Documents can be found at milgard.com/professionals
Due to continual research and development, details may be changed at any time. ©2013 Milgard Mfg.

OUT SWING SERIES 3645



HEAD & SILL



JAMBS

Revit, SketchUp, .PDF and .DWG files can be accessed at milgard.com/professionals/technical-resources

[Go back to Quick Links](#)

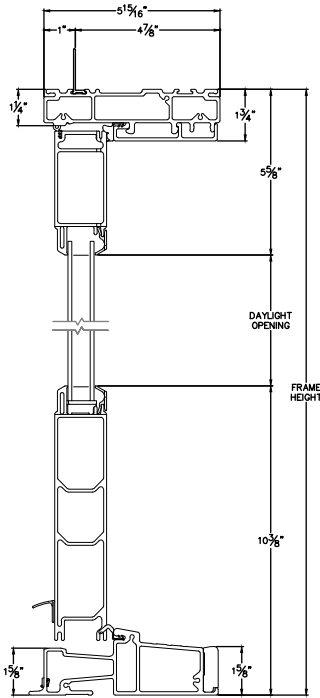
Out-Swing Patio Door

OX - 1" Fin Setback

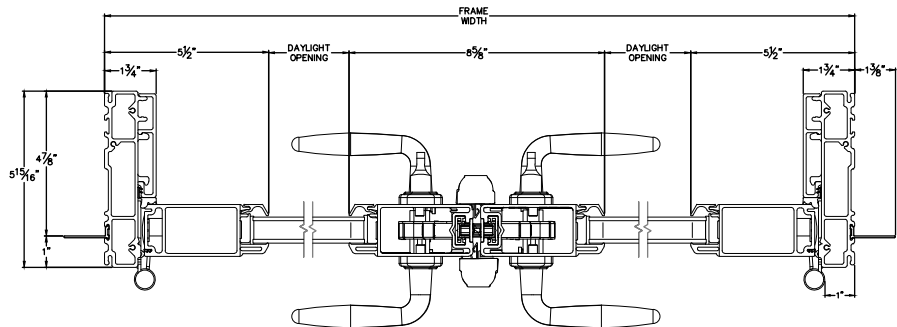
CAD File Scale	View	File Name	Units	REVISION
NTS	Horizontal & Vertical	Ultra_3645_OS_PA_1in_4.563wall	Inch	05/2016

More Technical Documents can be found at milgard.com/professionals
Due to continual research and development, details may be changed at any time. ©2013 Milgard Mfg.

OUT SWING SERIES 3645



HEAD & SILL



JAMBS

Revit, SketchUp, .PDF and .DWG files can be accessed at
milgard.com/professionals/technical-resources

[Go back to Quick Links](#)

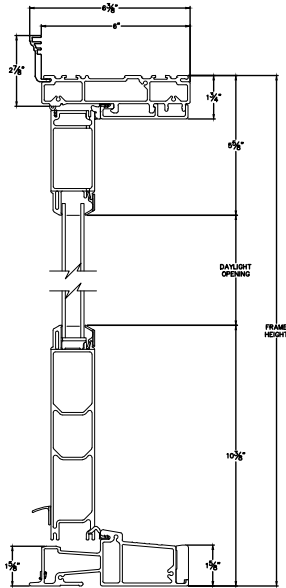
Out-Swing Patio Door

OX - 1-3/4" Z-Bar

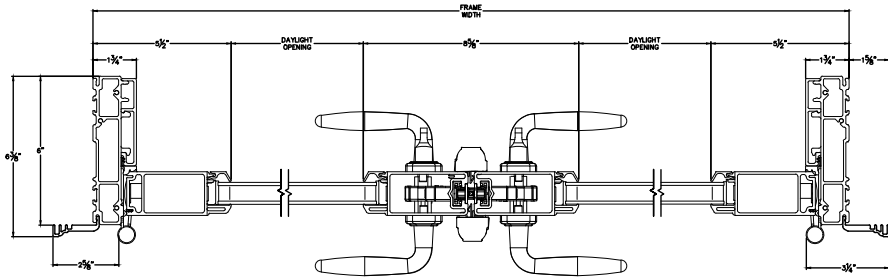
CAD File Scale	View	File Name	Units	REVISION
NTS	Horizontal & Vertical	Ultra_3645_OS_AP_1.75in-z-bar	Inch	05/2016

More Technical Documents can be found at milgard.com/professionals
Due to continual research and development, details may be changed at any time. ©2013 Milgard Mfg.

OUT SWING SERIES 3645



HEAD & SILL



JAMBS

Revit, SketchUp, .PDF and .DWG files can be accessed at milgard.com/professionals/technical-resources

[Go back to Quick Links](#)

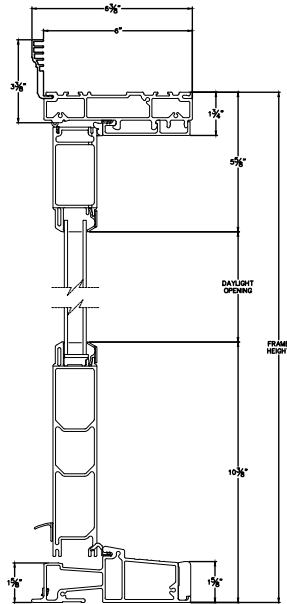
Out-Swing Patio Door

OX - 2-1/4" Z-Bar

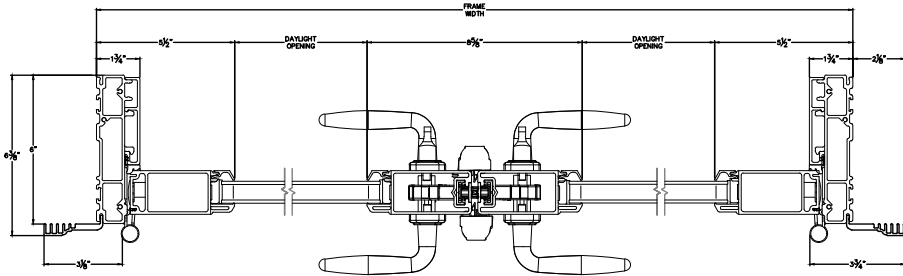
CAD File Scale	View	File Name	Units	REVISION
NTS	Horizontal & Vertical	Ultra_3645_OS_AP_2.25in-z-bar	Inch	05/2016

More Technical Documents can be found at milgard.com/professionals
Due to continual research and development, details may be changed at any time. ©2013 Milgard Mfg.

OUT SWING SERIES 3645



HEAD & SILL



JAMBS

Revit, SketchUp, .PDF and .DWG files can be accessed at milgard.com/professionals/technical-resources

[Go back to Quick Links](#)

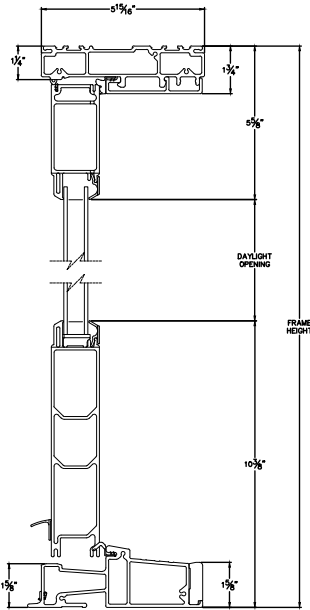
Out-Swing Patio Door

OX - Block Frame

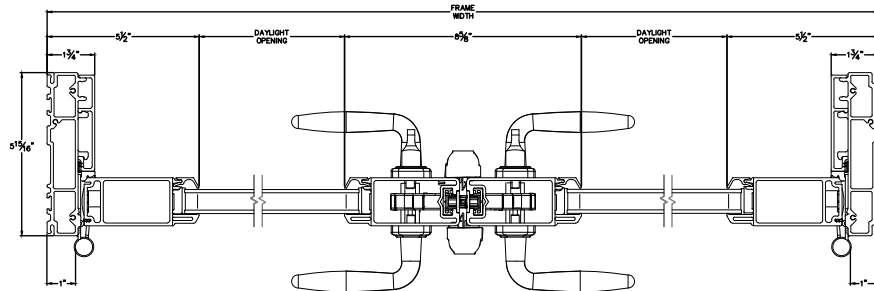
CAD File Scale	View	File Name	Units	Revision
NTS	Horizontal & Vertical	Ultra_3645_OS_PA_BLOCK	Inch	05/2016

More Technical Documents can be found at milgard.com/professionals
Due to continual research and development, details may be changed at any time. ©2013 Milgard Mfg.

OUT SWING SERIES 3645



HEAD & SILL



JAMBS

Revit, SketchUp, .PDF and .DWG files can be accessed at milgard.com/professionals/technical-resources

[Go back to Quick Links](#)

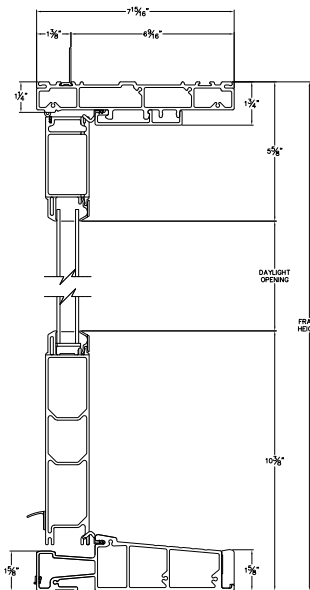
Out-Swing Patio Door

OXX - 1-3/8" Fin Setback

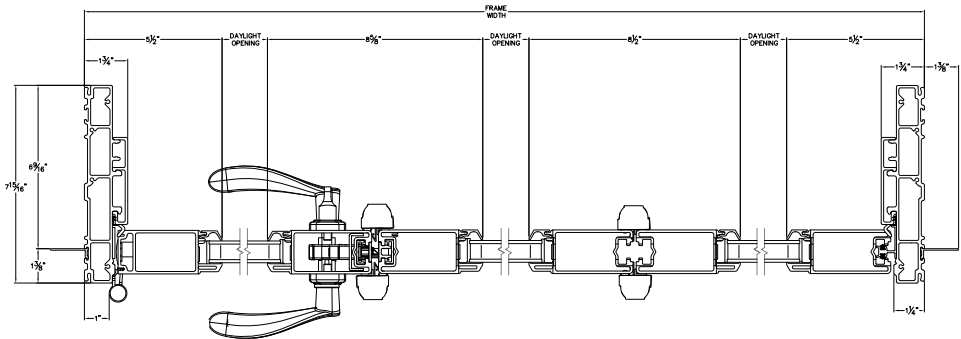
CAD File Scale	View	File Name	Units
NTS	Horizontal & Vertical	Ultra_3665_OS_AOO_1.375in_4.563wall	Inch

More Technical Documents can be found at milgard.com/professionals
Due to continual research and development, details may be changed at any time. ©2013 Milgard Mfg.

OUT SWING SERIES 3665



HEAD & SILL



JAMBS

Revit, SketchUp, .PDF and .DWG files can be accessed at milgard.com/professionals/technical-resources

[Go back to Quick Links](#)

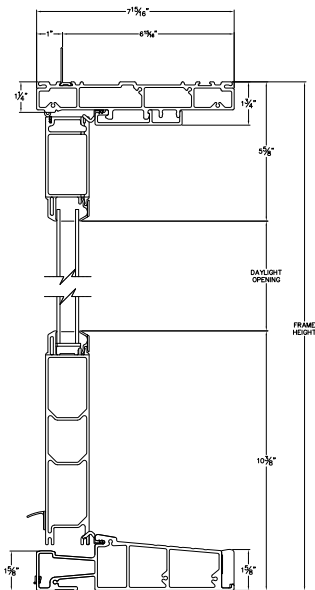
Out-Swing Patio Door

OXX - 1" Fin Setback

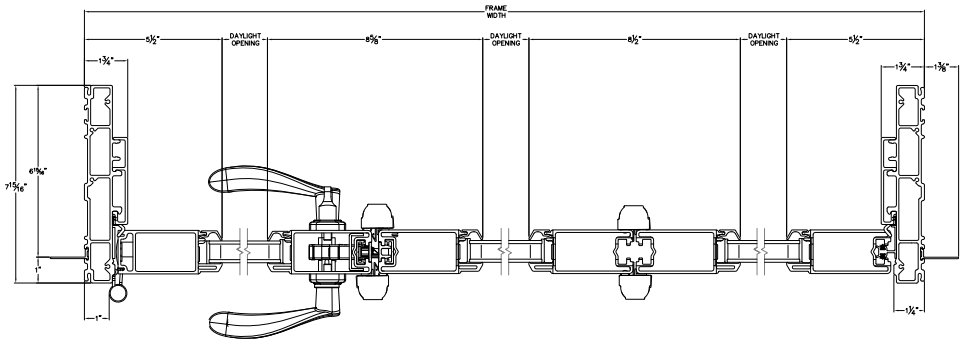
CAD File Scale	View	File Name	Units
NTS	Horizontal & Vertical	Ultra_3665_OS_AOO_1in_6.938wall	Inch

More Technical Documents can be found at milgard.com/professionals
Due to continual research and development, details may be changed at any time. ©2013 Milgard Mfg.

OUT SWING SERIES 3665



HEAD & SILL



JAMBS

Revit, SketchUp, .PDF and .DWG files can be accessed at milgard.com/professionals/technical-resources

[Go back to Quick Links](#)

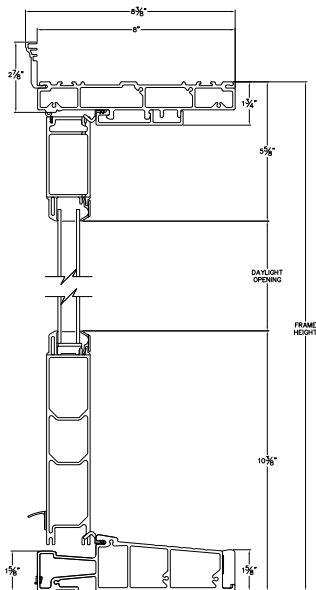
Out-Swing Patio Door

OXX - 1-3/4" Z-Bar

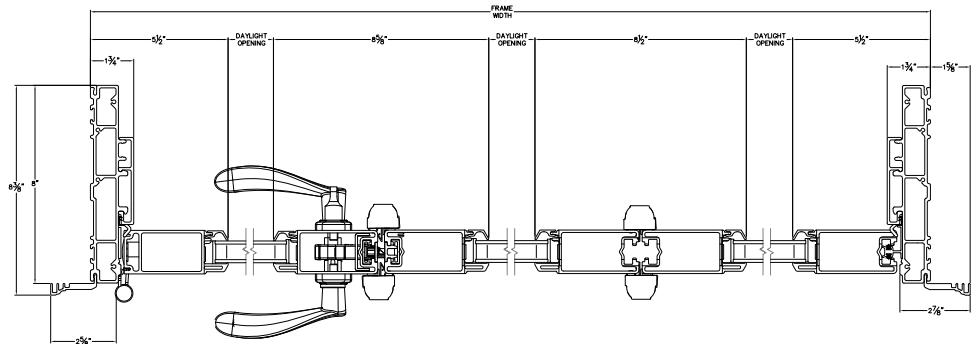
CAD File Scale	View	File Name	Units
NTS	Horizontal & Vertical	Ultra_3665_OS_AOO_1.75in-z-bar	Inch

More Technical Documents can be found at milgard.com/professionals
Due to continual research and development, details may be changed at any time. ©2013 Milgard Mfg.

OUT SWING SERIES 3665



HEAD & SILL



JAMBS

Revit, SketchUp, .PDF and .DWG files can be accessed at milgard.com/professionals/technical-resources

[Go back to Quick Links](#)

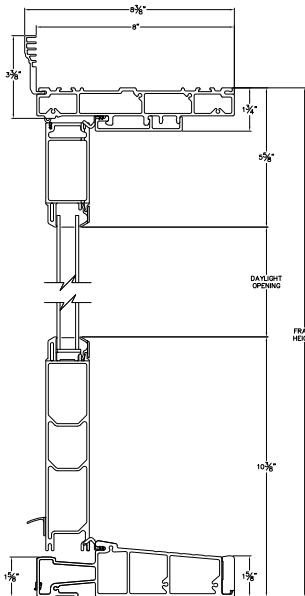
Out-Swing Patio Door

OXX - 2-1/4" Z-Bar

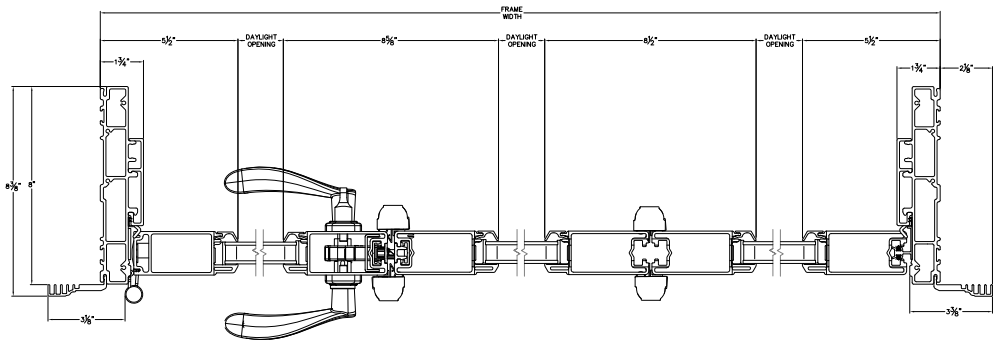
CAD File Scale	View	File Name	Units
NTS	Horizontal & Vertical	Ultra_3665_OS_AOO_2.25in-z-bar	Inch

More Technical Documents can be found at milgard.com/professionals
Due to continual research and development, details may be changed at any time. ©2013 Milgard Mfg.

OUT SWING SERIES 3665



HEAD & SILL



JAMBS

Revit, SketchUp, .PDF and .DWG files can be accessed at milgard.com/professionals/technical-resources

[Go back to Quick Links](#)

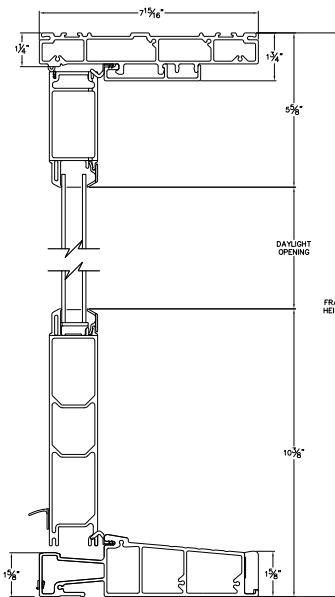
Out-Swing Patio Door

OXX - Block Frame

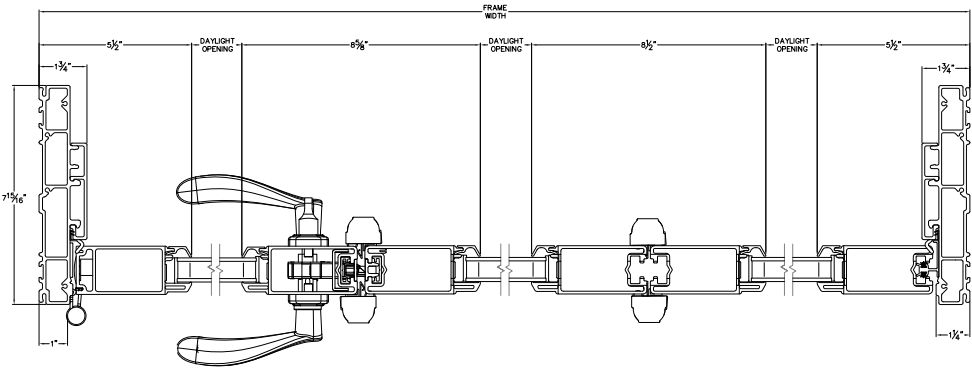
CAD File Scale	View	File Name	Units
NTS	Horizontal & Vertical	Ultra_3665_OS_AOO_block	Inch

More Technical Documents can be found at milgard.com/professionals
Due to continual research and development, details may be changed at any time. ©2013 Milgard Mfg.

OUT SWING SERIES 3665



HEAD & SILL



JAMBS

Revit, SketchUp, .PDF and .DWG files can be accessed at milgard.com/professionals/technical-resources

[Go back to Quick Links](#)

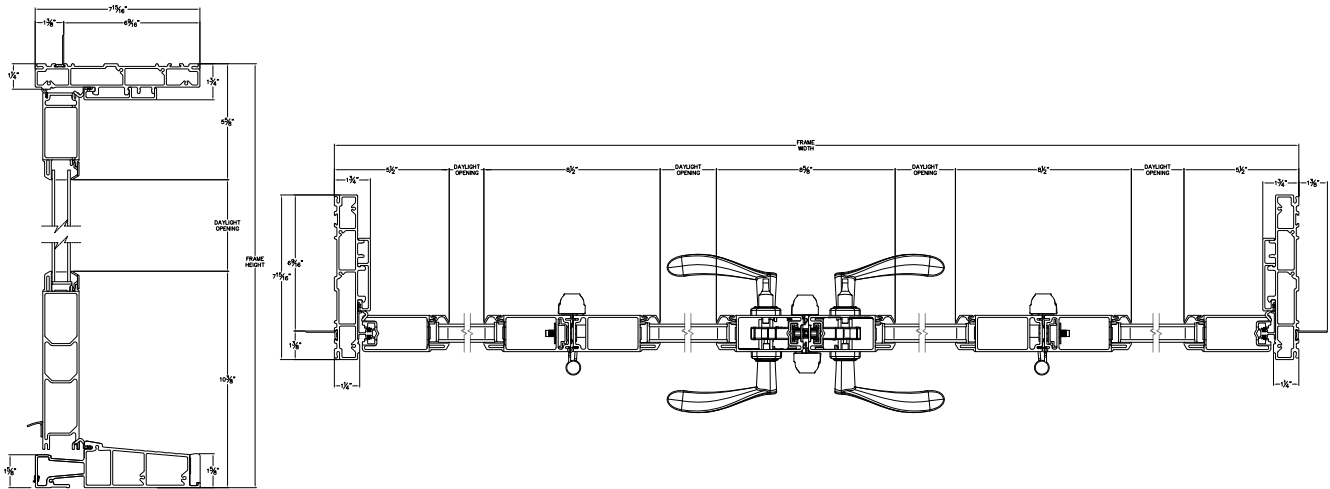
Out-Swing Patio Door

OXXO - 1-3/8" Fin Setback

CAD File Scale	View	File Name	Units
NTS	Horizontal & Vertical	Ultra_3665_OS_OPAO_1.375in_4.563wall	Inch

More Technical Documents can be found at milgard.com/professionals
Due to continual research and development, details may be changed at any time. ©2013 Milgard Mfg.

OUT SWING SERIES 3665



HEAD & SILL

JAMBS

Revit, SketchUp, .PDF and .DWG files can be accessed at milgard.com/professionals/technical-resources

[Go back to Quick Links](#)

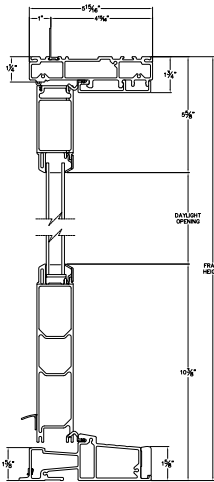
Out-Swing Patio Door

OXXO - 1" Fin Setback

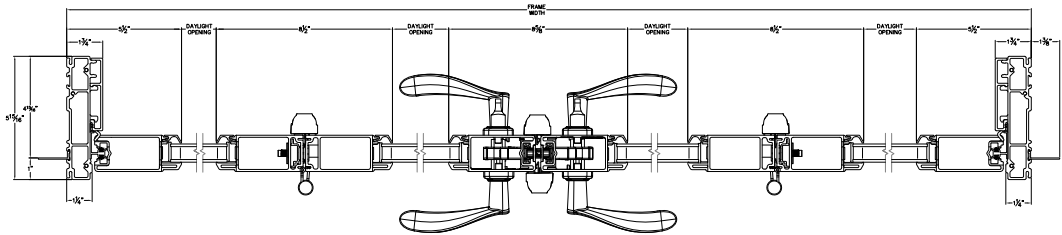
CAD File Scale	View	File Name	Units
NTS	Horizontal & Vertical	Ultra_3645_OS_OPAO_1in_4.938wall	Inch

More Technical Documents can be found at milgard.com/professionals
Due to continual research and development, details may be changed at any time. ©2013 Milgard Mfg.

OUT SWING SERIES 3645



HEAD & SILL



JAMBS

Revit, SketchUp, .PDF and .DWG files can be accessed at milgard.com/professionals/technical-resources

[Go back to Quick Links](#)

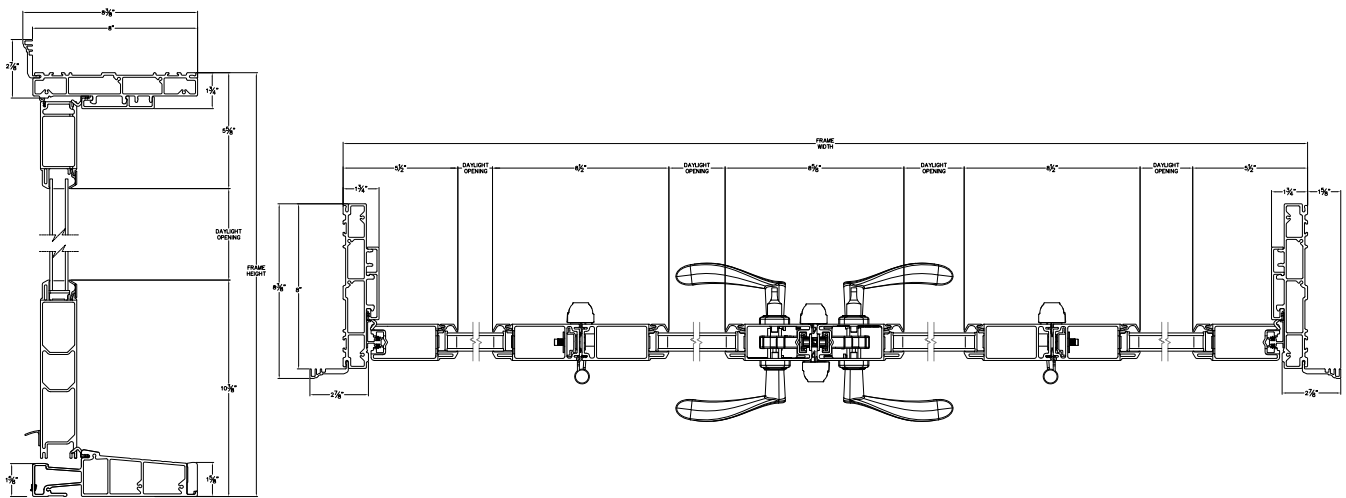
Out-Swing Patio Door

OXXO - 1-3/4" Z-Bar

CAD File Scale	View	File Name	Units
NTS	Horizontal & Vertical	Ultra_3665_OS_OPAO_1.75in-z-bar	Inch

More Technical Documents can be found at milgard.com/professionals
Due to continual research and development, details may be changed at any time. ©2013 Milgard Mfg.

OUT SWING SERIES 3665



HEAD & SILL

JAMBS

Revit, SketchUp, .PDF and .DWG files can be accessed at milgard.com/professionals/technical-resources

[Go back to Quick Links](#)

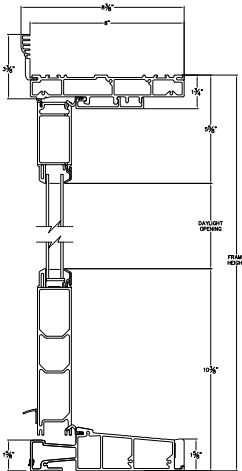
Out-Swing Patio Door

OXXO - 2-1/4" Z-Bar

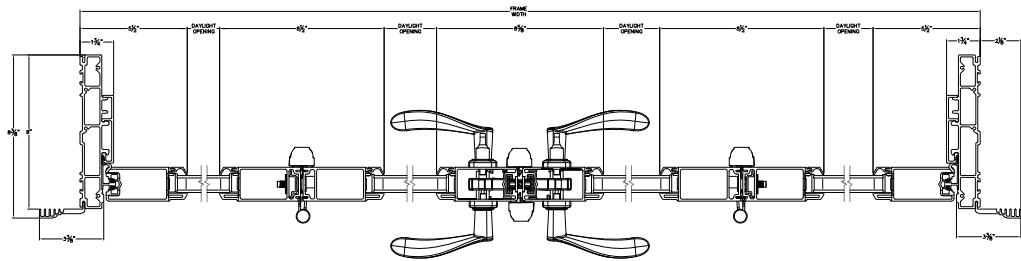
CAD File Scale	View	File Name	Units
NTS	Horizontal & Vertical	Ultra_3665_OS_OPAO_2.25in-z-bar	Inch

More Technical Documents can be found at milgard.com/professionals
Due to continual research and development, details may be changed at any time. ©2013 Milgard Mfg.

OUT SWING SERIES 3665



HEAD & SILL



JAMBS

Revit, SketchUp, .PDF and .DWG files can be accessed at milgard.com/professionals/technical-resources

[Go back to Quick Links](#)

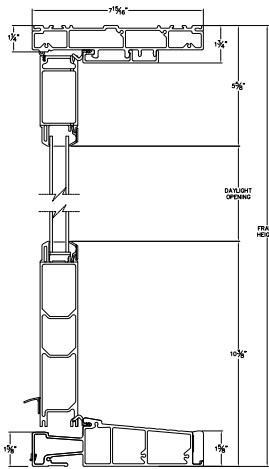
Out-Swing Patio Door

OXXO - Block Frame

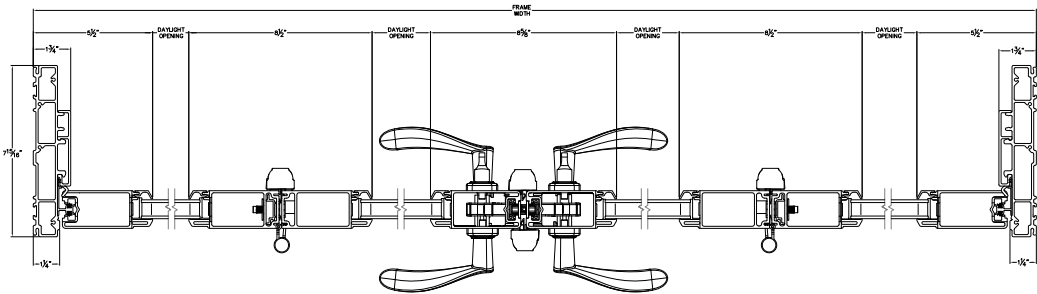
CAD File Scale	View	File Name	Units
NTS	Horizontal & Vertical	Ultra_3665_OS_OPAO_block	Inch

More Technical Documents can be found at milgard.com/professionals
Due to continual research and development, details may be changed at any time. ©2013 Milgard Mfg.

OUT SWING SERIES 3665



HEAD & SILL



JAMBS

Revit, SketchUp, .PDF and .DWG files can be accessed at
milgard.com/professionals/technical-resources

[Go back to Quick Links](#)