

TUSCANY® SERIES MONTECITO® SERIES

Premium Vinyl Windows
& Patio Doors

Architectural Manual



Clearly the best.®



Instructions on how to use this manual:

This document has been designed for easy navigation and to quickly click to the section you need. Here's some important tips on using this document:

- Any item print in **red**, will click through to the corresponding item.
- Click to any item in the Table of Contents on **page 3**. Click on the Milgard logo at the top of any page to return to the Table of Contents - FULL MANUAL ONLY.
- From each section's Quick Links page, click to any Drawing listed.
- From any Drawing page, click the "Go Back to Quick Links" box on the bottom right of the page to return to the list of drawings.
- Click on the links on the bottom of the page to go to Revit, SketchUp . PDF and .DWG files. Please note that you must have internet access for these links and you will be re-directed to the Milgard site.
- This document can also be navigated from Adobe Acrobat Bookmarks.

Revit, SketchUp, .PDF and .DWG files can be accessed at
milgard.com/professionals/technical-resources

Contents

Differences between Tuscany and Montecito Series _ 4

New Construction vs. Retrofit	4
Screens	4
Awning and Casement Hardware	4
Glass Breakage Coverage	4

Components _____ 4

Available Operating Styles	4
Frame	4
Frame Differences	5
Block Frame	5
Z-Bar (Standard and Wide)	5
Fin Setbacks	5
Weep System	5
Glazing Material	6
Vent Panel	6
Weatherstripping	6
Roller Assembly	6
Locking Assembly	6
Screen	6

Options _____ 7

Grids	7
-------	---

Window Hardware _____ 8

SmartTouch® Lock	8
Tuscany Awning/Casement Handle	8
Montecito Awning/Casement Handles	8

Door Hardware _____ 9

SmartTouch® Interior Door Handle	9
Decorative Interior Handle	9
Swing Door Handle	9

Premium Exterior Vinyl Finishes _____ 10

Full Lifetime Warranty _____ 11

Awning Window _____ 12

Configurations	13
Minimum/Maximum Sizes	13
Available Frame Styles	13
Drawings - Quick Links	14
Awning Window	15
Fixed Awning Window	24

Casement Window _____ 32

Configurations	33
Minimum/Maximum Sizes	33
Available Frame Styles	33
Drawings - Quick Links	34
Casement Window	35
Fixed Casement Window	48

Horizontal Sliding and Double Horizontal Sliding Window _____ 57

Hz Configurations	58
Hz Minimum/Maximum Sizes	58
Hz Available Frame Styles	58
DHz Configurations	59
DHz Minimum/Maximum Sizes	59
DHz Available Frame Styles	59

Drawings - Quick Links	60
Horizontal Sliding Window	61
Double Horizontal Sliding Window	73

Picture and Radius Window _____ 80

Configurations	81
Minimum/Maximum Sizes	81
Available Frame Styles	81
Drawings - Quick Links	82
Picture Window	83
Radius Window	92

Single Hung and Double Hung Window _____ 101

SH Configurations	102
SH Minimum/Maximum Sizes	102
SH Available Frame Styles	102
DH Configurations	103
DH Minimum/Maximum Sizes	103
DH Available Frame Styles	103
Drawings - Quick Links	104
Single Hung Window	105
Double Hung Window	117

Bay & Bow Window _____ 123

Configurations	124
Minimum/Maximum Sizes	124
Available Frame Styles	124
Drawings - Quick Links	125
Bay Window Drawings	126
Bow Window Drawings	130

Cable Bay Window _____ 134

Configurations	135
Minimum/Maximum Sizes	135
Available Frame Styles	135
Cable	135
Seat Boards	135
Drawings - Quick Links	136
Support System Installation Guide	137
Cable Bay Window Drawings	139

Sliding Patio Doors _____ 167

Configurations	168
Minimum/Maximum Sizes	168
Available Frame Styles	168
Drawings - Quick Links	169
Sliding Patio Door	170
French Sliding Patio Door	183

Swing Patio Doors _____ 195

Configurations	196
Minimum/Maximum Sizes	196
Available Frame Styles	196
Drawings - Quick Links	197
French In-Swing Patio Door	198
French Out-Swing Patio Door	201

About Tuscany® & Montecito® Series

Differences between Tuscany and Montecito Series

Tuscany Series and Montecito Series windows and doors are aesthetically the same but there are some important differences:

New Construction vs. Retrofit

Tuscany Series can be used for new construction or retrofit applications as it offers block frame and Z-bar frames in addition to nail fins.

Montecito Series is only available with nail fins and used for new construction exclusively (see page 5).

Screens

PureView® premium mesh screens with a pull rail frame are available on Tuscany Series only. Montecito Series come with standard screens.

Awning and Casement Hardware

Tuscany Series awning and casement windows come with folding nesting hardware while Montecito Series comes with standard hardware (see page 8).

Warranty

Both products come standard with the Full Lifetime Warranty, and only Tuscany Series comes with Glass Breakage Coverage.

Components

Available Operating Styles

Find frame styles for each operating style:

Awning

Fixed Awning

Casement

Fixed Casement

Horizontal Sliding (Half Vent)

Double Horizontal Sliding

Single Hung

Double Hung

Picture/Radius

Bay/Bow

Cable Bay

Sliding Patio Door

Swing Patio Door

Not all operating styles available at all Milgard locations.

Contact your sales representative for more information.

Frame

Tuscany Series and Montecito Series frame components are made of a high performance uPVC, rigid polyvinyl chloride material, custom compounded for superior impact resistance, color retention and weather resistance. The frame and sash corners are all precision mitered and fusion welded for a lifetime of air and water resistance.

The Tuscany Series and Montecito Series meets or exceeds the AAMA/WDMA/CSA 101/I.S.2/A 440-05 Industry Specification for Windows and Doors. They are also tested for Forced Entry Resistance to the ASTM F588-97 standard, Grade 20 level. Each window is labeled with the NFRC Energy Star performance information, based on the type of glazing you select.

Frame Differences

Tuscany and Montecito have the same aesthetic design but there are differences in the frame and the applications they are used. Montecito Series is primarily used in new construction applications and comes with various nail fins. Tuscany Series can also be used in new construction with the same nail fin options, but is also available in retrofit applications such as block frame and Z-bar.

Here are the details on each:

Block Frame

(Tuscany only)

The block frame style is a window frame profile without a nail fin. The block frame allows an installer to insert the replacement window into the existing frame, without disturbing the home's internal or external wall surfaces. Installation method includes carefully drilling through the jamb.

Z-Bar (Standard and Wide)

(Tuscany only)

Two extruded Z-bar frame choices are available with Tuscany series, standard (1-5/8") and wide (2-1/8"). Z-bar installation, the method of removing the aluminum or steel sash but leaving the frame in place, is ideal with aluminum retrofit in stucco applications and can save a significant amount on installation costs.

Nail-On Fin

(Tuscany and Montecito)

1-1/4" or 2" fin widths available.

A pre-punched nail flange extends around the perimeter frame, securing the window in rough openings and acting as a part of the flashing system.

Fin Setbacks

(Tuscany and Montecito)

- 1-3/8" nail fin setback (1-1/4" or 2" pre-punched nail flange)
- 1" nail fin setback with stucco key (1-1/4" pre-punched nail flange)

The 2" pre-punched nail flange frame also has an exterior accessory groove which allows for optional J-channel trim:

- 2" Brickmold
- 1" Contour
- 3/4" Flat

The 2" brickmold is applied in the field on the window, and snapped in-place after window installation. The 1" contour and 3/4" flat J-channel options are welded in place at the factory.

All trim options are extruded by Milgard and are available in white and tan.

Weep System

Hollow sill construction and offset weep baffles release any accumulated moisture from the sill pockets and help prevent blow back, and helps control the water flow caused by a combination of wind and rain.

Glazing Material

AAMA-approved glazing tape adheres glass to the fixed and vent panel frames which seals and cushions the glass. Rigid vinyl setting blocks are used to support the unit above the sill, preventing glass shear (glass in the insulated unit becomes offset). Extruded vinyl glazing (snap-in) bead is applied around the interior edge.

“Interior glazing” makes replacement of glazing unit convenient; bead is mitered at 45 degree for a finished look. Insulating dual glazed panes have a 7/8” overall glass thickness (3/4” for double hungs), are dual seal equivalent, sealed for optimal energy efficiency. All Tuscany and Montecito windows currently meet or exceed ENERGY STAR® performance in all climate zones with a 0.35 u-factor or lower. Specialty glass options are available upon request which can help achieve as much as a 26% improvement in u-factor. Specialty glass options for privacy, noise abatement and aesthetics are available upon request.

Vent Panel

The vent panel has an “L” shaped lip that fully interlocks with the vertical meeting rail, adding security and preventing air and water penetration. Its roller assembly rides on a monorail reversible track for easy operation and durability. This raised track in the frame sill helps keep the vent panel free from interference by foreign particles that may collect in the sill.

The Tuscany Series has been designed with equal sight lines resulting in the same size glazing unit for both the fixed and vent panels. This is not only visually appealing but offers simplified field maintenance and can often result in common-sized window screens for

window systems of more than two units.

Weatherstripping

Silicone-treated water-repellent polypropylene fin seal weatherstripping provides a durable, weather tight seal. Two continuous rows of weatherstripping around the vent panel provide a superior weather-tight seal. The first row is a flexible TPE leaf seal that acts as the primary water barrier. The second row is a compression style, TPV wrapped closed-cell foam, bulb seal that provides exceptional protection against air infiltration.

Roller Assembly

Self-lubricating, wear resistant, dual nylon rollers with stainless steel axles provide flexible, free-wheeling, smooth and silent operation. The adjustable rollers are engineered for reduction of friction and torque on operable vent frames.

Locking Assembly

Milgard’s exclusive patented SmartTouch® direct action lock mechanism provides security and finger-tip operation. The lock engages when the window is closed. The lock offers a visual indicator that when the window is closed, it is also locked. The SmartTouch® lock is unlike most locking mechanisms available today as it requires no squeezing or twisting to operate, making it ideal in universal design.

Screen

Milgard’s exclusive PureView® screen frames are cambered aluminum, assembled with rigid nylon corner clips. Rolled pull rail provides simple installation and removal. Screens come standard with matching frame color. PureView’s innovative screen uses smaller diameter yarn, improving

the interior view. The finer mesh also reduces the appearance of a screen, enhancing curb appeal. PureView's fiberglass charcoal screen mesh is strong, durable and easy to replace. All screens are under one year warranty. PureView screen with pull rail are available only on Tuscany Series.

Energy Packages

Milgard adheres to ENERGY STAR® v6 requirements to meet or exceed U-Factor and Solar Heat Gain Coefficient (SHGC) criteria for all ENERGY STAR® zones.

Milgard also offers high energy performance options for the ultimate in energy efficiency. Energy efficient windows could include one or more of the following features based on your climate.

- SunCoat® or SunCoatMAX®
- EdgeGardMAX®
- Argon or Krypton
- 4th Surface
- Triple Glaze

For more details on Milgard Energy Efficient packages, visit www.milgard.com/learn/energy-efficiency/energy-efficient-components

To check the energy performance of all Milgard windows and doors, use our Energy Calculator at:

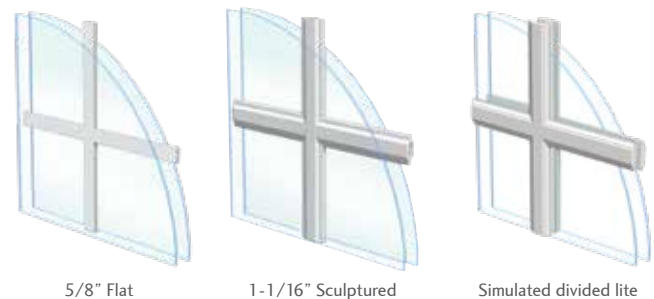
milgard.com/energy-calculator

Options

Grids

Available in 5/8" flat or 1-1/16" sculptured aluminum profiles. Simulated divided lite (SDL) grids are also available in some locations, using 5/8" grids between the glass panes for three dimensional shadowing as well as 7/8" contoured vinyl grid applied to the interior and exterior glass panes.

All grids are color matched to frame in white or tan.



Full Lifetime Warranty and Glass Breakage Coverage

Full Lifetime Warranty is available on both Tuscany and Montecito Series with Glass Breakage Coverage available on Tuscany only. For complete warranty details visit milgard.com.

Caution: The use of petroleum based fuels or solvents as release agents in stucco wall installations or glass cleaning will chemically attack materials used in seals and other components, and voids the Milgard Warranty. The use of wax-based release agents is recommended.

Expanding foam for insulation purposes should not be used. Backer rod or loose packed fiberglass bat insulation is recommended.

Window Hardware

SmartTouch® Lock

Horizontal Slider - Single Hung - Double Hung

It's the easiest, smartest way to lock and unlock a window or door, and also assures you that when your window is closed, it's locked.

Responding to consumer needs for products that are easy to operate and maintain, Milgard developed the innovative SmartTouch window lock and door handle.

The SmartTouch window lock won a prestigious IDEA award (International Design Excellence) from the Industrial Designers Society of America in 2008. The SmartTouch door handle won the same IDEA award in 2012.



Tuscany Awning/Casement Handle

Folding, nesting operator handle



Montecito Awning/Casement Handles

Operator handle (standard)



Folding operator handle (upgrade)

Door Hardware



SmartTouch® Interior Door Handle

Milgard's patent-pending SmartTouch® door handle is easy to operate and lock. The lock and handle also increase security with a tough locking mechanism that exceeds all California forced-entry requirements.



White



Tan

Decorative Interior Handle



Brushed
Chrome

Brushed
Nickel

Oil-Rubbed
Bronze

Clay
(not available in
all locations)



Swing Door Handle

Interior Finishes:

- White
- Tan
- Brushed Nickel
- Brushed Chrome
- Oil Rubbed Bronze

Exterior Finishes:

- White
- Tan
- Black
- Brushed Chrome
- Oil Rubbed Bronze



Brushed
Chrome



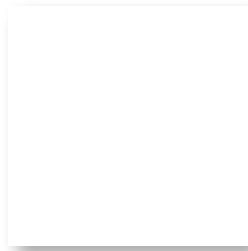
Brushed
Nickel



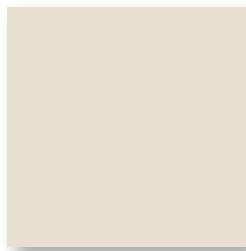
Oil Rubbed
Bronze

Premium Exterior Vinyl Finishes

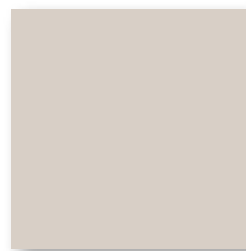
Standard - Matching interior



White



Tan



Clay

(available in select regions)

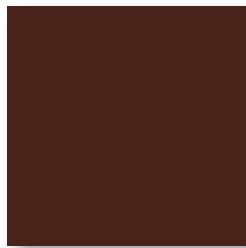
Premium - White interior only



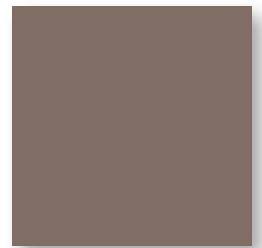
Bronze



Espresso



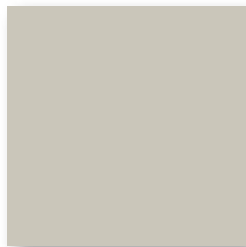
Classic Brown



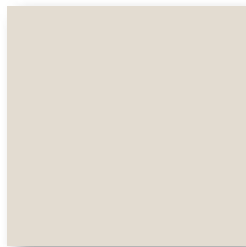
Tweed



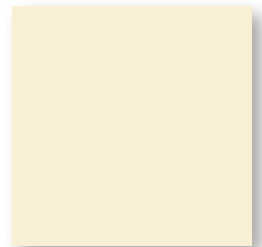
Silver



Fog



Sand



Ivory

Full Lifetime Warranty

At Milgard, we build our windows and doors to last. With the dedication to quality that we put into building the best windows in the business, it wouldn't make sense to back them with anything but the best warranty in the business. That's why we back every properly installed window and door for as long as the homeowner owns their home—including parts and labor. Tuscany Series windows and doors also come standard with Glass Breakage Coverage. It's why you can be sure you won't find any windows better than Milgard.

For complete warranty details, visit milgard.com.



Why Milgard?

Milgard is one of the largest and most trusted names in windows and doors. For the last 50 years, we've demonstrated our commitment to innovation, quality and service.

While our coverage is extensive, our service is local. Milgard has multiple locations throughout the Western U.S. and Western Canada. Our belief is that by being close to our customers, we can provide them better service. This means faster lead and delivery time, as well as faster response to any warranty situations. We're there for you long after the job has been completed. Milgard also has a comprehensive network of qualified dealers and offers some of the best training in the industry.

Awards give you added assurances and Milgard has been named "Best Quality in the Nation" eight times and the nation's "Most Used Vinyl Window" four times by Builder magazine. Both Professional Remodeler and Professional Builder magazines have named us "Most Preferred Vinyl Window" three times.

Awning Window



An awning window is a vent that is hinged on the top and swings outward from the bottom. Awning windows can be used alone or in tandem with other series windows for virtually any design specification.

The Tuscany Series and Montecito Series vinyl awning window offers the outstanding insulating properties, low maintenance, and contemporary aesthetic appeal only vinyl can provide. Available in white, tan, and clay (select regions), as well as premium painted exteriors. The windows will maintain their color and shape and can be constructed to your exact size specifications, subject to engineering review.



Please also see:

[Awning Hardware](#)

[Premium Exterior Vinyl Finishes](#)

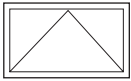
[Full Lifetime Warranty](#)

[Energy Packages](#)

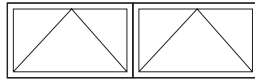
[Accessories](#)

Awning Window

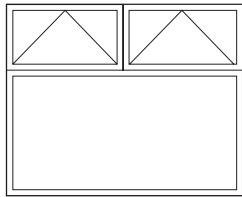
Configurations



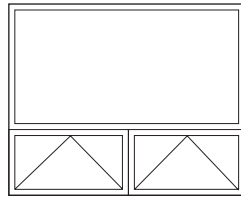
Full Awning



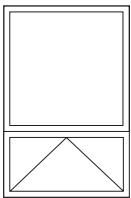
Double Awning



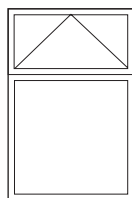
Double top Awning



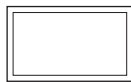
Double bottom Awning



Bottom Awning



Top Awning



Fixed Awning

Minimum/Maximum Sizes

FULL AWNING

- Min 1³1⁴ Max 4⁶3⁰

DOUBLE AWNING

- Min 3⁰1⁶ Max 9⁰3⁰

BOTTOM/TOP AWNING

- Min 1³2⁶ Max 4⁶8⁰

DOUBLE BOTTOM/TOP AWNING

- Min 3⁰2⁶ Max 8⁰6⁰

Egress not possible with awning windows

Available Frame Styles

NO NAIL-ON FIN:

8420T Block Frame

8470T 1-5/8" Narrow Z-Bar (Tuscany only)

8440T 2-1/8" Wide Z-Bar (Tuscany only)

INCLUDES NAIL-ON FIN:

8420T 1-3/8" Nail Fin Setback

8430T 1" Nail Fin Setback with Stucco Key

8440T 1-3/8" Nail Fin Setback, 2" Long Nail Fin

8440T 1-3/8" Nail Fin Setback, 2" Long Nail Fin with optional:

- 3/4" Flat J-channel
- 1" Contoured J-channel
- 2" Brickmold
- Welded Brickmold

NOTE: For engineering approval contact your Milgard representative for any configuration over 40 square feet. Each Milgard Manufacturing plant reserves the right to alter or change sizes and configurations according to location capabilities. Ask your Milgard rep about specialty applications. Windows over 40 square feet shipped open for field glazing. Varies by location.

Not all frame styles available at all Milgard locations. Contact your Milgard Representative for more information.

Drawings - Quick Links

Awning Window

- 15—1-3/8" Fin Setback
- 16—1" Fin Setback w/Stucco Key
- 17—1-3/8" Fin Setback w/Stucco Key
- 18—1-3/8" Fin Setback Accessory Groove Frame, 2" Nail Fin
- 19—Welded Brickmold
- 20—1-3/8" Fin Setback Accessory Groove Frame, 2" Brickmold
- 21—1-3/8" Fin Setback Accessory Groove Frame, 1" Contour J Channel
- 22—1-3/8" Fin Setback Accessory Groove Frame, 3/4" Flat J Channel
- 23—Accessory Groove Frame, 2-1/8" Contour Z-Bar
- 24—1-5/8" Contour Z-Bar
- 25—Block Frame

Fixed Awning Window

- 26—1-3/8" Fin Setback
- 27—1" Fin Setback w/Stucco Key
- 28—1-3/8" Fin Setback Accessory Groove Frame, 2" Nail Fin
- 29—Welded Brickmold
- 30—1-3/8" Fin Setback Accessory Groove Frame, 2" Brickmold
- 31—1-3/8" Fin Setback Accessory Groove Frame, 1" Contour J Channel
- 32—1-3/8" Fin Setback Accessory Groove Frame, 3/4" Flat J Channel
- 33—Accessory Groove Frame, 2-1/8" Contour Z-Bar
- 34—1-5/8" Contour Z-Bar
- 35—Block Frame

Revit, SketchUp, .PDF and .DWG files can be accessed at
milgard.com/professionals/technical-resources

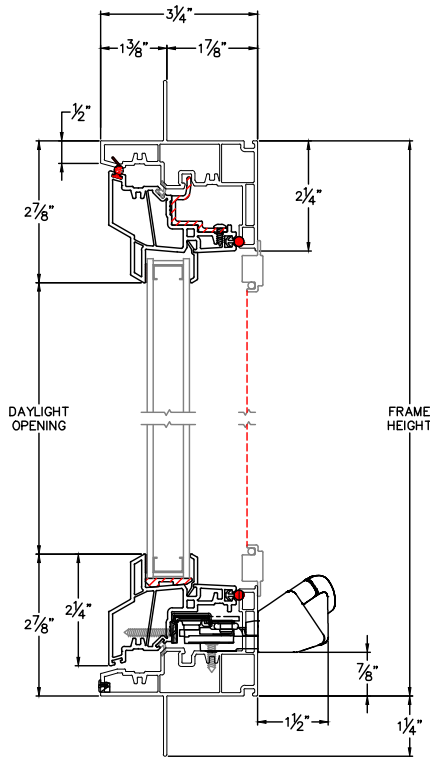
Awning Window

1-3/8" Fin Setback

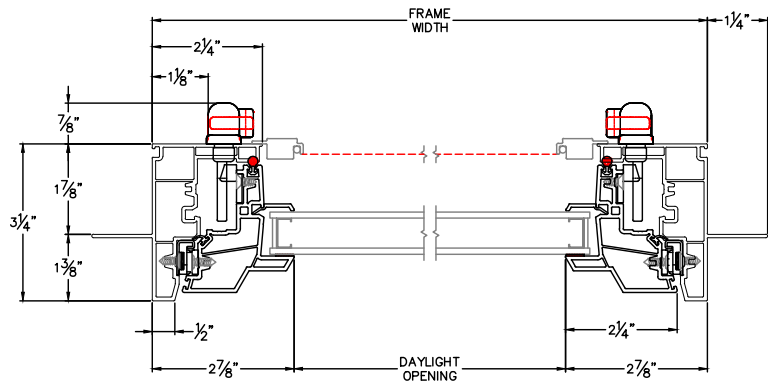
CAD File Scale	View	File Name	Units
NTS	Horizontal & Vertical	8420T-01 FA	Inch

More Technical Documents can be found at milgard.com/professionals
Due to continual research and development, details may be changed at any time. ©2013 Milgard Mfg.

AWNING SERIES 8420



HEAD & SILL



JAMBS

Revit, SketchUp, .PDF and .DWG files can be accessed at
milgard.com/professionals/technical-resources

[Go back to Quick Links](#)

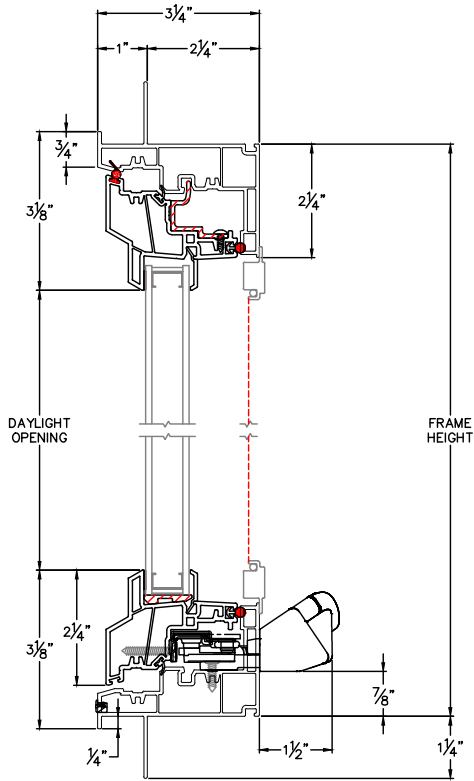
Awning Window

1" Fin Setback w/Stucco Key

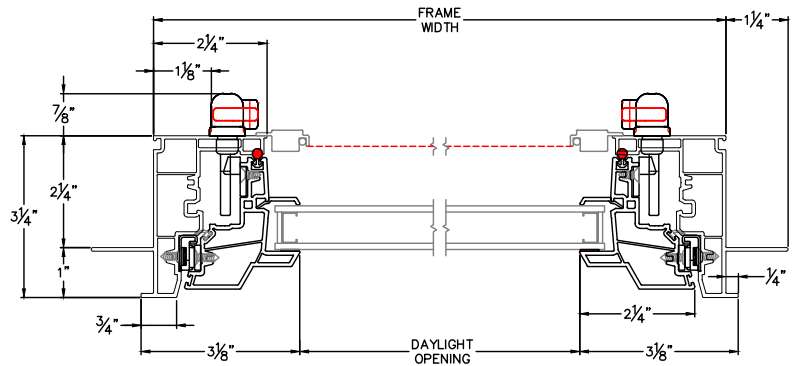
CAD File Scale	View	File Name	Units
NTS	Horizontal & Vertical	8430T-01 FA	Inch

More Technical Documents can be found at milgard.com/professionals
Due to continual research and development, details may be changed at any time. ©2013 Milgard Mfg.

AWNING SERIES 8430



HEAD & SILL



JAMBS

Revit, SketchUp, .PDF and .DWG files can be accessed at
milgard.com/professionals/technical-resources

[Go back to Quick Links](#)

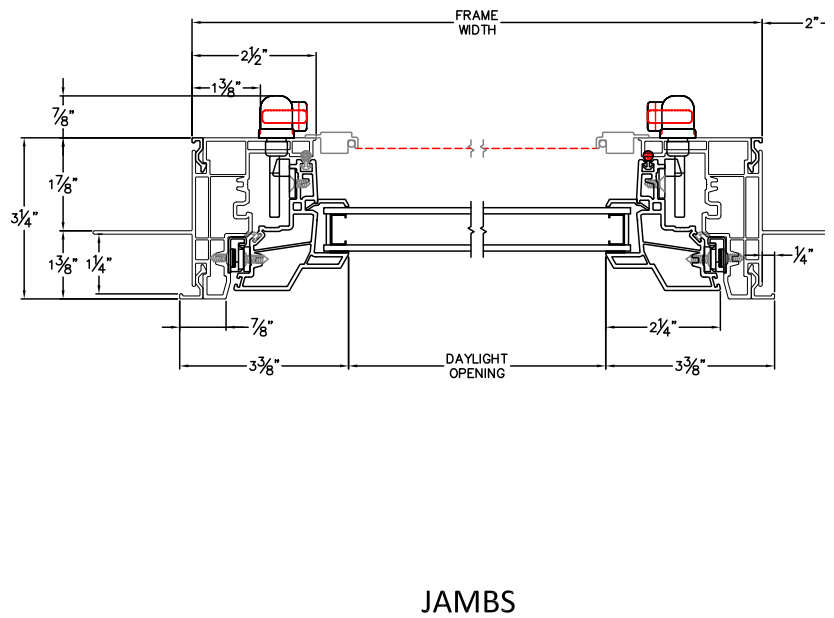
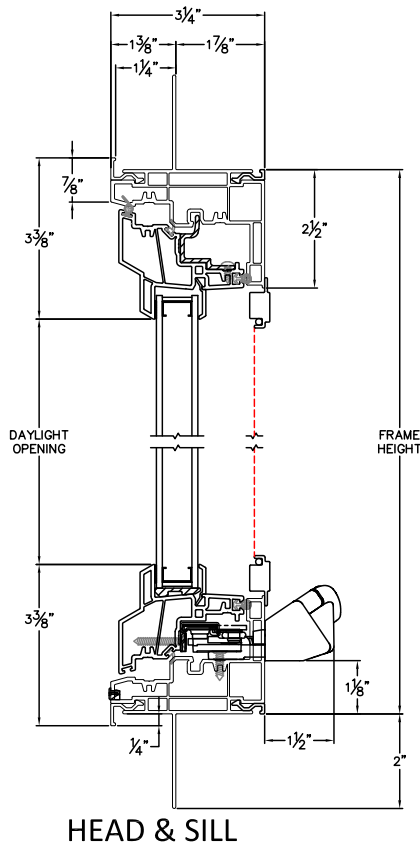
Awning Window

1-3/8" Fin Setback w/Stucco Key

CAD File Scale	View	File Name	Units	Revi
NTS	Horizontal & Vertical	Tuscany_8440_FA_1.375in_stucco	Inch	6/2

More Technical Documents can be found at milgard.com/professionals
Due to continual research and development, details may be changed at any time. ©2013 Milgard Mfg.

AWNING SERIES 8440



Revit, SketchUp, .PDF and .DWG files can be accessed at
milgard.com/professionals/technical-resources

[Go back to Quick Links](#)

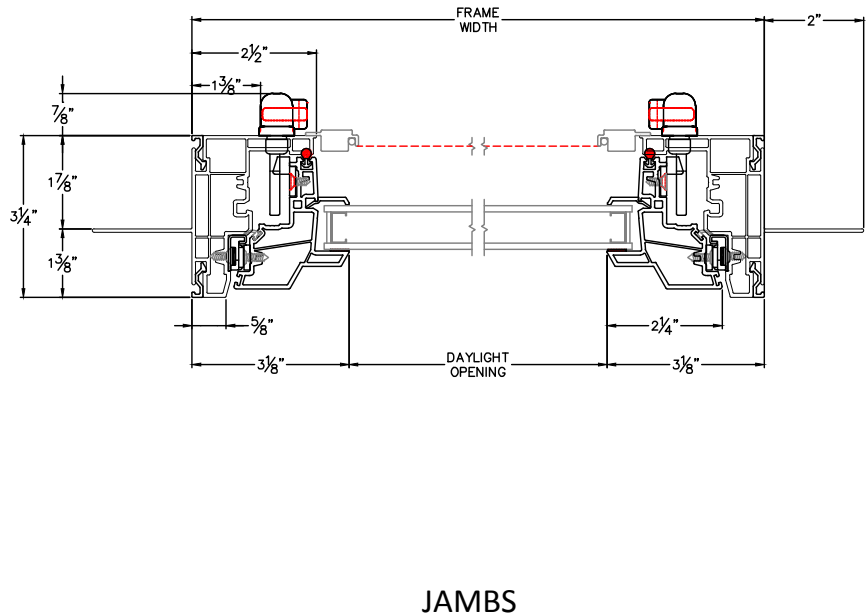
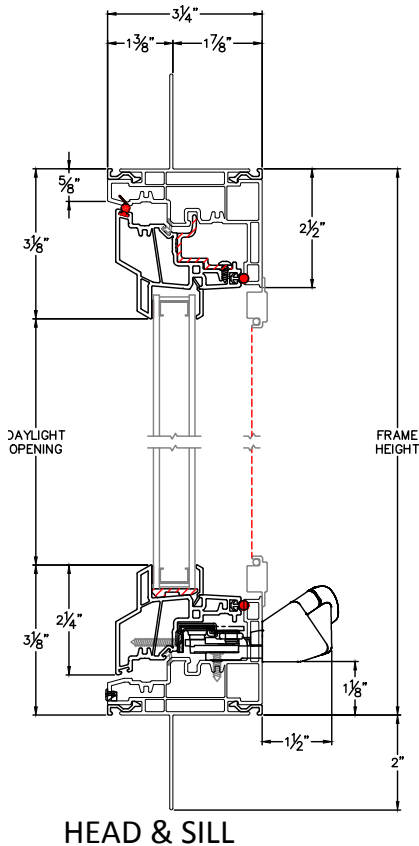
Awning Window

1-3/8" Fin Setback Accessory Groove Frame, 2" Nail Fin
(Tuscany only)

CAD File Scale	View	File Name	Units
NTS	Horizontal & Vertical	8440T-05 FA	Inch

More Technical Documents can be found at milgard.com/professionals
Due to continual research and development, details may be changed at any time. ©2013 Milgard Mfg.

AWNING SERIES 8440



Revit, SketchUp, .PDF and .DWG files can be accessed at
milgard.com/professionals/technical-resources

[Go back to Quick Links](#)

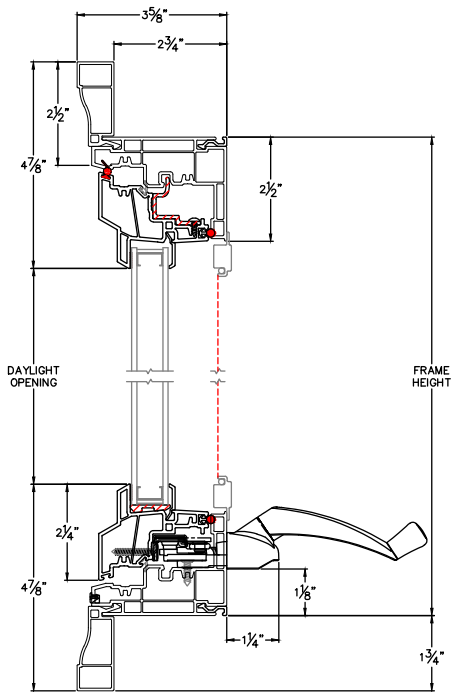
Awning Window

Welded Brickmold

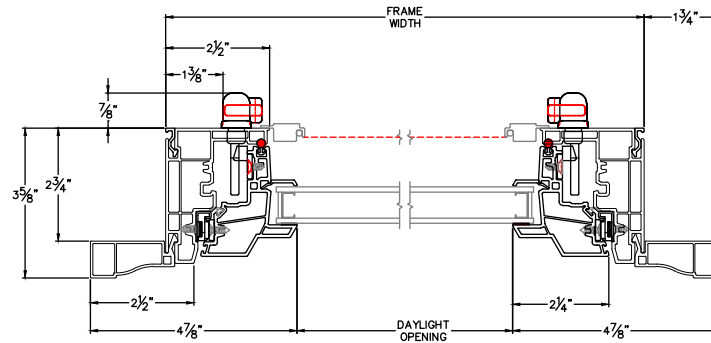
CAD File Scale	View	File Name	Units
NTS	Horizontal & Vertical	Tuscany_8440_FA_welded_brickmold	Inch

More Technical Documents can be found at milgard.com/professionals
Due to continual research and development, details may be changed at any time. ©2013 Milgard Mfg.

AWNING SERIES 8440



HEAD & SILL



JAMBS

Revit, SketchUp, .PDF and .DWG files can be accessed at
milgard.com/professionals/technical-resources

[Go back to Quick Links](#)

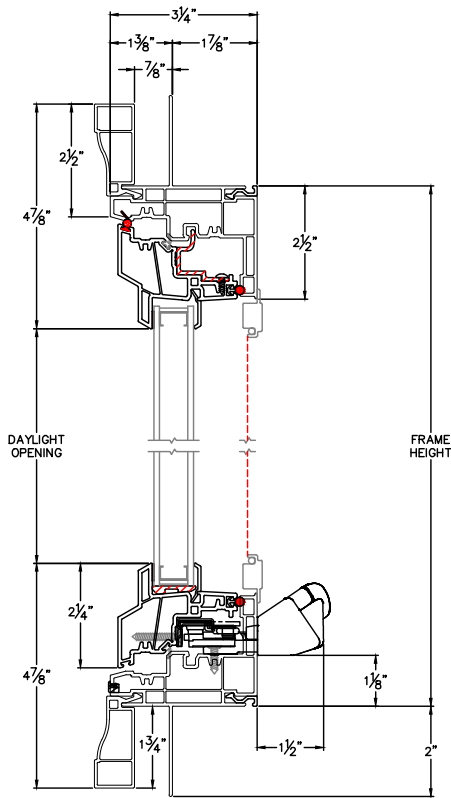
Awning Window

1-3/8" Fin Setback Accessory Groove Frame, 2" Brickmold

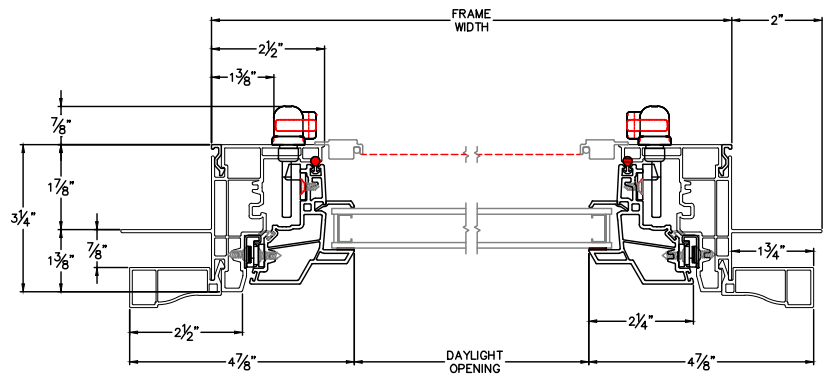
CAD File Scale	View	File Name	Units
NTS	Horizontal & Vertical	8440T-03 FA	Inch

More Technical Documents can be found at milgard.com/professionals
Due to continual research and development, details may be changed at any time. ©2013 Milgard Mfg.

AWNING SERIES 8440



HEAD & SILL



JAMBS

Revit, SketchUp, .PDF and .DWG files can be accessed at
milgard.com/professionals/technical-resources

[Go back to Quick Links](#)

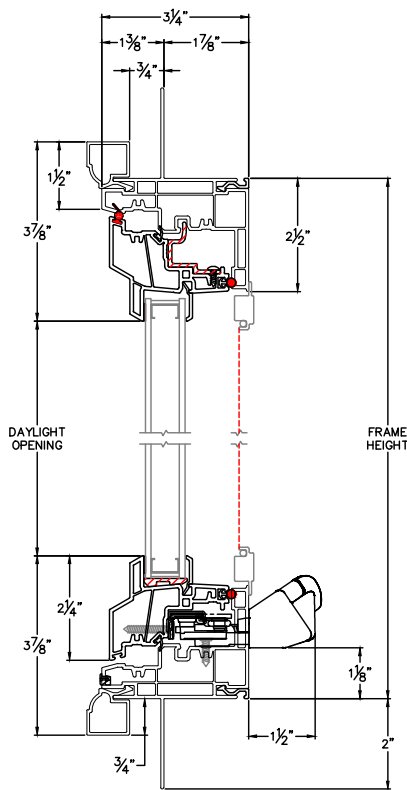
Awning Window

1-3/8" Fin Setback Accessory Groove Frame, 1" Contour J Channel

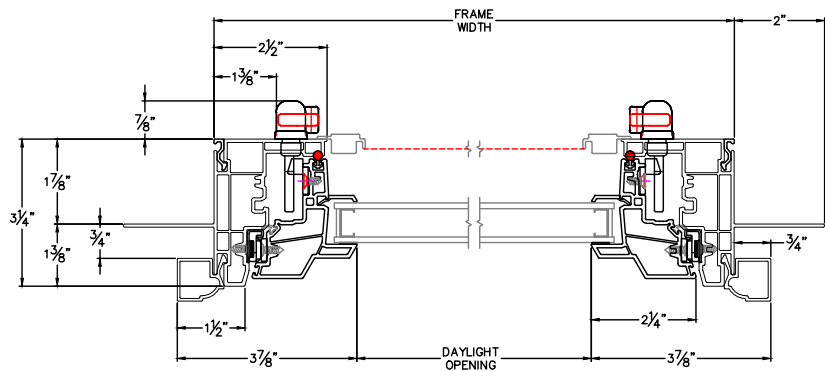
CAD File Scale	View	File Name	Units
NTS	Horizontal & Vertical	8440T-01 FA	Inch

More Technical Documents can be found at milgard.com/professionals
Due to continual research and development, details may be changed at any time. ©2013 Milgard Mfg.

AWNING SERIES 8440



HEAD & SILL



JAMBS

Revit, SketchUp, .PDF and .DWG files can be accessed at
milgard.com/professionals/technical-resources

[Go back to Quick Links](#)

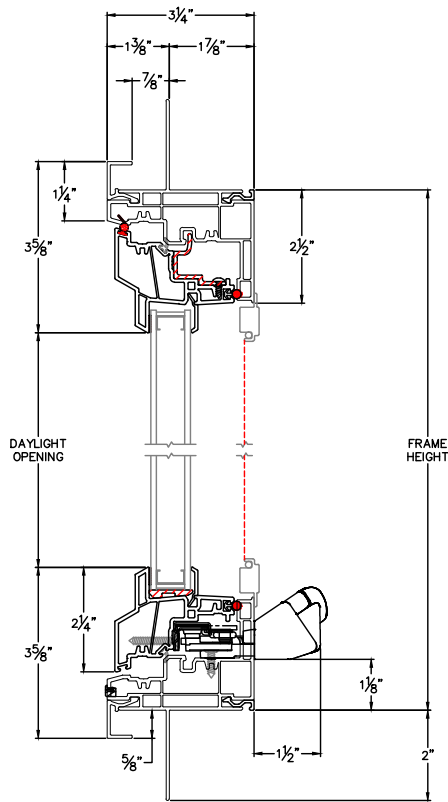
Awning Window

1-3/8" Fin Setback Accessory Groove Frame, 3/4" Flat J Channel

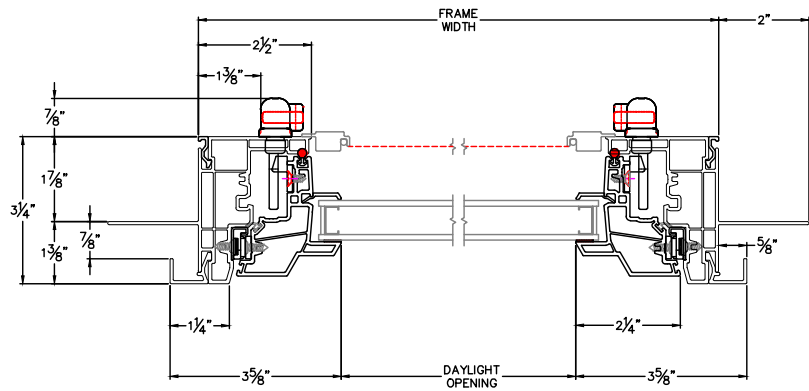
CAD File Scale	View	File Name	Units
NTS	Horizontal & Vertical	8440T-04 FA	Inch

More Technical Documents can be found at milgard.com/professionals
Due to continual research and development, details may be changed at any time. ©2013 Milgard Mfg.

AWNING SERIES 8440



HEAD & SILL



JAMBS

Revit, SketchUp, .PDF and .DWG files can be accessed at
milgard.com/professionals/technical-resources

[Go back to Quick Links](#)

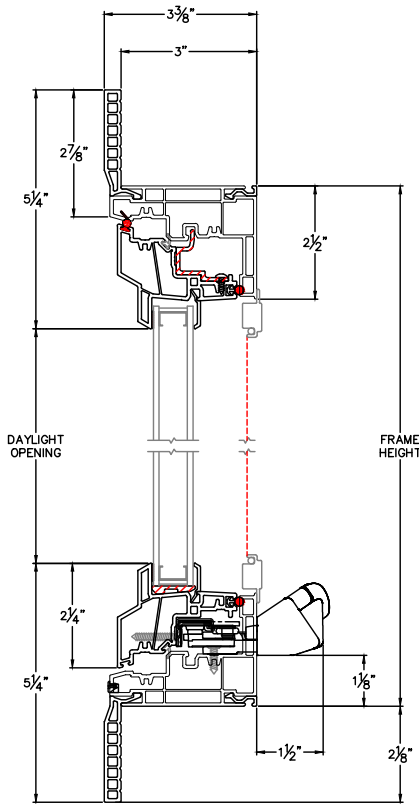
Awning Window

Accessory Groove Frame, 2-1/8" Contour Z-Bar
(Tuscany only)

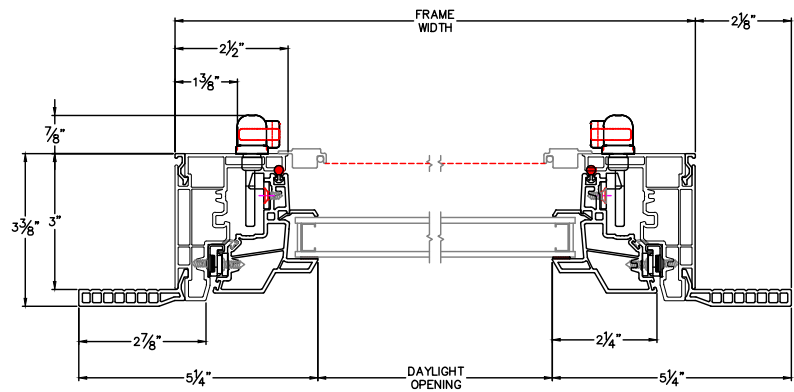
CAD File Scale	View	File Name	Units
NTS	Horizontal & Vertical	8440T-02 FA	Inch

More Technical Documents can be found at milgard.com/professionals
Due to continual research and development, details may be changed at any time. ©2013 Milgard Mfg.

AWNING SERIES 8440



HEAD & SILL



JAMBS

Revit, SketchUp, .PDF and .DWG files can be accessed at
milgard.com/professionals/technical-resources

[Go back to Quick Links](#)

Awning Window

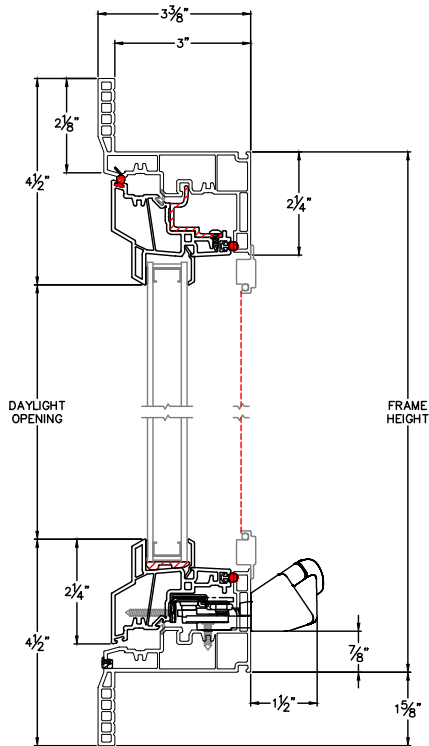
1-5/8" Contour Z-Bar

(Tuscany only)

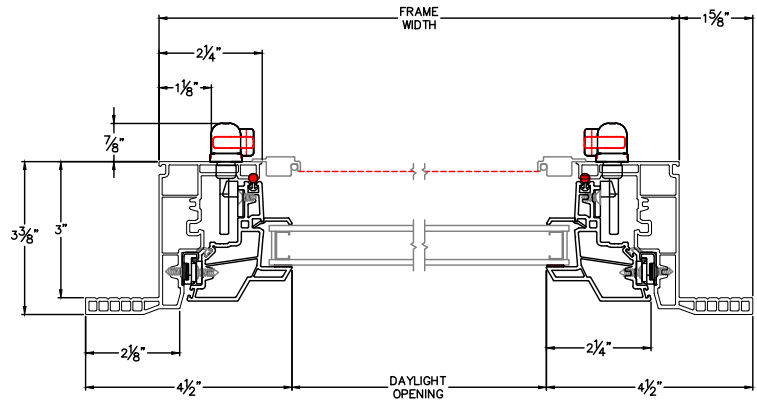
CAD File Scale	View	File Name	Units
NTS	Horizontal & Vertical	8470T-01 FA	Inch

More Technical Documents can be found at milgard.com/professionals
Due to continual research and development, details may be changed at any time. ©2013 Milgard Mfg.

AWNING SERIES 8470



HEAD & SILL



JAMBS

Revit, SketchUp, .PDF and .DWG files can be accessed at
milgard.com/professionals/technical-resources

[Go back to Quick Links](#)

Awning Window

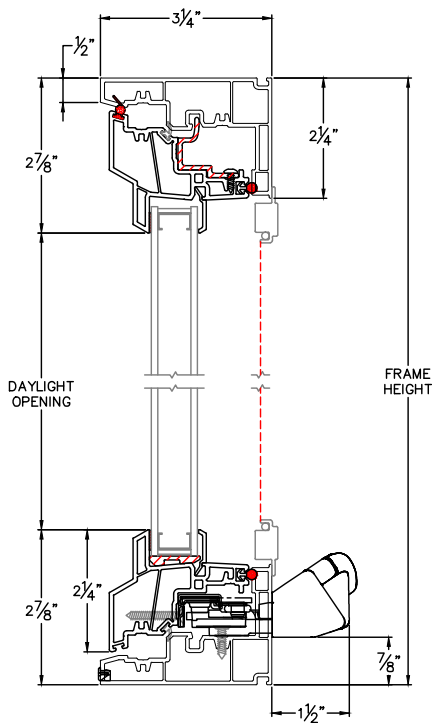
Block Frame

(Tuscany only)

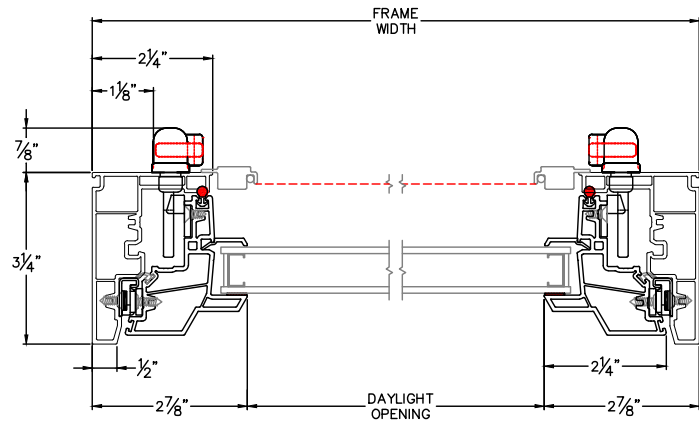
CAD File Scale	View	File Name	Units
NTS	Horizontal & Vertical	8420T-02 FA	Inch

More Technical Documents can be found at milgard.com/professionals
Due to continual research and development, details may be changed at any time. ©2013 Milgard Mfg.

AWNING SERIES 8420



HEAD & SILL



JAMBS

Revit, SketchUp, .PDF and .DWG files can be accessed at
milgard.com/professionals/technical-resources

[Go back to Quick Links](#)

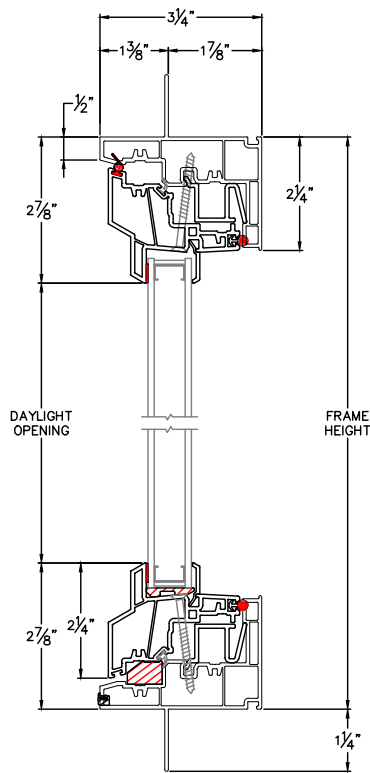
Fixed Awning Window

1-3/8" Fin Setback

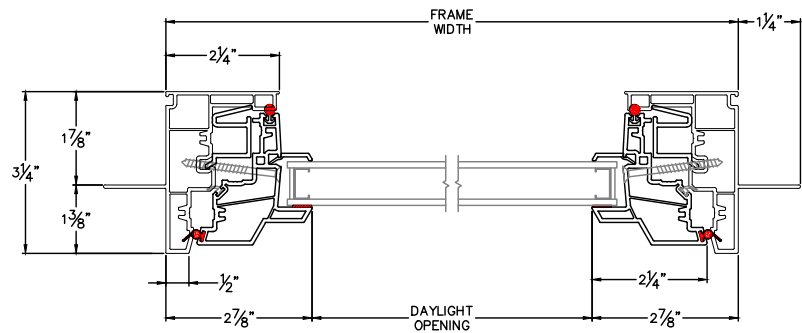
CAD File Scale	View	File Name	Units
NTS	Horizontal & Vertical	8421T-01 FA	Inch

More Technical Documents can be found at milgard.com/professionals
Due to continual research and development, details may be changed at any time. ©2013 Milgard Mfg.

AWNING SERIES 8421



HEAD & SILL



JAMBS

Revit, SketchUp, .PDF and .DWG files can be accessed at
milgard.com/professionals/technical-resources

[Go back to Quick Links](#)

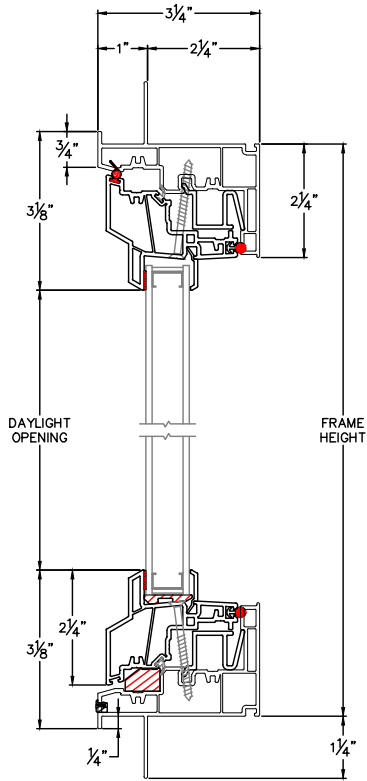
Fixed Awning Window

1" Fin Setback w/Stucco Key

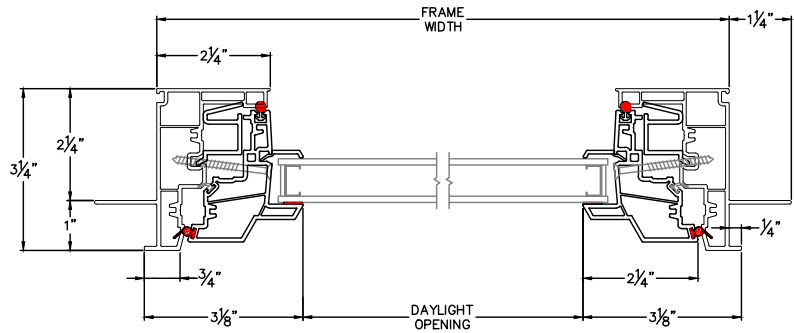
CAD File Scale	View	File Name	Units
NTS	Horizontal & Vertical	8431T-01 FA	Inch

More Technical Documents can be found at milgard.com/professionals
Due to continual research and development, details may be changed at any time. ©2013 Milgard Mfg.

AWNING SERIES 8431



HEAD & SILL



JAMBS

Revit, SketchUp, .PDF and .DWG files can be accessed at
milgard.com/professionals/technical-resources

[Go back to Quick Links](#)

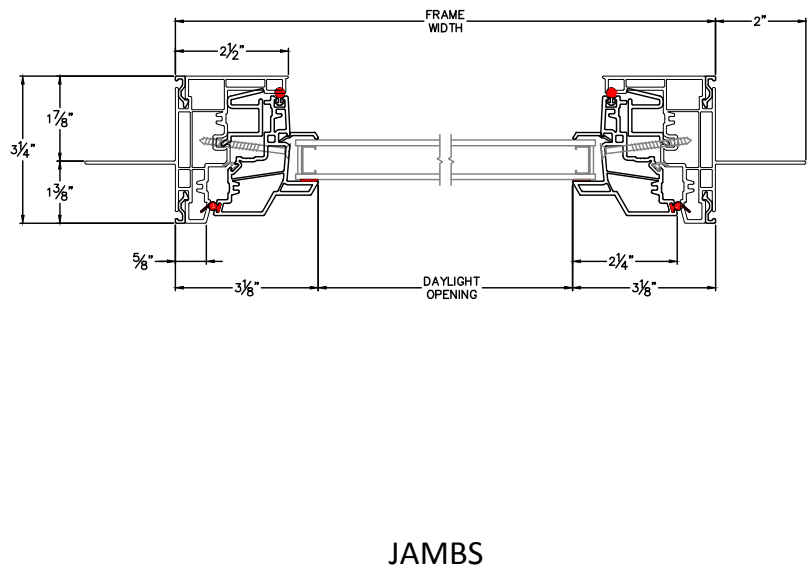
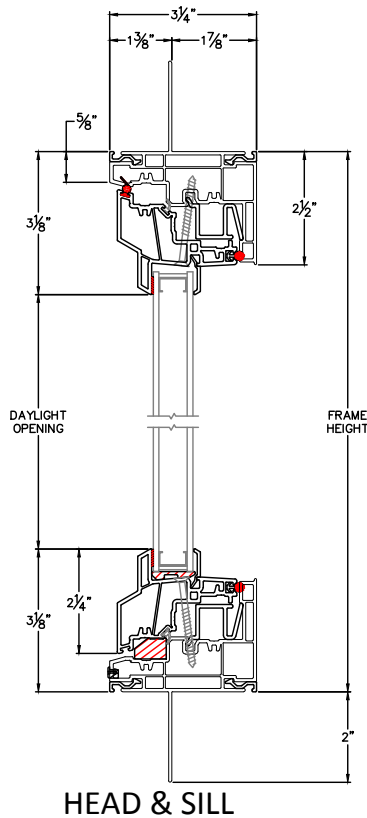
Fixed Awning Window

1-3/8" Fin Setback Accessory Groove Frame, 2" Nail Fin
(Tuscany only)

CAD File Scale	View	File Name	Units
NTS	Horizontal & Vertical	8441T-04 FA	Inch

More Technical Documents can be found at milgard.com/professionals
Due to continual research and development, details may be changed at any time. ©2013 Milgard Mfg.

AWNING SERIES 8441



Revit, SketchUp, .PDF and .DWG files can be accessed at
milgard.com/professionals/technical-resources

[Go back to Quick Links](#)

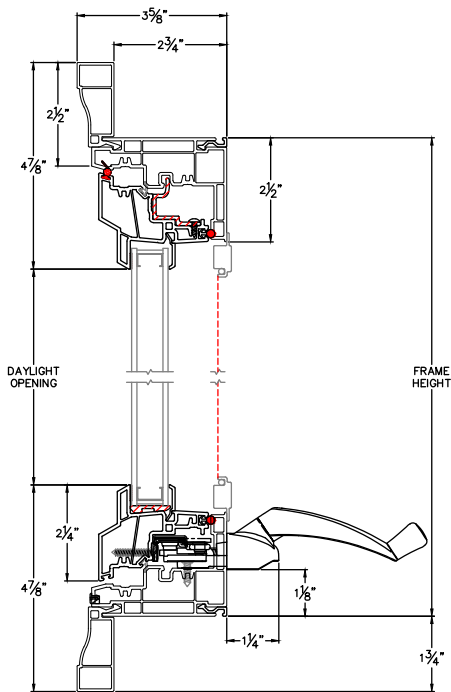
Fixed Awning Window

Welded Brickmold

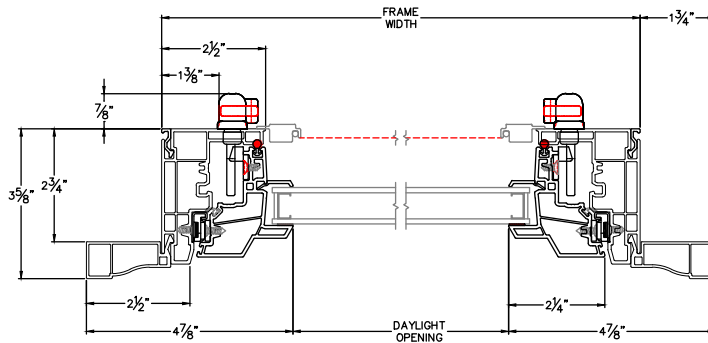
CAD File Scale	View	File Name	Units
NTS	Horizontal & Vertical	Tuscany_8440_FA_welded_brickmold	Inch

More Technical Documents can be found at milgard.com/professionals
Due to continual research and development, details may be changed at any time. ©2013 Milgard Mfg.

AWNING SERIES 8440



HEAD & SILL



JAMBS

Revit, SketchUp, .PDF and .DWG files can be accessed at
milgard.com/professionals/technical-resources

[Go back to Quick Links](#)

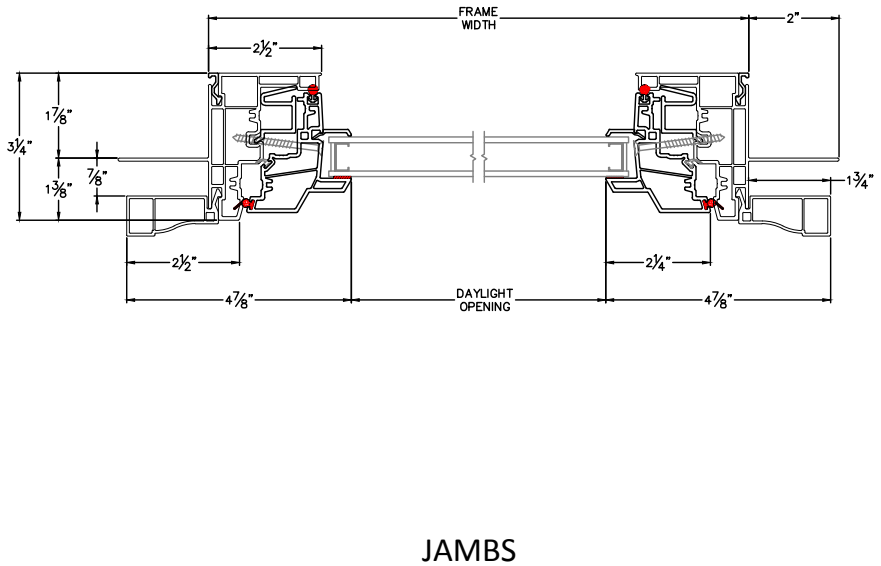
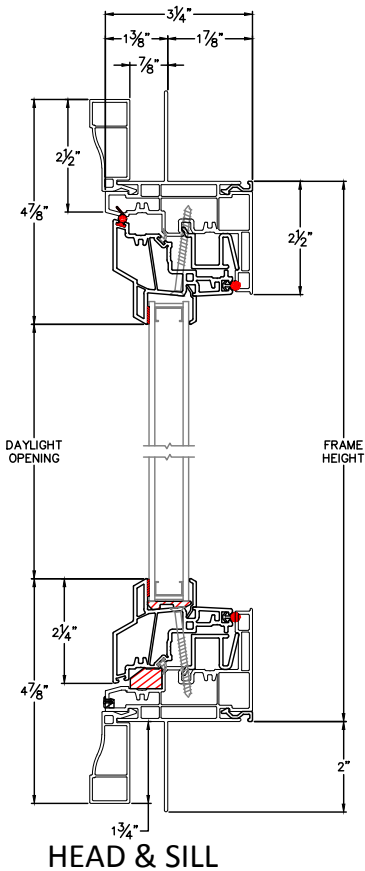
Fixed Awning Window

1-3/8" Fin Setback Accessory Groove Frame, 2" Brickmold

CAD File Scale	View	File Name	Units
NTS	Horizontal & Vertical	8441T-03 FA	Inch

More Technical Documents can be found at milgard.com/professionals
Due to continual research and development, details may be changed at any time. ©2013 Milgard Mfg.

AWNING SERIES 8441



Revit, SketchUp, .PDF and .DWG files can be accessed at
milgard.com/professionals/technical-resources

[Go back to Quick Links](#)

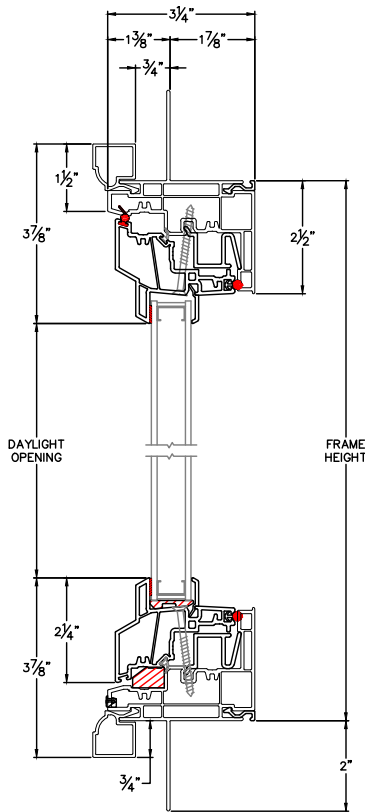
Fixed Awning Window

1-3/8" Fin Setback Accessory Groove Frame, 1" Contour J Channel

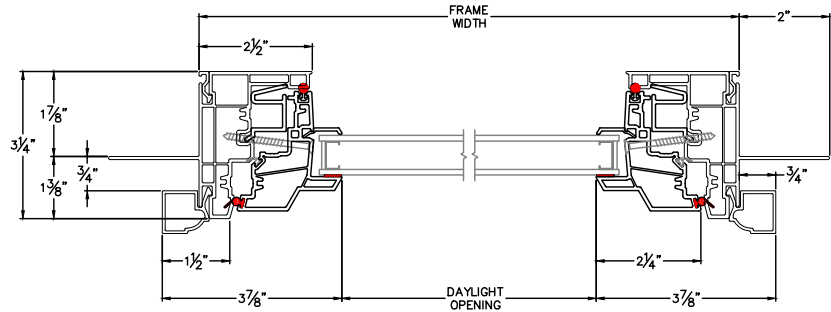
CAD File Scale	View	File Name	Units
NTS	Horizontal & Vertical	8441T-01 FA	Inch

More Technical Documents can be found at milgard.com/professionals
Due to continual research and development, details may be changed at any time. ©2013 Milgard Mfg.

AWNING SERIES 8441



HEAD & SILL



JAMBS

Revit, SketchUp, .PDF and .DWG files can be accessed at
milgard.com/professionals/technical-resources

[Go back to Quick Links](#)

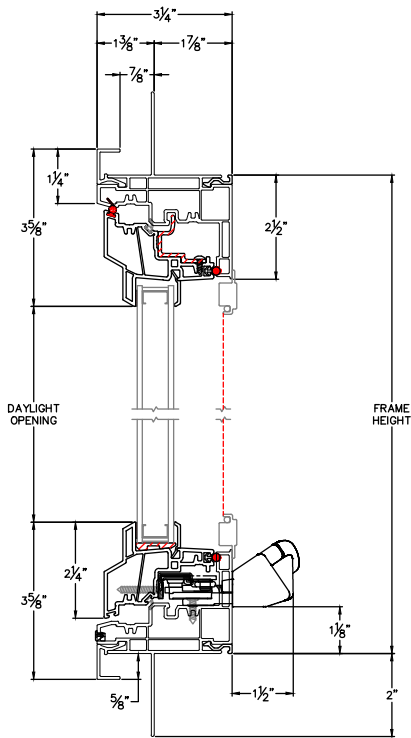
Fixed Awning Window

1-3/8" Fin Setback Accessory Groove Frame, 3/4" Flat J Channel

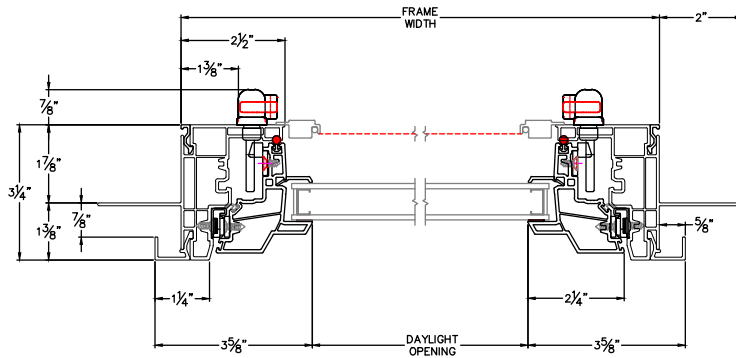
CAD File Scale	View	File Name	Units
NTS	Horizontal & Vertical	8440T-04 FA	Inch

More Technical Documents can be found at milgard.com/professionals
Due to continual research and development, details may be changed at any time. ©2013 Milgard Mfg.

AWNING SERIES 8440



HEAD & SILL



JAMBS

Revit, SketchUp, .PDF and .DWG files can be accessed at
milgard.com/professionals/technical-resources

[Go back to Quick Links](#)

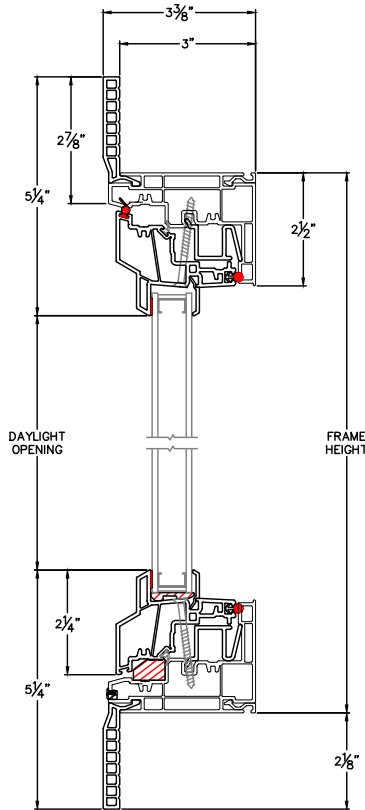
Fixed Awning Window

Accessory Groove Frame, 2-1/8" Contour Z-Bar
(Tuscany only)

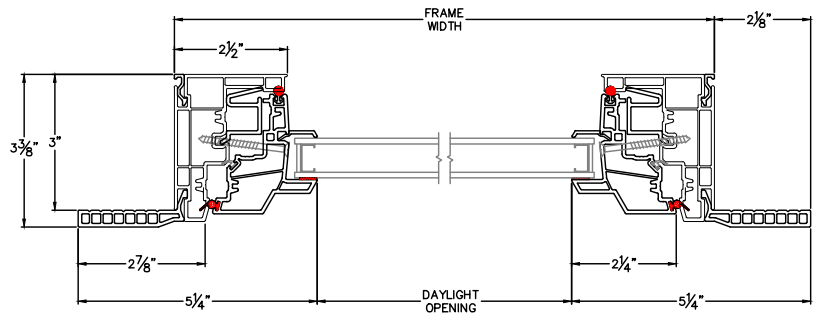
CAD File Scale	View	File Name	Units
NTS	Horizontal & Vertical	8441T-02 FA	Inch

More Technical Documents can be found at milgard.com/professionals
Due to continual research and development, details may be changed at any time. ©2013 Milgard Mfg.

AWNING SERIES 8441



HEAD & SILL



JAMBS

Revit, SketchUp, .PDF and .DWG files can be accessed at
milgard.com/professionals/technical-resources

[Go back to Quick Links](#)

Fixed Awning Window

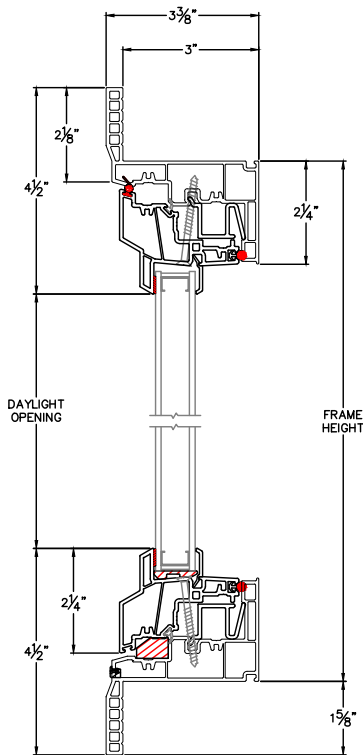
1-5/8" Contour Z-Bar

(Tuscany only)

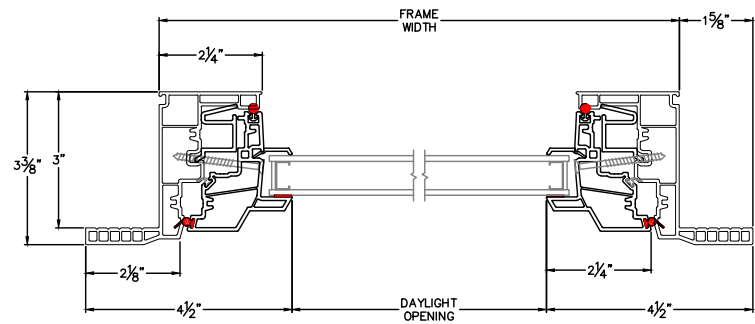
CAD File Scale	View	File Name	Units
NTS	Horizontal & Vertical	8471T-01 FA	Inch

More Technical Documents can be found at milgard.com/professionals
Due to continual research and development, details may be changed at any time. ©2013 Milgard Mfg.

AWNING SERIES 8471



HEAD & SILL



JAMBS

Revit, SketchUp, .PDF and .DWG files can be accessed at
milgard.com/professionals/technical-resources

[Go back to Quick Links](#)

Fixed Awning Window

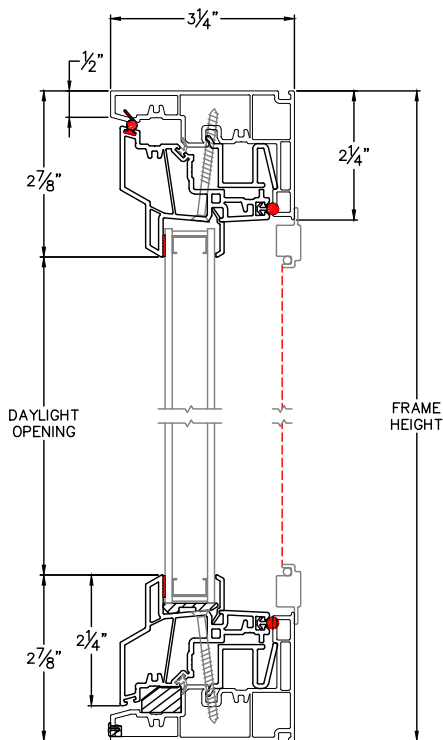
Block Frame

(Tuscany only)

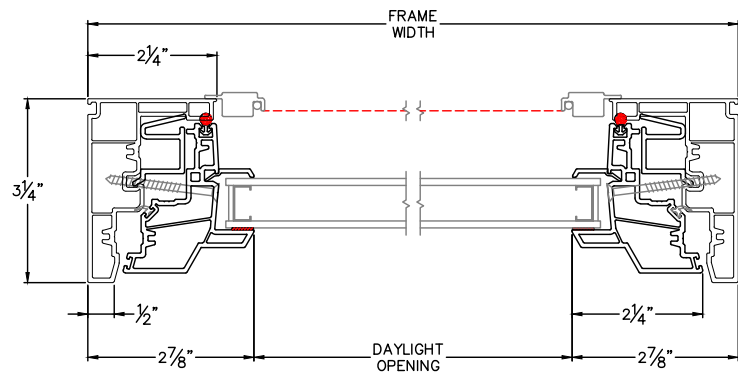
CAD File Scale	View	File Name	Units
NTS	Horizontal & Vertical	8421T-02 FA	Inch

More Technical Documents can be found at milgard.com/professionals
Due to continual research and development, details may be changed at any time. ©2013 Milgard Mfg.

AWNING SERIES 8421



HEAD & SILL



JAMBS

Revit, SketchUp, .PDF and .DWG files can be accessed at
milgard.com/professionals/technical-resources

[Go back to Quick Links](#)

Casement Window



A casement window swings outward like a door, hinged on right or left side. Casement windows can be used alone or in tandem with other Milgard Tuscany or Montecito windows for virtually any design specification.

The Tuscany Series and Montecito Series vinyl casement window offers the outstanding insulating properties, low maintenance, and contemporary aesthetic appeal only vinyl can provide. Available in white, tan, and clay (select regions), as well as premium painted exteriors. The windows will maintain their color and shape and can be constructed to your exact size specifications, subject to engineering review.

Please also see:

[Casement Hardware](#)

[Premium Exterior Vinyl Finishes](#)

[Full Lifetime Warranty](#)

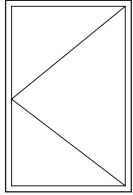
[Energy Packages](#)

[Accessories](#)

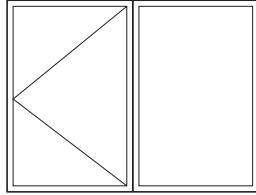


Casement Window

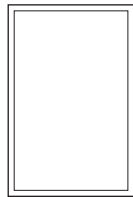
Configurations



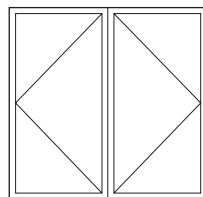
Full Casement



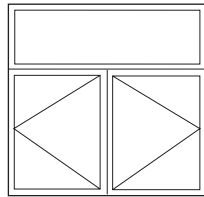
Single Casement



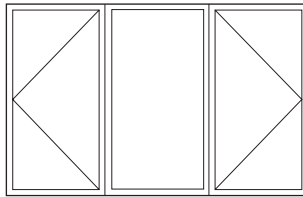
Fixed Casement



Double Casement



Double bottom Casement



Double Casement/Picture

NOTE: For engineering approval contact your Milgard representative for any configuration over 40 square feet. Each Milgard Manufacturing plant reserves the right to alter or change sizes and configurations according to location capabilities. Ask your Milgard rep about specialty applications. Windows over 40 square feet shipped open for field glazing. Varies by location.

Not all frame styles available at all Milgard locations. Contact your Milgard Representative for more information.

Minimum/Maximum Sizes

FULL CASEMENT

- Min 1⁶1⁰ Max 3⁰5⁰ or 2⁶6⁰

SINGLE CASEMENT

- Min 3⁰1⁶ Max 6⁰5⁰ or 5⁰6⁰

DOUBLE CASEMENT WITH PICTURE

- Min 4⁰1⁶ Max 12⁰6⁰ with 30" vent set
- Maximum vent size is 15 square feet
- Minimum egress for casement is 2¹¹3⁶ or 2⁴4⁰
- 18" height and width required for rotary hardware

FIXED CASEMENT

- Min 1⁶1⁰ Max 6⁰6⁰

Available Frame Styles

NO NAIL-ON FIN:

8520T Block Frame

8570T 1-5/8" Narrow Z-Bar (Tuscany only)

8540T 2-1/8" Wide Z-Bar (Tuscany only)

INCLUDES NAIL-ON FIN:

8520T 1-3/8" Nail Fin Setback

8530T 1" Nail Fin Setback with Stucco Key

8540T 1-3/8" Nail Fin Setback, 2" Long Nail Fin

8540T 1-3/8" Nail Fin Setback, 2" Long Nail Fin with optional:

- 3/4" Flat J-channel
- 1" Contoured J-channel
- 2" Brickmold-style J-channel
- Welded Brickmold

Drawings - Quick Links

Casement Window

- 39—1-3/8" Fin Setback
- 40—1-3/8" Fin Setback with stucco key
- 41—1" Fin Setback w/Stucco Key
- 42—1-3/8" Fin Setback Accessory Groove Frame, 2" Nail Fin
- 43—Welded Brickmold
- 44—1-3/8" Fin Setback Accessory Groove Frame, 2" Brickmold
- 45—1-3/8" Fin Setback Accessory Groove Frame, 1" Contour J Channel
- 46—1-3/8" Fin Setback Accessory Groove Frame, 3/4" Flat J Channel
- 47—Accessory Groove Frame, 2-1/8" Contour Z-Bar
- 48—1-5/8" Contour Z-Bar
- 49—Block Frame
- 50—Casement over Picture 1" Setback Stucco Key
- 51—Double Casement 1" Setback Stucco Key
- 52—Double over Double Fixed 1-3/8" Setback
- 53—Double over Fixed 1-3/8" Setback

Fixed Casement Window

- 54—1-3/8" Fin Setback
- 55—1" Fin Setback w/Stucco Key
- 56—1-3/8" Fin Setback Accessory Groove Frame, 2" Nail Fin
- 57—Welded Brickmold
- 58—1-3/8" Fin Setback Accessory Groove Frame, 2" Brickmold
- 59—1-3/8" Fin Setback Accessory Groove Frame, 1" Contour J Channel
- 60—1-3/8" Fin Setback Accessory Groove Frame, 3/4" Flat J Channel
- 61—Accessory Groove Frame, 2-1/8" Contour Z-Bar
- 62—1-5/8" Contour Z-Bar
- 63—Block Frame

Revit, SketchUp, .PDF and .DWG files can be accessed at milgard.com/professionals/technical-resources

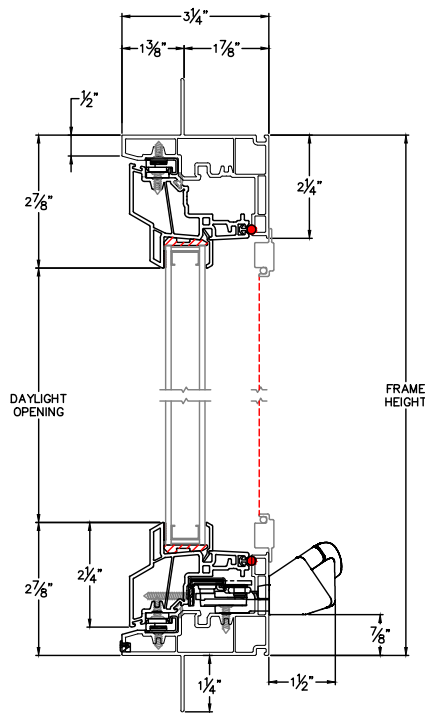
Casement Window

1-3/8" Fin Setback

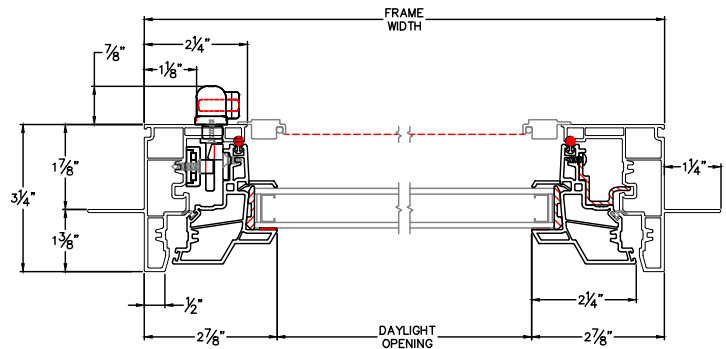
CAD File Scale	View	File Name	Units
NTS	Horizontal & Vertical	8520T-02 FC	Inch

More Technical Documents can be found at milgard.com/professionals
Due to continual research and development, details may be changed at any time. ©2013 Milgard Mfg.

CASEMENT SERIES 8520



HEAD & SILL



JAMBS

Revit, SketchUp, .PDF and .DWG files can be accessed at
milgard.com/professionals/technical-resources

[Go back to Quick Links](#)

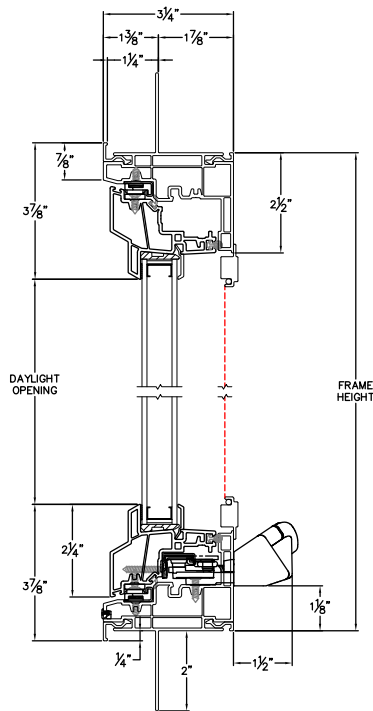
Casement Window

1-3/8" Fin Setback with stucco key

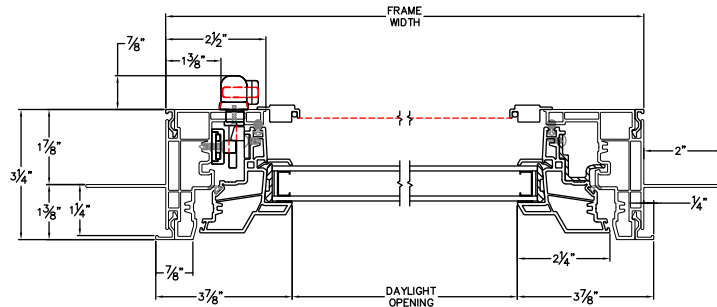
CAD File Scale	View	File Name	Units	Revision
NTS	Horizontal & Vertical	Tuscany_8540_FC_1.375in_stucco	Inch	6/2015

More Technical Documents can be found at milgard.com/professionals
Due to continual research and development, details may be changed at any time. ©2013 Milgard Mfg.

CASEMENT SERIES 8540



HEAD & SILL



JAMBS

Revit, SketchUp, .PDF and .DWG files can be accessed at
milgard.com/professionals/technical-resources

[Go back to Quick Links](#)

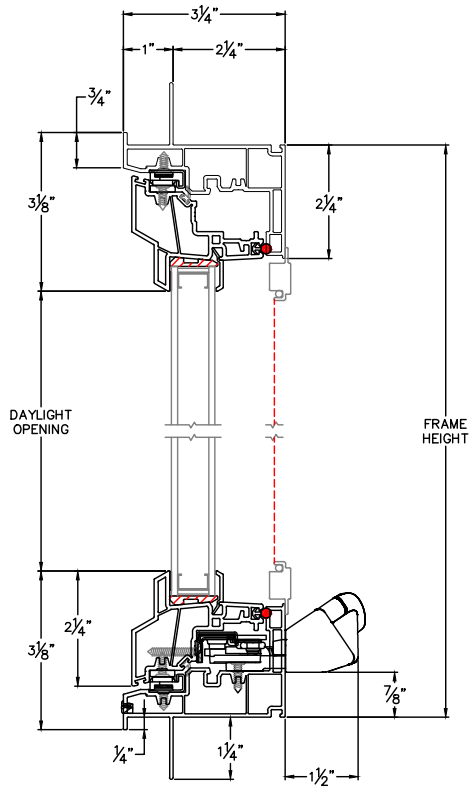
Casement Window

1" Fin Setback w/Stucco Key

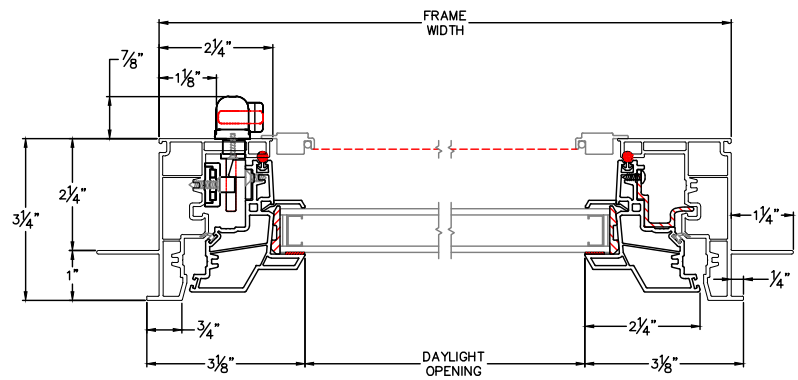
CAD File Scale	View	File Name	Units
NTS	Horizontal & Vertical	8530T-01 FC	Inch

More Technical Documents can be found at milgard.com/professionals
Due to continual research and development, details may be changed at any time. ©2013 Milgard Mfg.

CASEMENT SERIES 8530



HEAD & SILL



JAMBS

Revit, SketchUp, .PDF and .DWG files can be accessed at
milgard.com/professionals/technical-resources

[Go back to Quick Links](#)

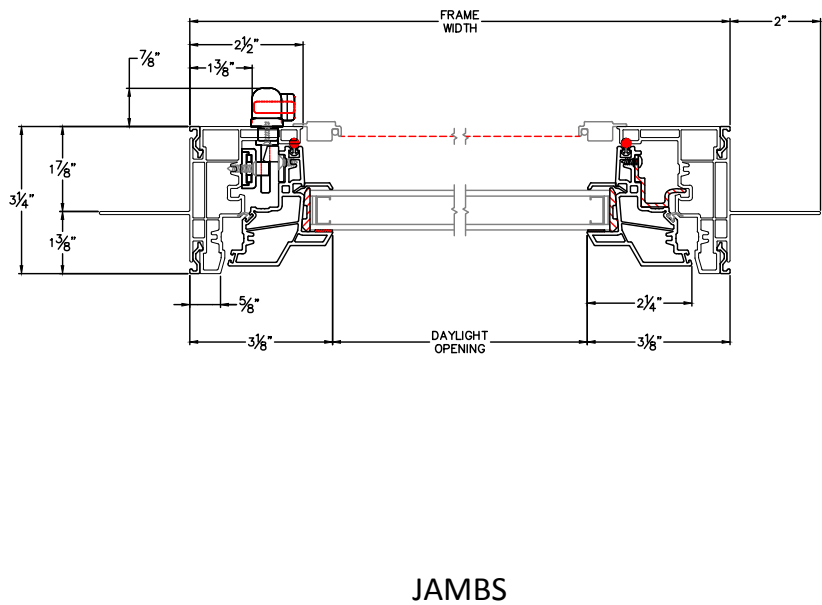
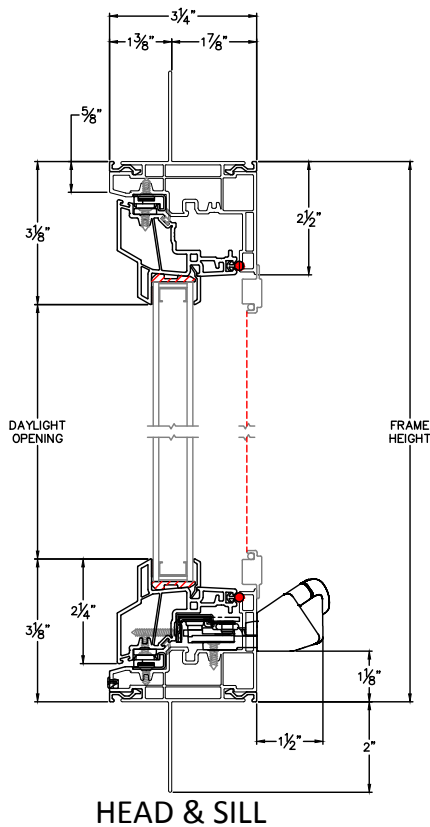
Casement Window

1-3/8" Fin Setback Accessory Groove Frame, 2" Nail Fin
(Tuscany only)

CAD File Scale	View	File Name	Units
NTS	Horizontal & Vertical	8540T-05 FC	Inch

More Technical Documents can be found at milgard.com/professionals
Due to continual research and development, details may be changed at any time. ©2013 Milgard Mfg.

CASEMENT SERIES 8540



Revit, SketchUp, .PDF and .DWG files can be accessed at
milgard.com/professionals/technical-resources

[Go back to Quick Links](#)

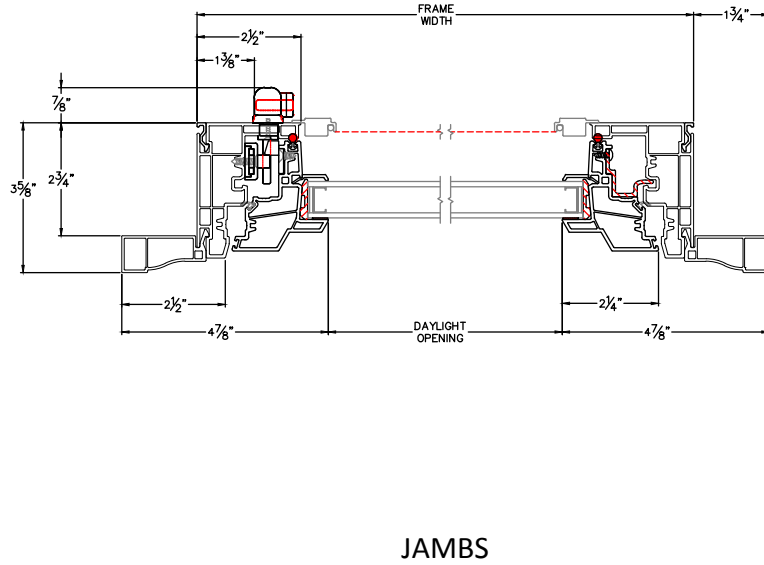
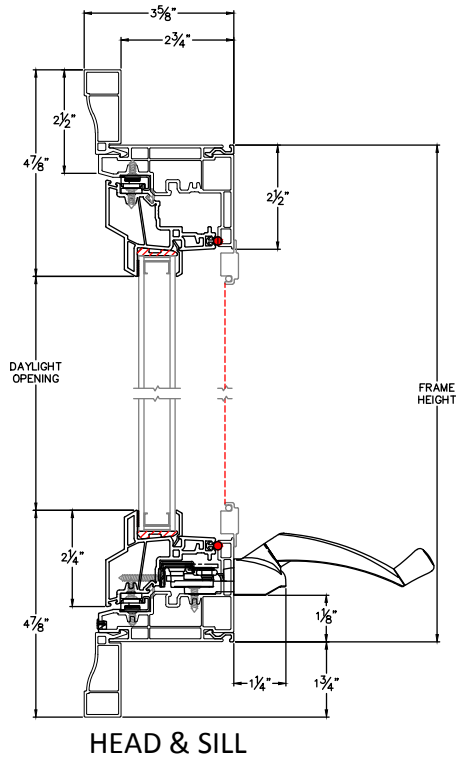
Casement Window

Welded Brickmold

CAD File Scale	View	File Name	Units
NTS	Horizontal & Vertical	Montecito_8540_FC_welded_brickmold	Inch

More Technical Documents can be found at milgard.com/professionals
Due to continual research and development, details may be changed at any time. ©2013 Milgard Mfg.

CASEMENT SERIES 8540



Revit, SketchUp, .PDF and .DWG files can be accessed at
milgard.com/professionals/technical-resources

[Go back to Quick Links](#)

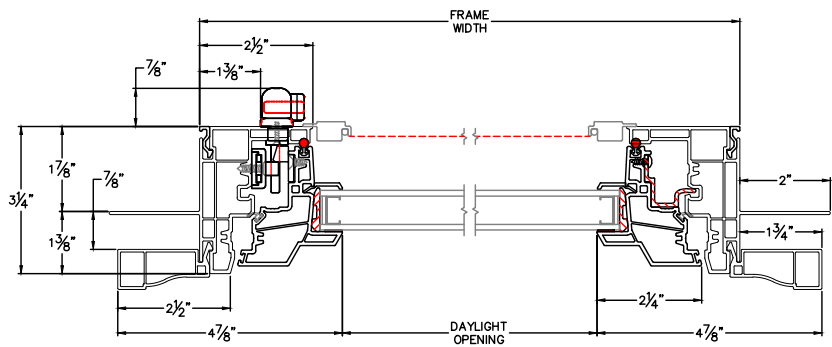
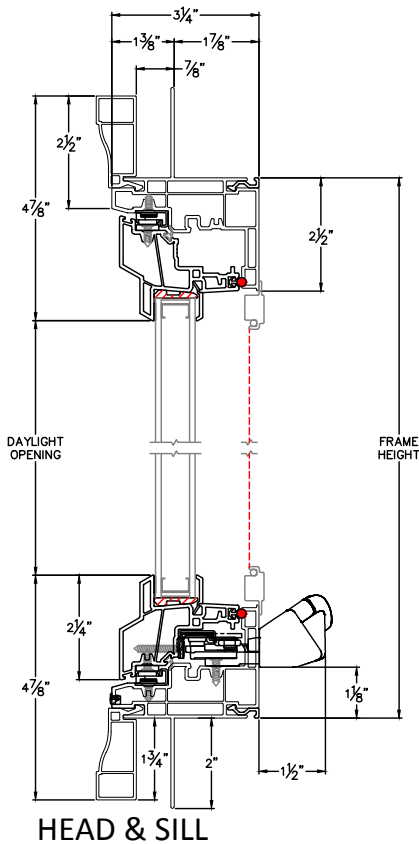
Casement Window

1-3/8" Fin Setback Accessory Groove Frame, 2" Brickmold

CAD File Scale	View	File Name	Units
NTS	Horizontal & Vertical	8540T-02 FC	Inch

More Technical Documents can be found at milgard.com/professionals
Due to continual research and development, details may be changed at any time. ©2013 Milgard Mfg.

CASEMENT SERIES 8540



JAMBS

Revit, SketchUp, .PDF and .DWG files can be accessed at milgard.com/professionals/technical-resources

[Go back to Quick Links](#)

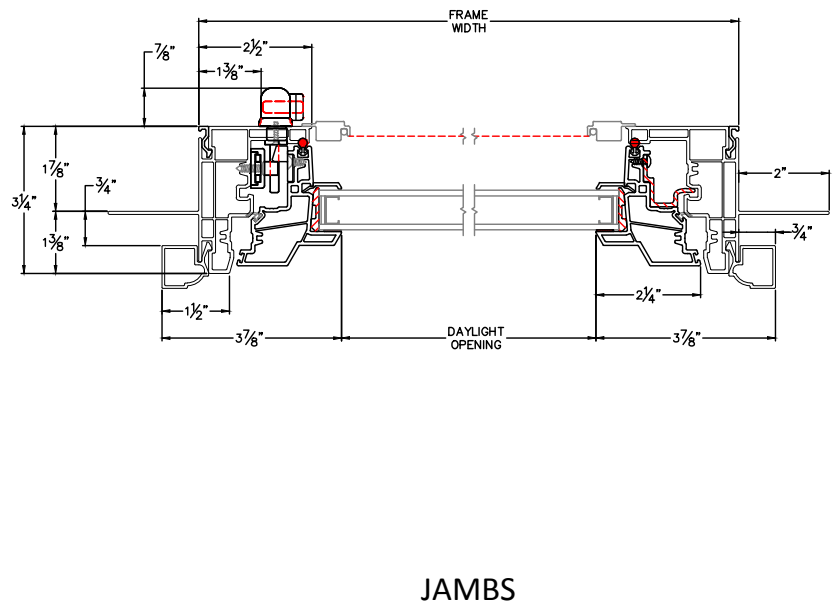
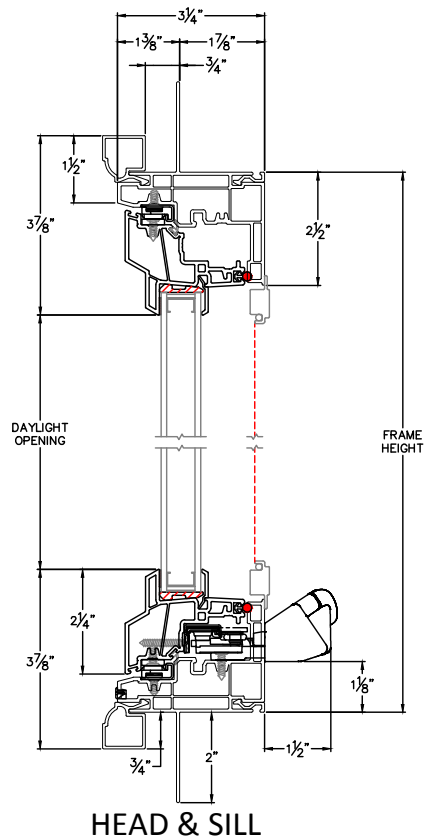
Casement Window

1-3/8" Fin Setback Accessory Groove Frame, 1" Contour J Channel

CAD File Scale	View	File Name	Units
NTS	Horizontal & Vertical	8540T-01 FC	Inch

More Technical Documents can be found at milgard.com/professionals
Due to continual research and development, details may be changed at any time. ©2013 Milgard Mfg.

CASEMENT SERIES 8540



Revit, SketchUp, .PDF and .DWG files can be accessed at
milgard.com/professionals/technical-resources

[Go back to Quick Links](#)

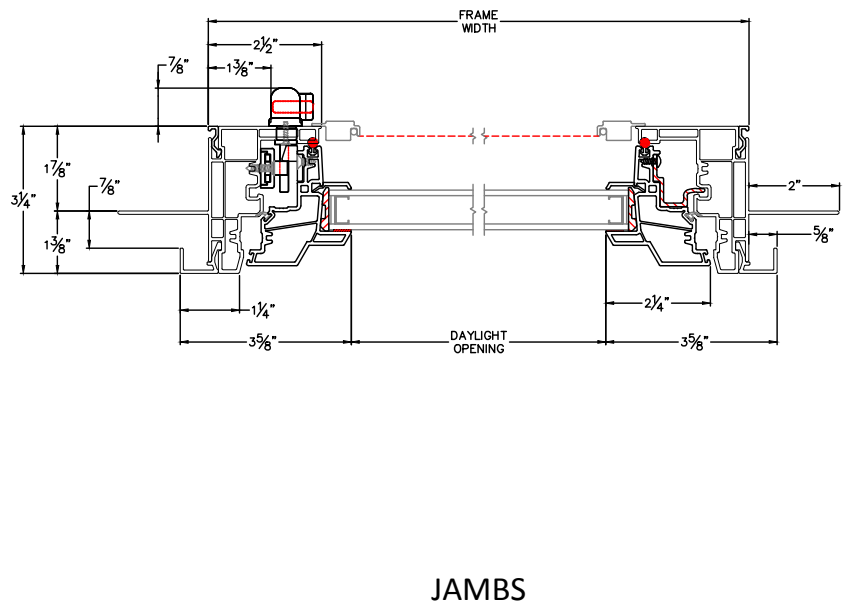
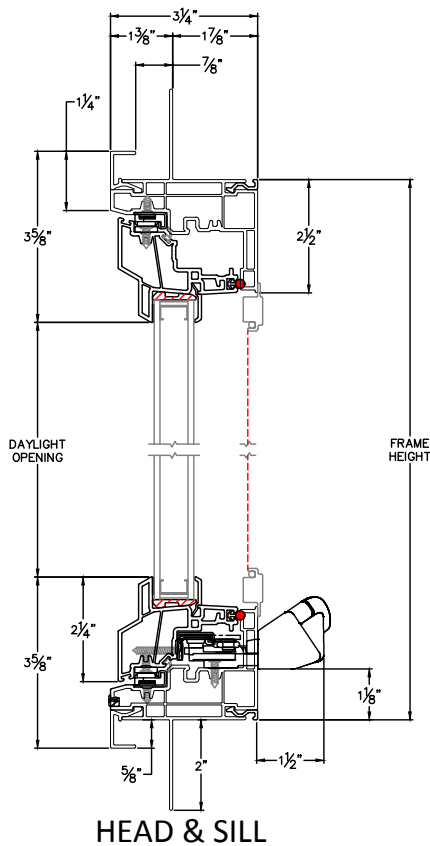
Casement Window

1-3/8" Fin Setback Accessory Groove Frame, 3/4" Flat J Channel

CAD File Scale	View	File Name	Units
NTS	Horizontal & Vertical	8540T-04 FC	Inch

More Technical Documents can be found at milgard.com/professionals
Due to continual research and development, details may be changed at any time. ©2013 Milgard Mfg.

CASEMENT SERIES 8540



Revit, SketchUp, .PDF and .DWG files can be accessed at
milgard.com/professionals/technical-resources

[Go back to Quick Links](#)

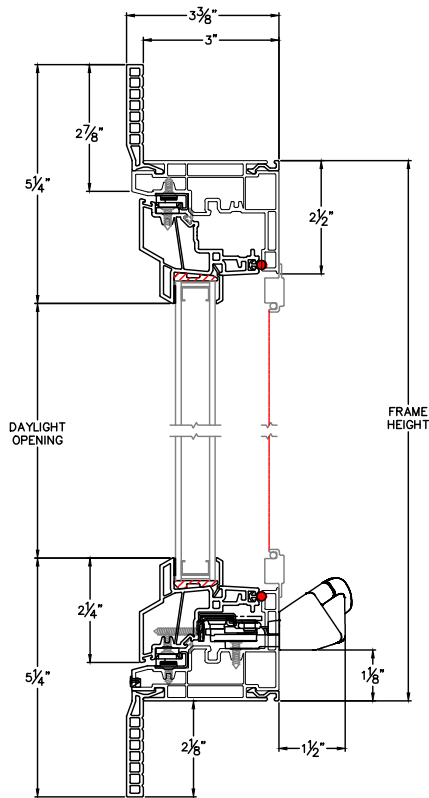
Casement Window

Accessory Groove Frame, 2-1/8" Contour Z-Bar
(Tuscany only)

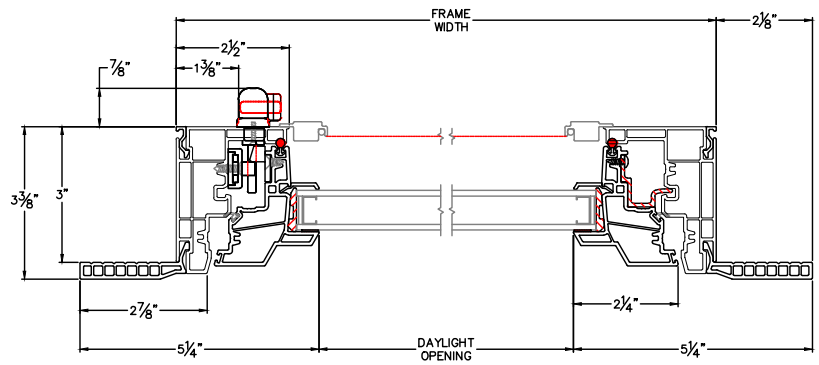
CAD File Scale	View	File Name	Units
NTS	Horizontal & Vertical	8540T-03 FC	Inch

More Technical Documents can be found at milgard.com/professionals
Due to continual research and development, details may be changed at any time. ©2013 Milgard Mfg.

CASEMENT SERIES 8540



HEAD & SILL



JAMBS

Revit, SketchUp, .PDF and .DWG files can be accessed at
milgard.com/professionals/technical-resources

[Go back to Quick Links](#)

Casement Window

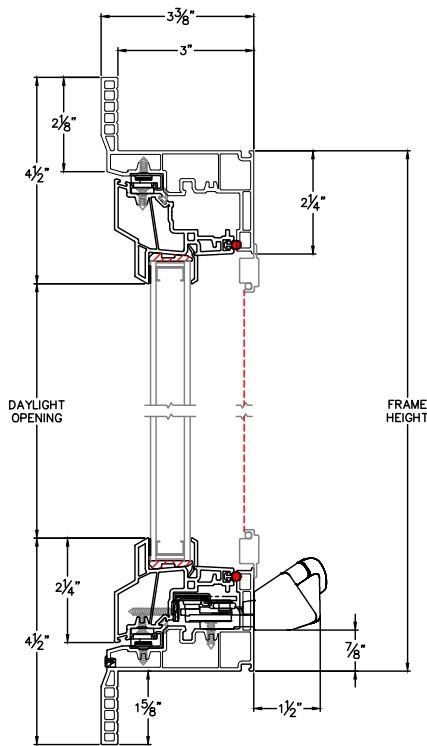
1-5/8" Contour Z-Bar

(Tuscany only)

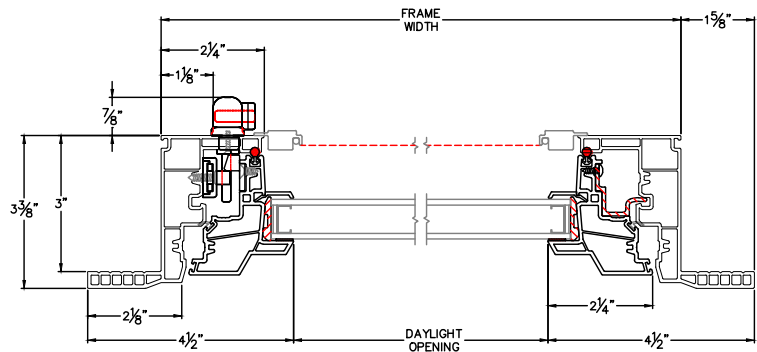
CAD File Scale	View	File Name	Units
NTS	Horizontal & Vertical	8570T-01 FC	Inch

More Technical Documents can be found at milgard.com/professionals
Due to continual research and development, details may be changed at any time. ©2013 Milgard Mfg.

CASEMENT SERIES 8570



HEAD & SILL



JAMBS

Revit, SketchUp, .PDF and .DWG files can be accessed at
milgard.com/professionals/technical-resources

[Go back to Quick Links](#)

Casement Window

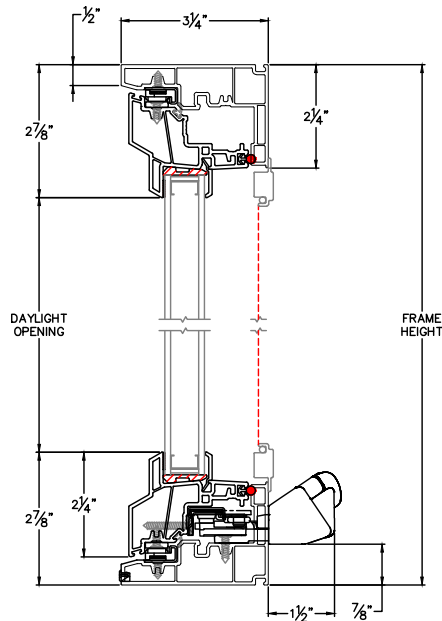
Block Frame

(Tuscany only)

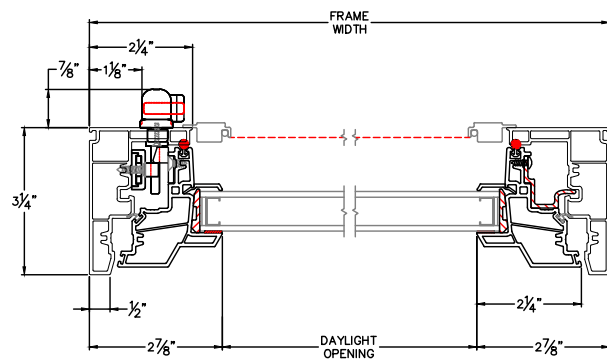
CAD File Scale	View	File Name	Units
NTS	Horizontal & Vertical	8520T-01 FC	Inch

More Technical Documents can be found at milgard.com/professionals
Due to continual research and development, details may be changed at any time. ©2013 Milgard Mfg.

CASEMENT SERIES 8520



HEAD & SILL



JAMBS

Revit, SketchUp, .PDF and .DWG files can be accessed at
milgard.com/professionals/technical-resources

[Go back to Quick Links](#)

Casement Window

Casement over Picture 1" Setback Stucco Key

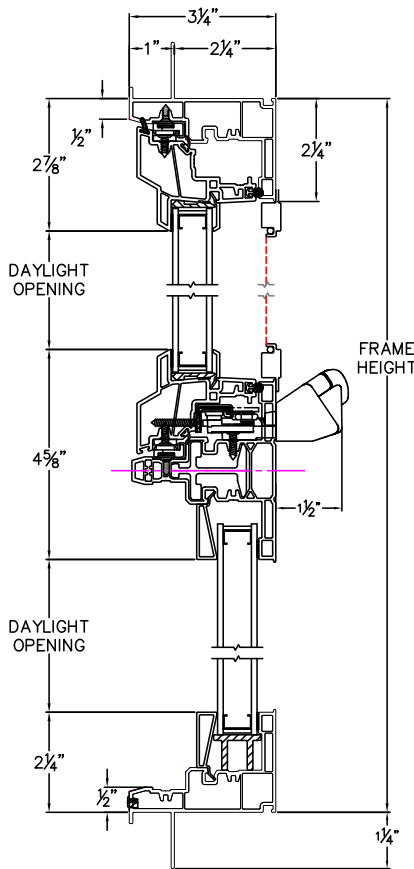
CAD File Scale
NTS

View
Horizontal & Vertical

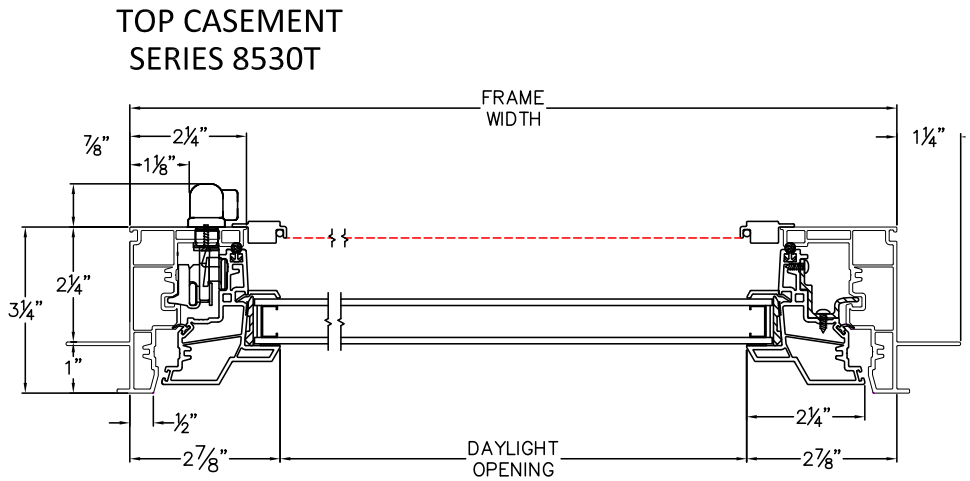
File Name
8530T TC

Units
Inch

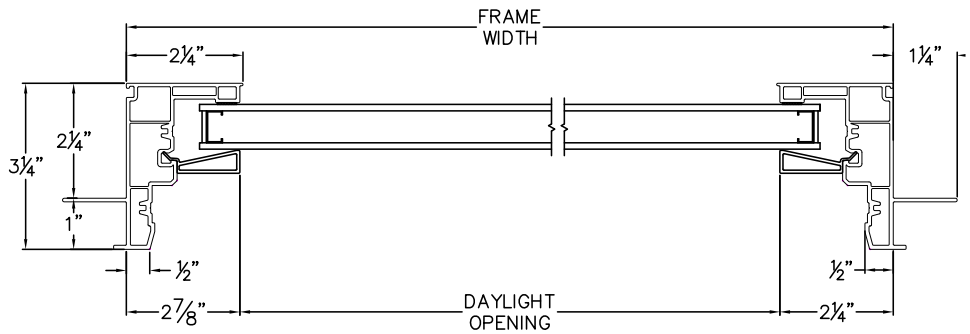
More Technical Documents can be found at milgard.com/professionals
Due to continual research and development, details may be changed at any time. ©2013 Milgard Mfg.



HEAD & SILL



TOP CASEMENT
SERIES 8530T



JAMBS

Revit, SketchUp, .PDF and .DWG files can be accessed at
milgard.com/professionals/technical-resources

[Go back to Quick Links](#)

Casement Window

Double Casement 1" Setback Stucco Key

CAD File Scale
NTS

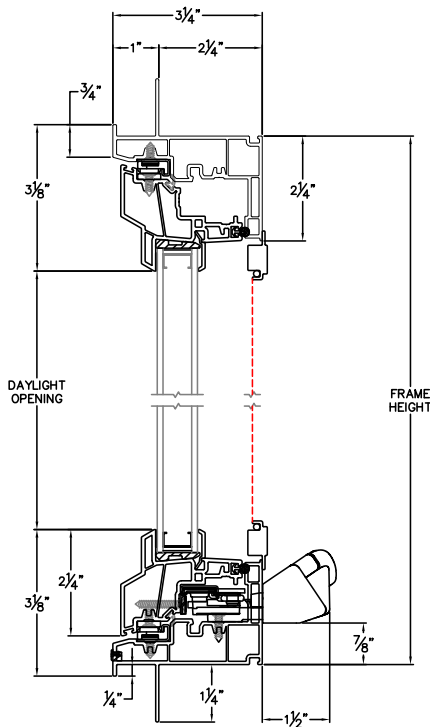
View
Horizontal & Vertical

File Name
8530T DC

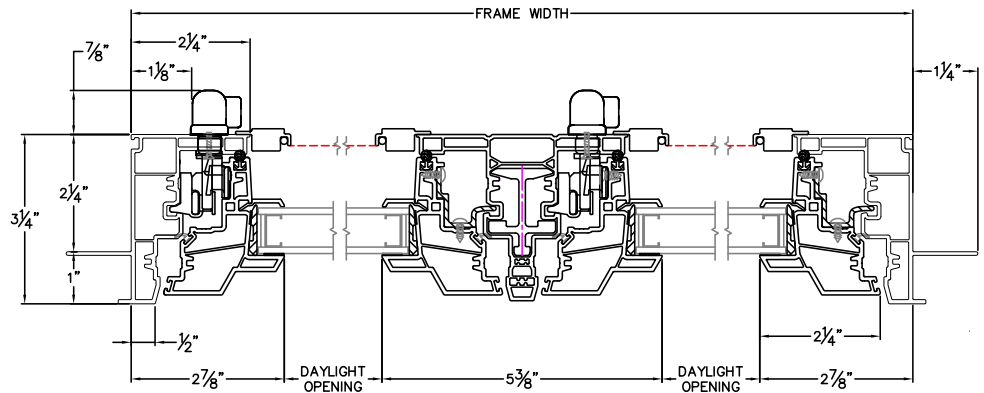
Units
Inch

More Technical Documents can be found at milgard.com/professionals
Due to continual research and development, details may be changed at any time. ©2013 Milgard Mfg.

CASEMENT SERIES 8530T



HEAD & SILL



JAMBS

Revit, SketchUp, .PDF and .DWG files can be accessed at
milgard.com/professionals/technical-resources

[Go back to Quick Links](#)

Casement Window

Double over Double Fixed 1-3/8" Setback

CAD File Scale
NTS

View
Horizontal & Vertical

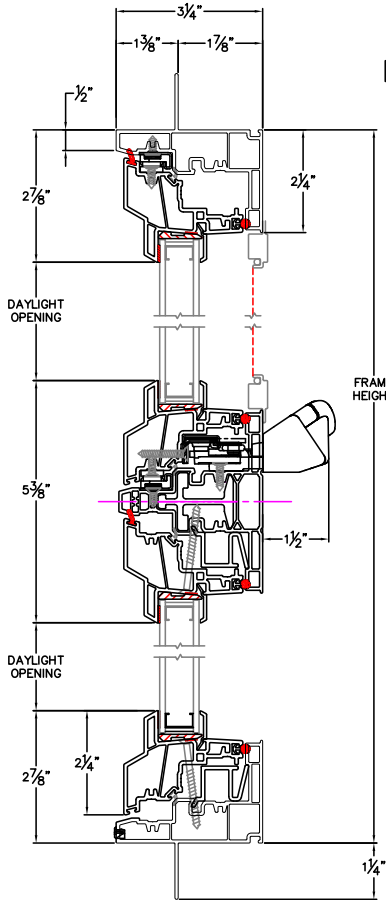
File Name
8520T DBC2F

Units
Inch

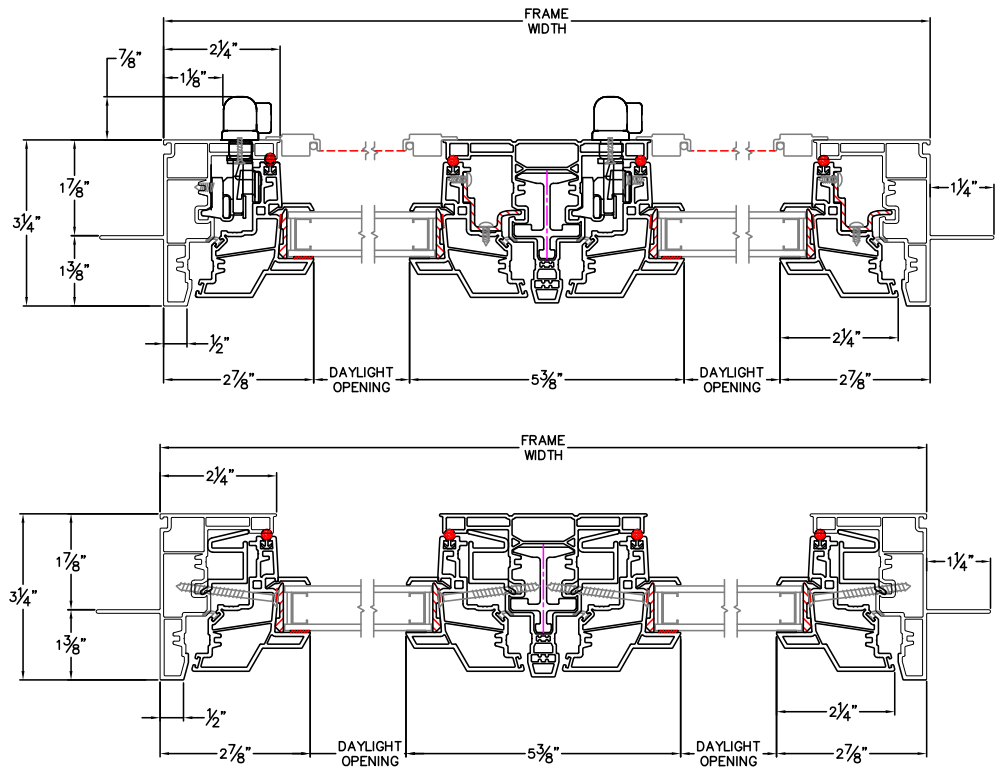
More Technical Documents can be found at milgard.com/professionals

Due to continual research and development, details may be changed at any time. ©2013 Milgard Mfg.

DOUBLE TOP CASEMENT, 2 LITES FIXED SERIES 8520



HEAD & SILL



JAMBS

Revit, SketchUp, .PDF and .DWG files can be accessed at
milgard.com/professionals/technical-resources

[Go back to Quick Links](#)

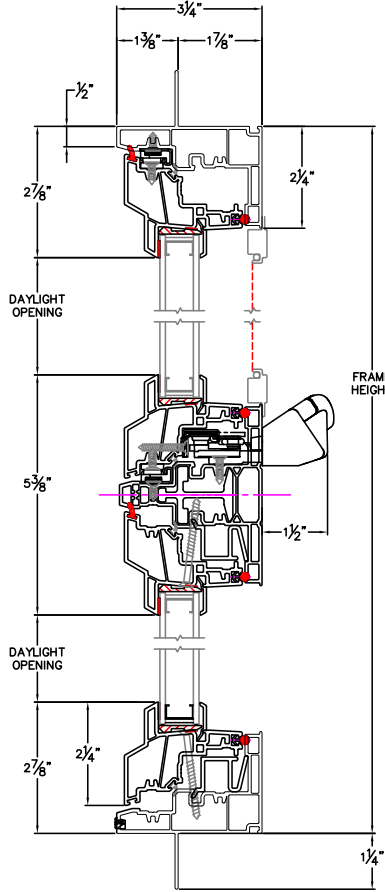
Casement Window

Double over Fixed 1-3/8" Setback

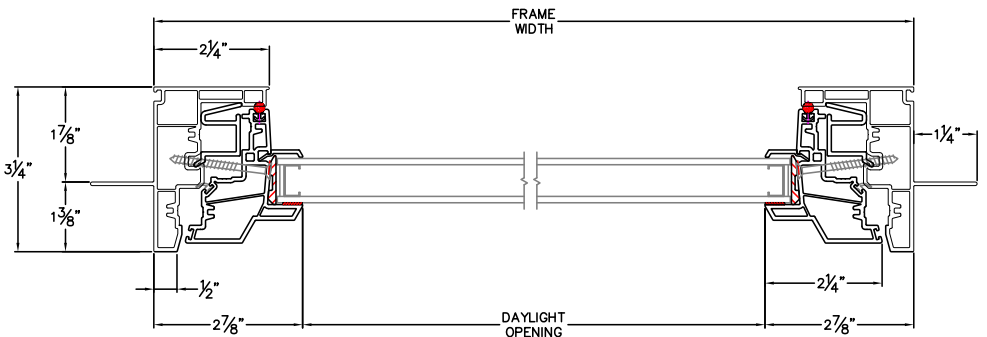
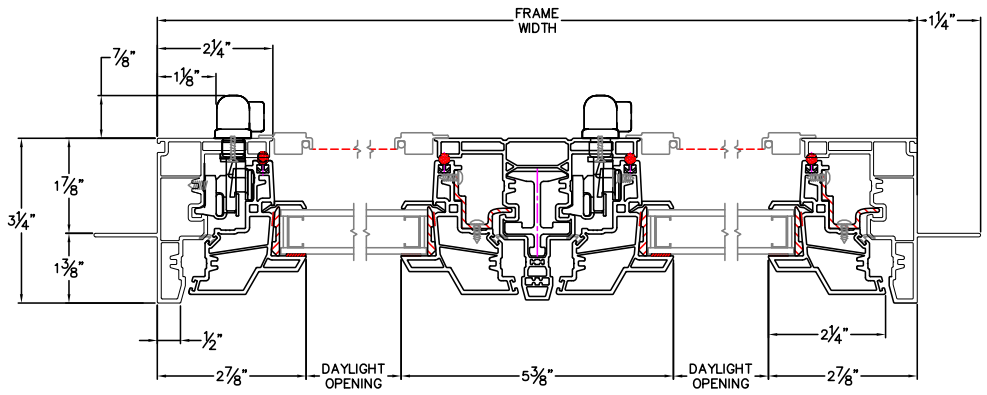
CAD File Scale	View	File Name	Units
NTS	Horizontal & Vertical	8520T DBC2F	Inch

More Technical Documents can be found at milgard.com/professionals
Due to continual research and development, details may be changed at any time. ©2013 Milgard Mfg.

DOUBLE TOP CASEMENT, FIXED LITE SERIES 8520



HEAD & SILL



JAMBS

Revit, SketchUp, .PDF and .DWG files can be accessed at
milgard.com/professionals/technical-resources

[Go back to Quick Links](#)

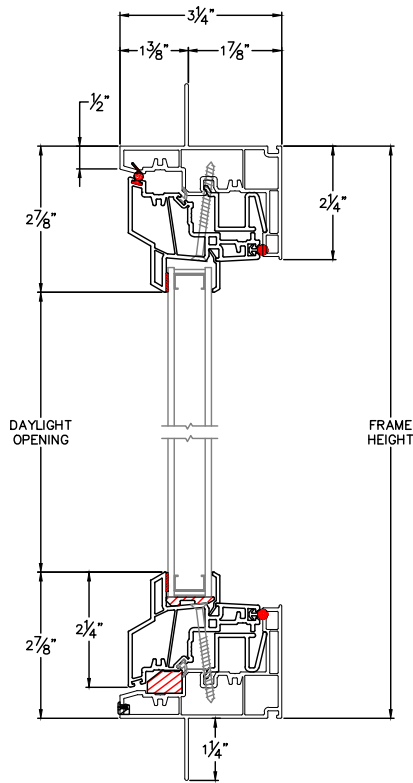
Fixed Casement Window

1-3/8" Fin Setback

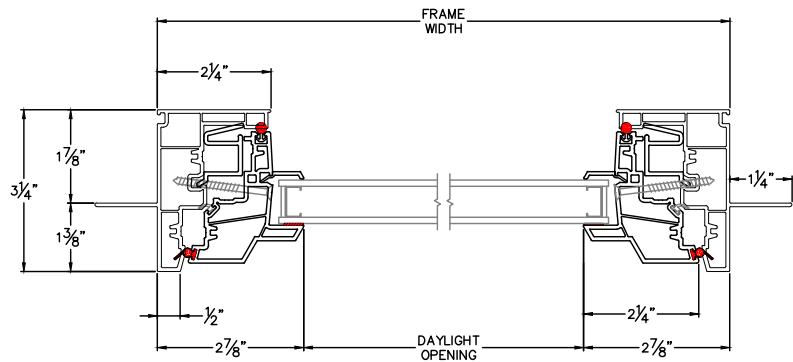
CAD File Scale	View	File Name	Units
NTS	Horizontal & Vertical	8521T-02 FC	Inch

More Technical Documents can be found at milgard.com/professionals
Due to continual research and development, details may be changed at any time. ©2013 Milgard Mfg.

CASEMENT SERIES 8521



HEAD & SILL



JAMBS

Revit, SketchUp, .PDF and .DWG files can be accessed at
milgard.com/professionals/technical-resources

[Go back to Quick Links](#)

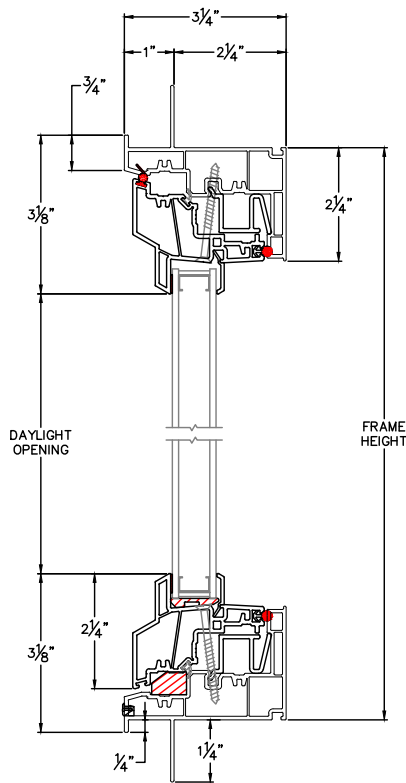
Fixed Casement Window

1" Fin Setback w/Stucco Key

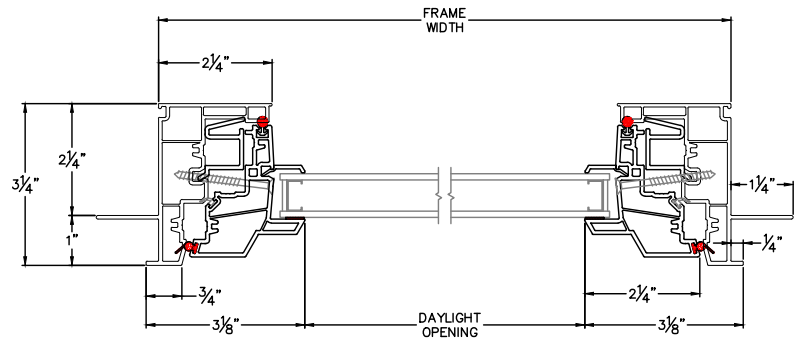
CAD File Scale	View	File Name	Units
NTS	Horizontal & Vertical	8531T-01 FC	Inch

More Technical Documents can be found at milgard.com/professionals
Due to continual research and development, details may be changed at any time. ©2013 Milgard Mfg.

CASEMENT SERIES 8531



HEAD & SILL



JAMBS

Revit, SketchUp, .PDF and .DWG files can be accessed at
milgard.com/professionals/technical-resources

[Go back to Quick Links](#)

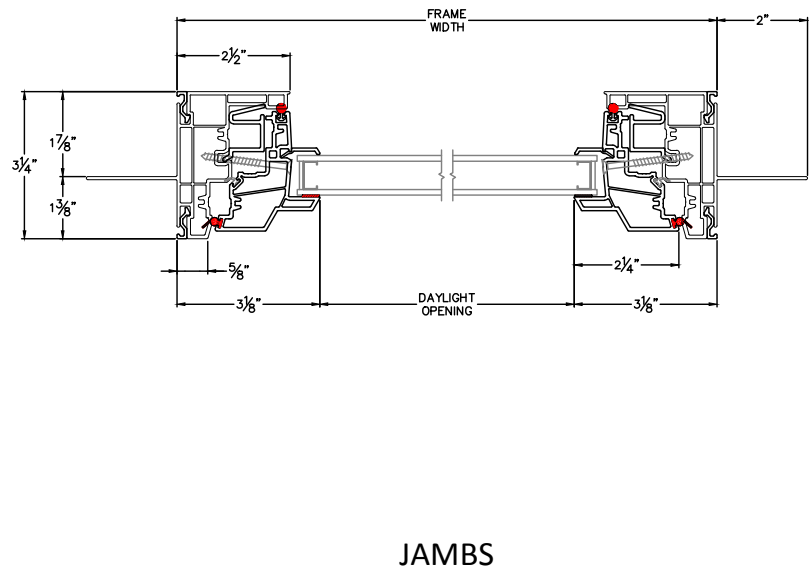
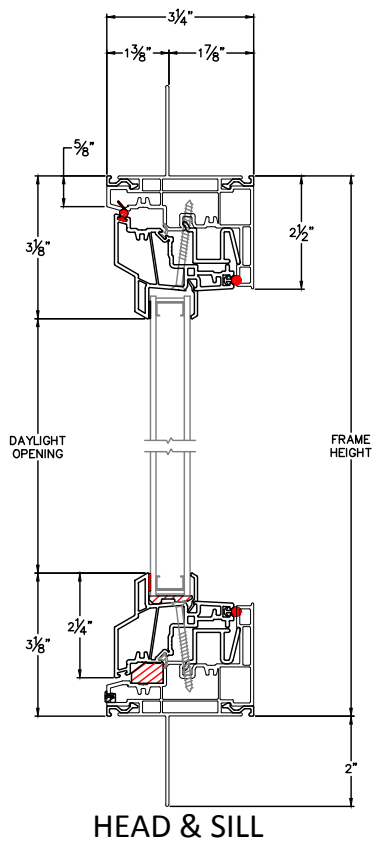
Fixed Casement Window

1-3/8" Fin Setback Accessory Groove Frame, 2" Nail Fin
(Tuscany only)

CAD File Scale	View	File Name	Units
NTS	Horizontal & Vertical	8541T-05 FC	Inch

More Technical Documents can be found at milgard.com/professionals
Due to continual research and development, details may be changed at any time. ©2013 Milgard Mfg.

CASEMENT SERIES 8541



Revit, SketchUp, .PDF and .DWG files can be accessed at
milgard.com/professionals/technical-resources

[Go back to Quick Links](#)

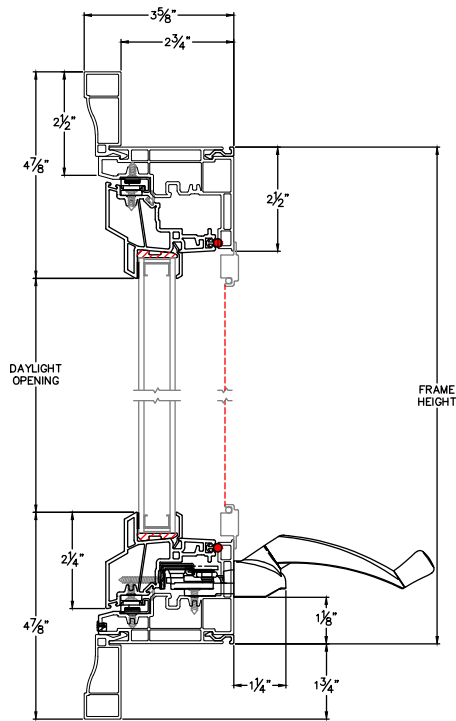
Fixed Casement Window

Welded Brickmold

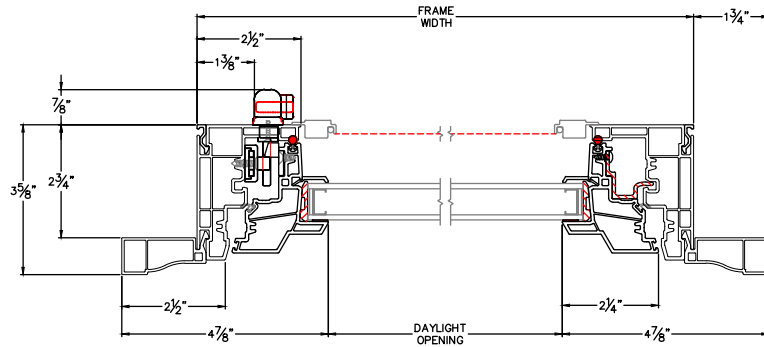
CAD File Scale	View	File Name	Units
NTS	Horizontal & Vertical	Montecito_8540_FC_welded_brickmold	Inch

More Technical Documents can be found at milgard.com/professionals
Due to continual research and development, details may be changed at any time. ©2013 Milgard Mfg.

CASEMENT SERIES 8540



HEAD & SILL



JAMBS

Revit, SketchUp, .PDF and .DWG files can be accessed at
milgard.com/professionals/technical-resources

[Go back to Quick Links](#)

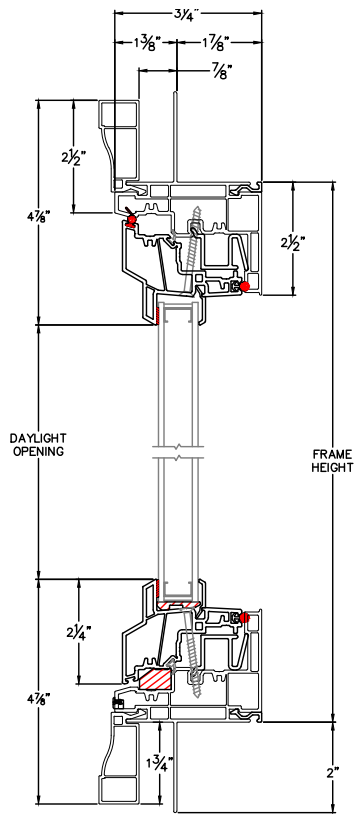
Fixed Casement Window

1-3/8" Fin Setback Accessory Groove Frame, 2" Brickmold

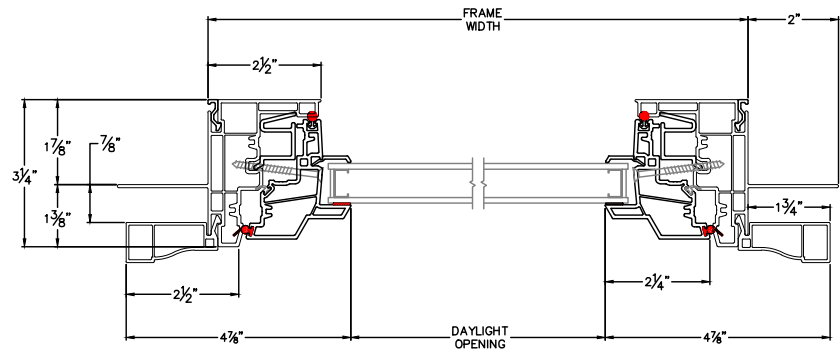
CAD File Scale	View	File Name	Units
NTS	Horizontal & Vertical	8541T-03 FC	Inch

More Technical Documents can be found at milgard.com/professionals
Due to continual research and development, details may be changed at any time. ©2013 Milgard Mfg.

CASEMENT SERIES 8541



HEAD & SILL



JAMBS

Revit, SketchUp, .PDF and .DWG files can be accessed at
milgard.com/professionals/technical-resources

[Go back to Quick Links](#)

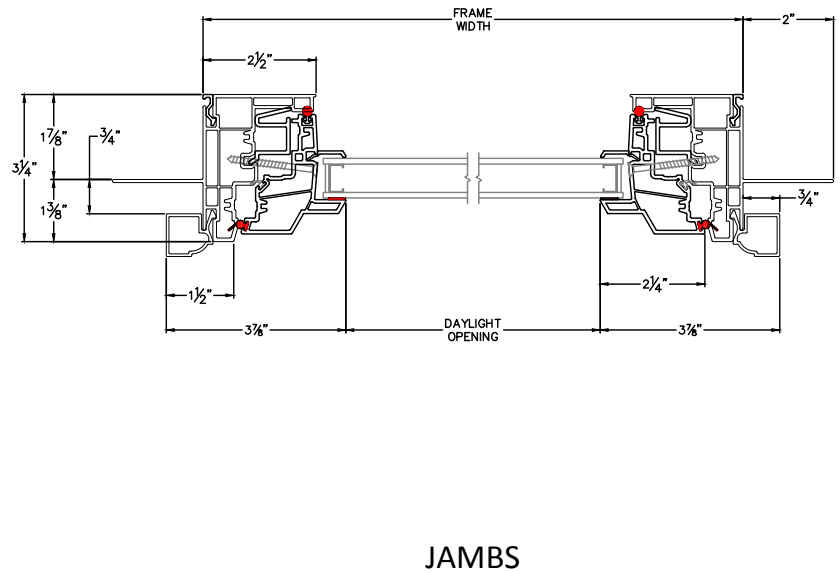
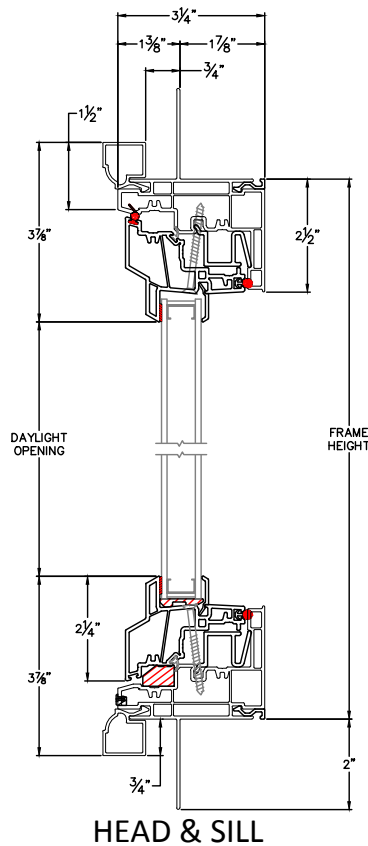
Fixed Casement Window

1-3/8" Fin Setback Accessory Groove Frame, 1" Contour J Channel

CAD File Scale	View	File Name	Units
NTS	Horizontal & Vertical	8541T-01 FC	Inch

More Technical Documents can be found at milgard.com/professionals
Due to continual research and development, details may be changed at any time. ©2013 Milgard Mfg.

CASEMENT SERIES 8541



Revit, SketchUp, .PDF and .DWG files can be accessed at
milgard.com/professionals/technical-resources

[Go back to Quick Links](#)

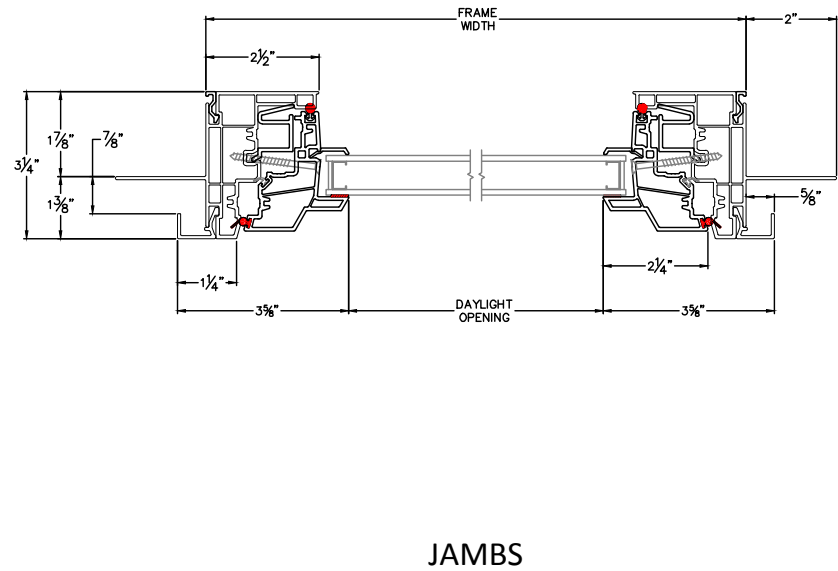
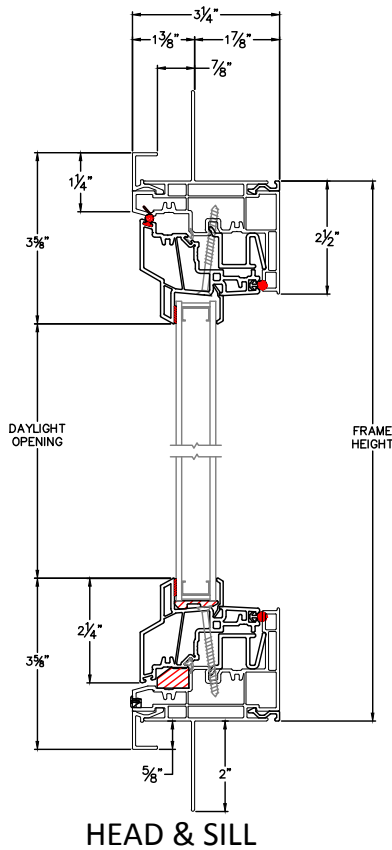
Fixed Casement Window

1-3/8" Fin Setback Accessory Groove Frame, 3/4" Flat J Channel

CAD File Scale	View	File Name	Units
NTS	Horizontal & Vertical	8541T-04 FC	Inch

More Technical Documents can be found at milgard.com/professionals
Due to continual research and development, details may be changed at any time. ©2013 Milgard Mfg.

CASEMENT SERIES 8541



Revit, SketchUp, .PDF and .DWG files can be accessed at
milgard.com/professionals/technical-resources

[Go back to Quick Links](#)

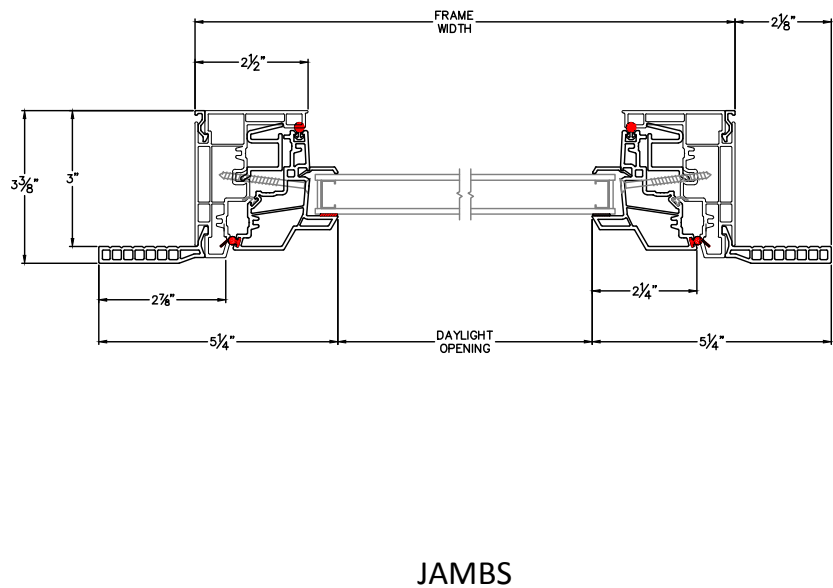
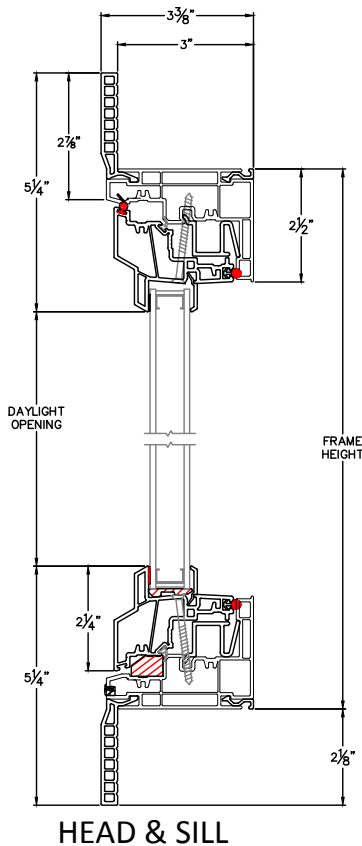
Fixed Casement Window

Accessory Groove Frame, 2-1/8" Contour Z-Bar
(Tuscany only)

CAD File Scale	View	File Name	Units
NTS	Horizontal & Vertical	8541T-02 FC	Inch

More Technical Documents can be found at milgard.com/professionals
Due to continual research and development, details may be changed at any time. ©2013 Milgard Mfg.

CASEMENT SERIES 8541



Revit, SketchUp, .PDF and .DWG files can be accessed at
milgard.com/professionals/technical-resources

[Go back to Quick Links](#)

Fixed Casement Window

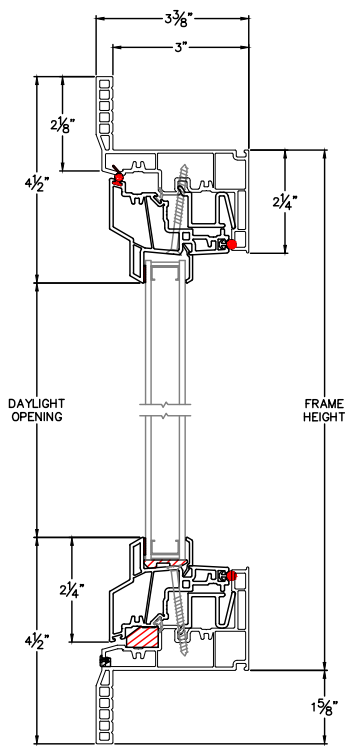
1-5/8" Contour Z-Bar

(Tuscany only)

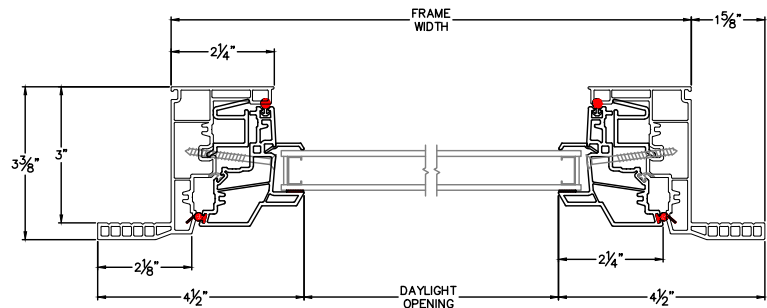
CAD File Scale	View	File Name	Units
NTS	Horizontal & Vertical	8571T-01 FC	Inch

More Technical Documents can be found at milgard.com/professionals
Due to continual research and development, details may be changed at any time. ©2013 Milgard Mfg.

CASEMENT SERIES 8571



HEAD & SILL



JAMBS

Revit, SketchUp, .PDF and .DWG files can be accessed at
milgard.com/professionals/technical-resources

[Go back to Quick Links](#)

Fixed Casement Window

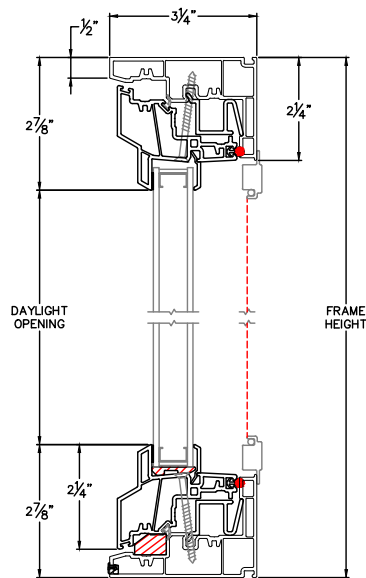
Block Frame

(Tuscany only)

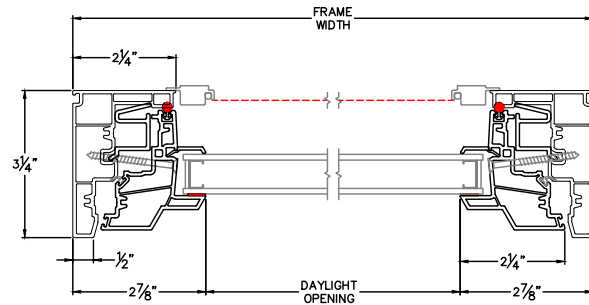
CAD File Scale	View	File Name	Units
NTS	Horizontal & Vertical	8521T-01 FC	Inch

More Technical Documents can be found at milgard.com/professionals
Due to continual research and development, details may be changed at any time. ©2013 Milgard Mfg.

CASEMENT SERIES 8521



HEAD & SILL



JAMBS

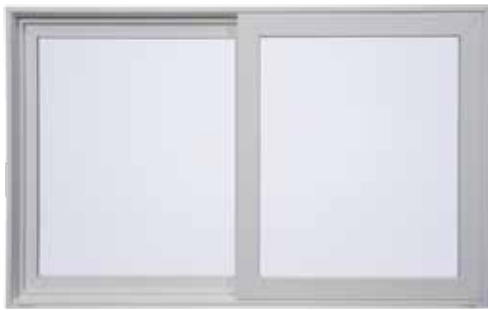
Revit, SketchUp, .PDF and .DWG files can be accessed at
milgard.com/professionals/technical-resources

[Go back to Quick Links](#)

Horizontal Sliding and Double Horizontal Sliding Window



The Tuscany® Series and Montecito® Series horizontal sliding window is designed as an inside slider (the sliding panel, or “vent,” slides inside the stationary panel). Horizontal sliding windows can be used alone or in combination units with radius, gable or picture windows for vent below and vent above configurations.



The Tuscany Series and Montecito Series vinyl horizontal sliding window offers the outstanding insulating properties, low maintenance, and contemporary aesthetic appeal only vinyl can provide. Available in white, tan, and clay (select regions), as well as premium painted exteriors. The windows will maintain their color and shape and can be constructed to your exact size specifications, subject to engineering review.

Please also see:

[Horizontal Sliding Hardware](#)

[Premium Exterior Vinyl Finishes](#)

[Full Lifetime Warranty](#)

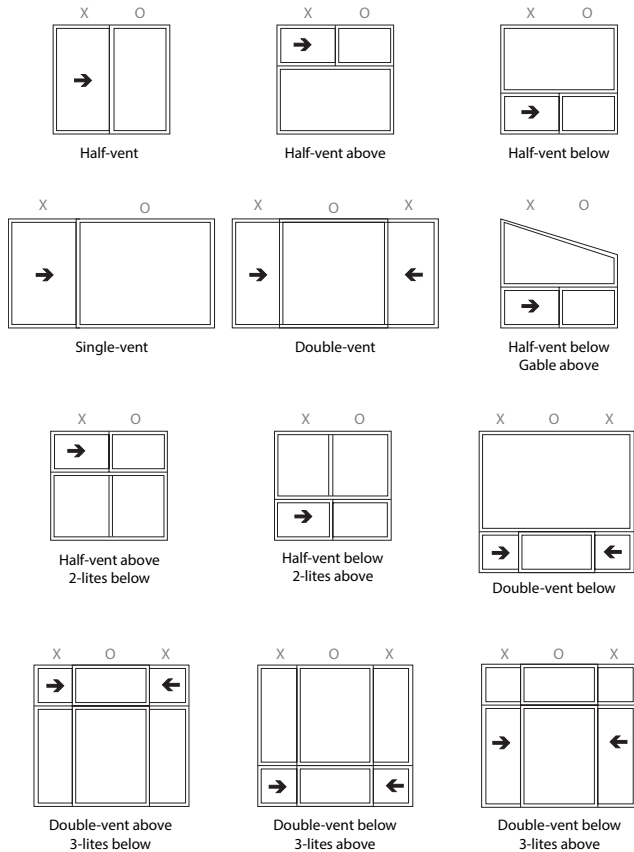
[Energy Packages](#)

[Accessories](#)



Horizontal Sliding Window

Hz Configurations



Hz Minimum/Maximum Sizes

HALF-VENT

- Min 2⁰1⁶ Max 6⁰6⁰

HALF-VENT ABOVE

- Min 2⁰3⁰ Max 6⁰6⁰

HALF-VENT BELOW

- Min 2⁰3⁰ Max 6⁰6⁰

DOUBLE-VENT

- Min 3⁰1⁶ Max 12⁰6⁰

DOUBLE-VENT BELOW

- Min 4⁰3⁰ Max 8⁰6⁰

DOUBLE-VENT ABOVE

- Min 4⁰3⁰ Max 8⁰6⁰

Minimum egress for half-vent is 4⁰4⁰

Minimum egress for double-vent is 8⁰4⁰ with a 24" vent.

Hz Available Frame Styles

NO NAIL-ON FIN:

8120T Block Frame

8170T 1-5/8" Narrow Z-Bar (Tuscany only)

8140T 2-1/8" Wide Z-Bar (Tuscany only)

INCLUDES NAIL-ON FIN:

8120T 1-3/8" Nail Fin Setback

8130T 1" Nail Fin Setback with Stucco Key

8140T 1-3/8" Nail Fin Setback, 2" Long Nail Fin

8140T 1-3/8" Nail Fin Setback, 2" Long Nail Fin with optional:

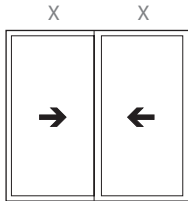
- 3/4" Flat J-channel
- 1" Contoured J-channel
- 2" Brickmold-style J-channel
- Welded Brickmold

NOTE: For engineering approval contact your Milgard representative for any configuration over 40 square feet. Each Milgard Manufacturing plant reserves the right to alter or change sizes and configurations according to location capabilities. Ask your Milgard rep about specialty applications. Windows over 40 square feet shipped open for field glazing. Varies by location.

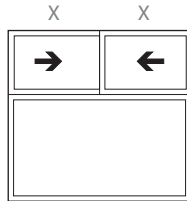
Not all frame styles available at all Milgard locations. Contact your Milgard Representative for more information.

Double Horizontal Sliding Window

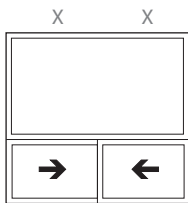
DHz Configurations



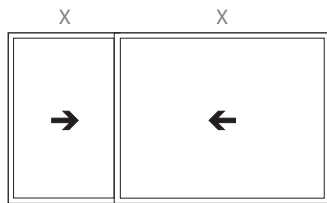
Double Slider



Double Slider above



Double Slider below



Unequal Vent

DHz Minimum/Maximum Sizes

DOUBLE SLIDER

- Min 2'0" Max 6'6"

DOUBLE SLIDER ABOVE/BELOW

- Min 2'3" Max 6'6"

Minimum egress for half-vent is 4'3"

DHz Available Frame Styles

NO NAIL-ON FIN:

8125T Block Frame

1-5/8" Narrow Z-Bar (Tuscany only)

2-1/8" Wide Z-Bar (Tuscany only)

INCLUDES NAIL-ON FIN:

8125T 1-3/8" Nail Fin Setback

1-3/8" Nail Fin Setback, 2" Long Nail Fin with optional:

- 3/4" Flat J-channel
- 1" Contoured J-channel
- 2" Brickmold-style J-channel
- Welded Brickmold

NOTE: For engineering approval contact your Milgard representative for any configuration over 40 square feet. Each Milgard Manufacturing plant reserves the right to alter or change sizes and configurations according to location capabilities. Ask your Milgard rep about specialty applications. Windows over 40 square feet shipped open for field glazing. Varies by location.

Not all frame styles available at all Milgard locations. Contact your Milgard Representative for more information.

Drawings - Quick Links

Horizontal Sliding Window

- 68—1-3/8" Fin Setback
- 69—1" Fin Setback w/Stucco Key
- 70—1-3/8" Fin Setback w/Stucco Key
- 71—1-3/8" Fin Setback Accessory Groove Frame, 2" Nail Fin
- 72—Welded Brickmold
- 73—1-3/8" Fin Setback Accessory Groove Frame, 2" Brickmold
- 74—1-3/8" Fin Setback Accessory Groove Frame, 1" Contour J Channel
- 75—1-3/8" Fin Setback Accessory Groove Frame, 3/4" Flat J Channel
- 76—Accessory Groove Frame, 2-1/8" Contour Z-Bar
- 77—1-5/8" Contour Z-Bar
- 78—Block Frame
- 79—Slider below picture window - Block Frame
- 80—Slider above 2 lites - Block Frame
- 81—Slider above picture window - Block Frame

Double Horizontal Sliding Window

- 82—1-3/8" Fin Setback
- 83—Welded Brickmold
- 84—1-3/8" Fin Setback Accessory Groove Frame, 2" Brickmold
- 85—1-3/8" Fin Setback Accessory Groove Frame, 1" Contour J Channel
- 86—1-3/8" Fin Setback Accessory Groove Frame, 3/4" Flat J Channel
- 87—Accessory Groove Frame, 2-1/8" Contour Z-Bar
- 88—1-5/8" Contour Z-Bar
- 89—Block Frame

Revit, SketchUp, .PDF and .DWG files can be accessed at
milgard.com/professionals/technical-resources

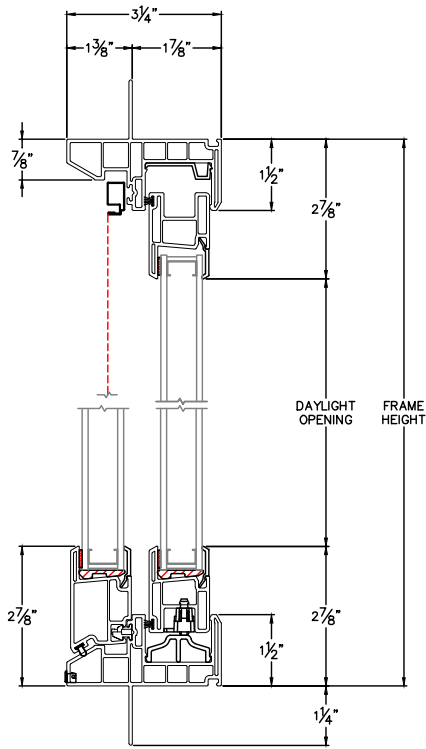
Horizontal Sliding Window

1-3/8" Fin Setback

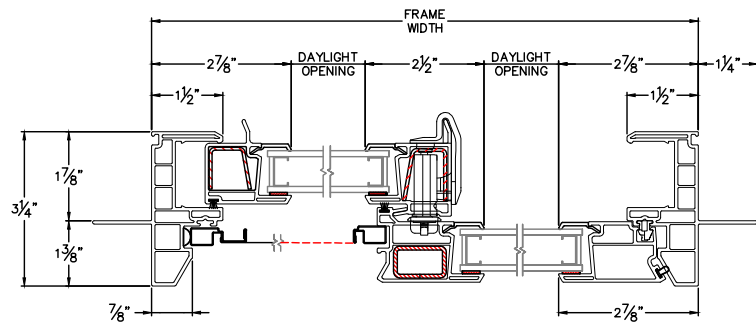
CAD File Scale	View	File Name	Units
NTS	Horizontal & Vertical	8120T-01 HS	Inch

More Technical Documents can be found at milgard.com/professionals
Due to continual research and development, details may be changed at any time. ©2013 Milgard Mfg.

HORIZONTAL SLIDER SERIES 8120



HEAD & SILL



JAMBS

Revit, SketchUp, .PDF and .DWG files can be accessed at milgard.com/professionals/technical-resources

[Go back to Quick Links](#)

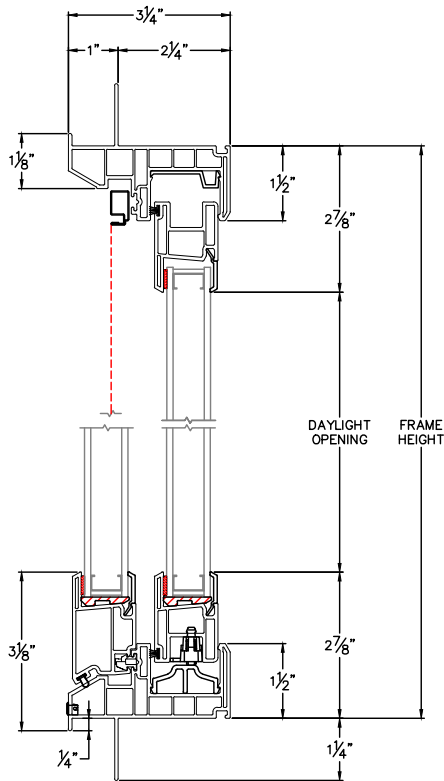
Horizontal Sliding Window

1" Fin Setback w/Stucco Key

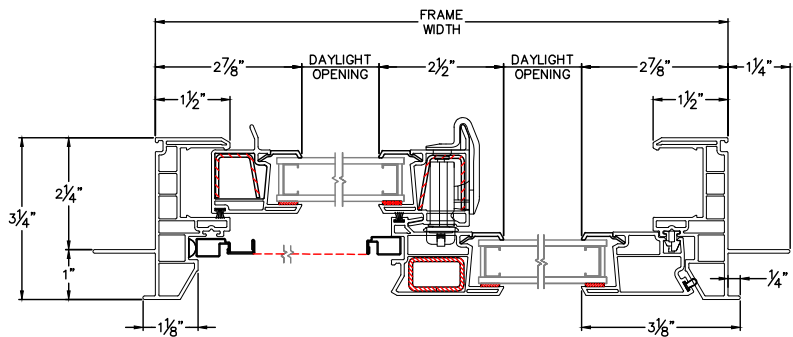
CAD File Scale	View	File Name	Units
NTS	Horizontal & Vertical	8130T-01 HS	Inch

More Technical Documents can be found at milgard.com/professionals
Due to continual research and development, details may be changed at any time. ©2013 Milgard Mfg.

HORIZONTAL SLIDER SERIES 8130



HEAD & SILL



JAMBS

Revit, SketchUp, .PDF and .DWG files can be accessed at
milgard.com/professionals/technical-resources

[Go back to Quick Links](#)

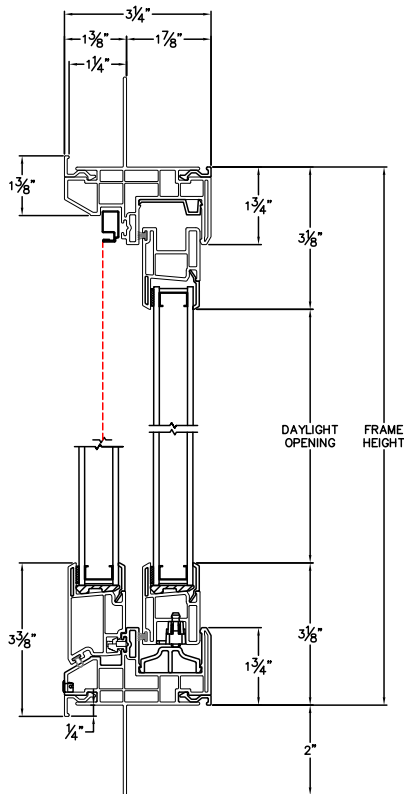
Horizontal Sliding Window

1-3/8" Fin Setback w/Stucco Key

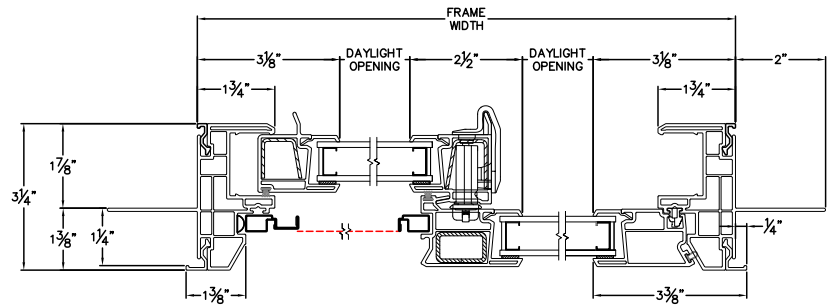
CAD File Scale	View	File Name	Units	Revision
NTS	Horizontal & Vertical	Tuscany_8140_HV_1.375in_stucco	Inch	6/2015

More Technical Documents can be found at milgard.com/professionals
Due to continual research and development, details may be changed at any time. ©2013 Milgard Mfg.

HORIZONTAL SLIDER SERIES 8140



HEAD & SILL



JAMBS

Revit, SketchUp, .PDF and .DWG files can be accessed at milgard.com/professionals/technical-resources

[Go back to Quick Links](#)

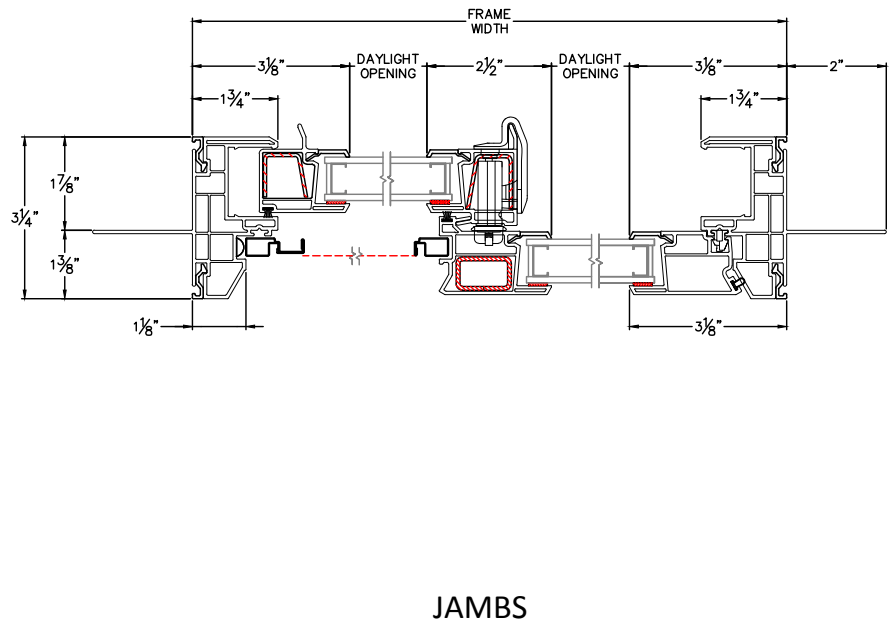
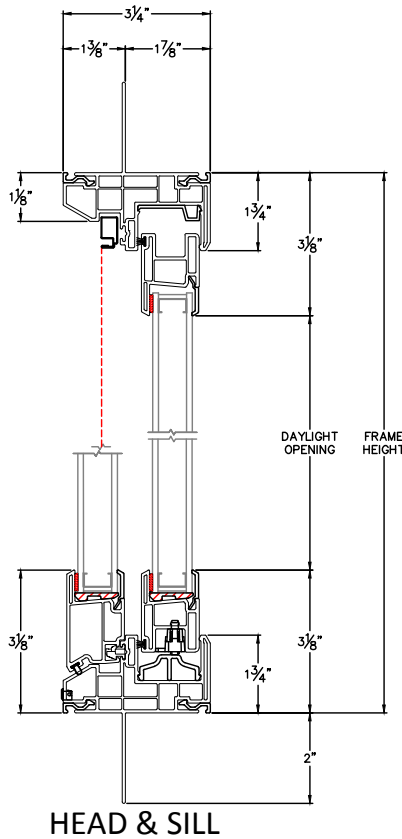
Horizontal Sliding Window

1-3/8" Fin Setback Accessory Groove Frame, 2" Nail Fin
(Tuscany only)

CAD File Scale	View	File Name	Units
NTS	Horizontal & Vertical	8140T-05 HS	Inch

More Technical Documents can be found at milgard.com/professionals
Due to continual research and development, details may be changed at any time. ©2013 Milgard Mfg.

HORIZONTAL SLIDER SERIES 8140



Revit, SketchUp, .PDF and .DWG files can be accessed at
milgard.com/professionals/technical-resources

[Go back to Quick Links](#)

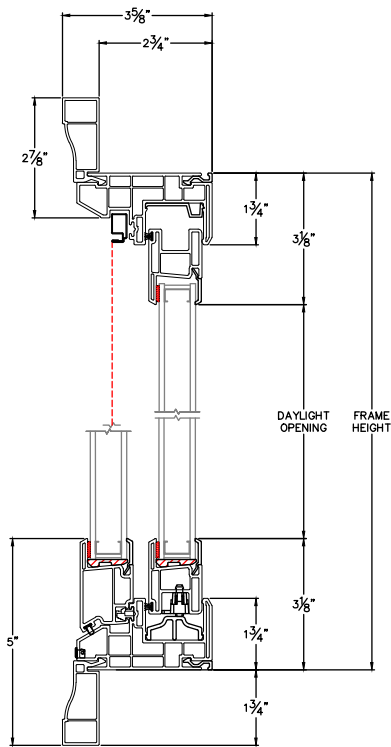
Horizontal Sliding Window

Welded Brickmold

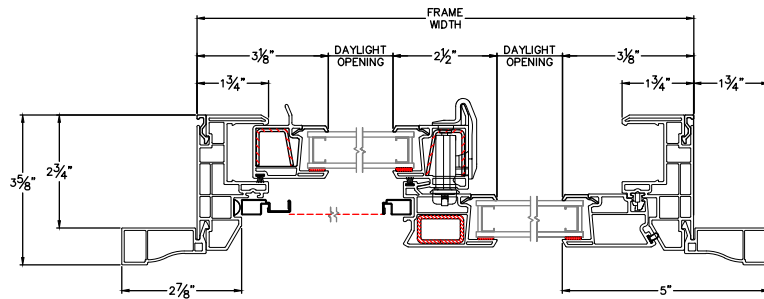
CAD File Scale	View	File Name	Units
NTS	Horizontal & Vertical	Montecito_8140_HS_welded_brickmold	Inch

More Technical Documents can be found at milgard.com/professionals
Due to continual research and development, details may be changed at any time. ©2013 Milgard Mfg.

HORIZONTAL SLIDER SERIES 8140



HEAD & SILL



JAMBS

Revit, SketchUp, .PDF and .DWG files can be accessed at
milgard.com/professionals/technical-resources

[Go back to Quick Links](#)

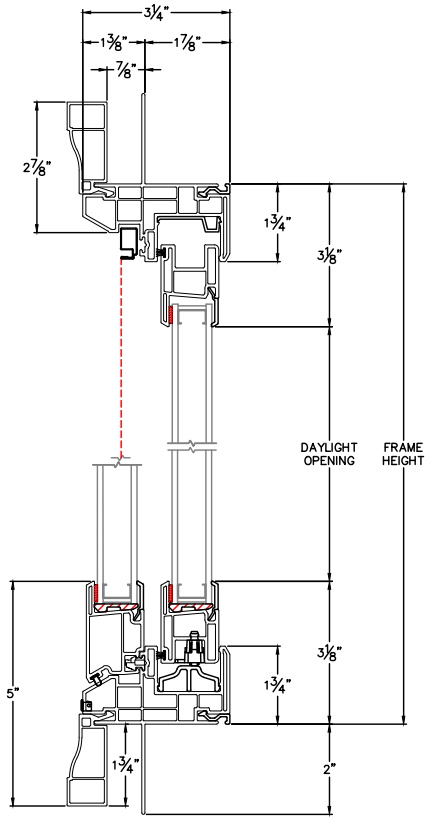
Horizontal Sliding Window

1-3/8" Fin Setback Accessory Groove Frame, 2" Brickmold

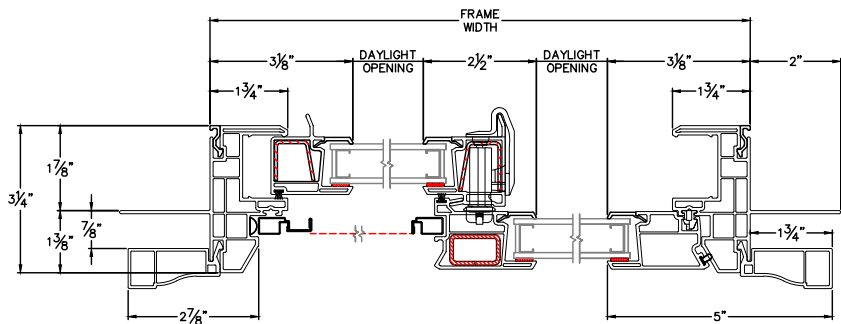
CAD File Scale	View	File Name	Units
NTS	Horizontal & Vertical	8140T-02 HS	Inch

More Technical Documents can be found at milgard.com/professionals
Due to continual research and development, details may be changed at any time. ©2013 Milgard Mfg.

HORIZONTAL SLIDER SERIES 8140



HEAD & SILL



JAMBS

Revit, SketchUp, .PDF and .DWG files can be accessed at
milgard.com/professionals/technical-resources

[Go back to Quick Links](#)

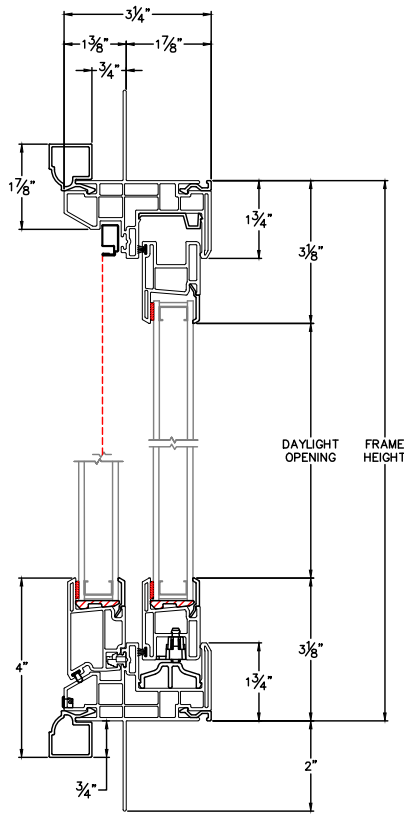
Horizontal Sliding Window

1-3/8" Fin Setback Accessory Groove Frame, 1" Contour J Channel

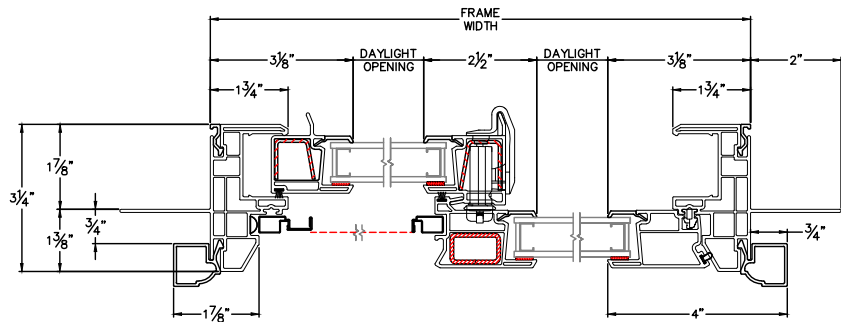
CAD File Scale	View	File Name	Units
NTS	Horizontal & Vertical	8140T-01 HS	Inch

More Technical Documents can be found at milgard.com/professionals
Due to continual research and development, details may be changed at any time. ©2013 Milgard Mfg.

HORIZONTAL SLIDER SERIES 8140



HEAD & SILL



JAMBS

Revit, SketchUp, .PDF and .DWG files can be accessed at milgard.com/professionals/technical-resources

[Go back to Quick Links](#)

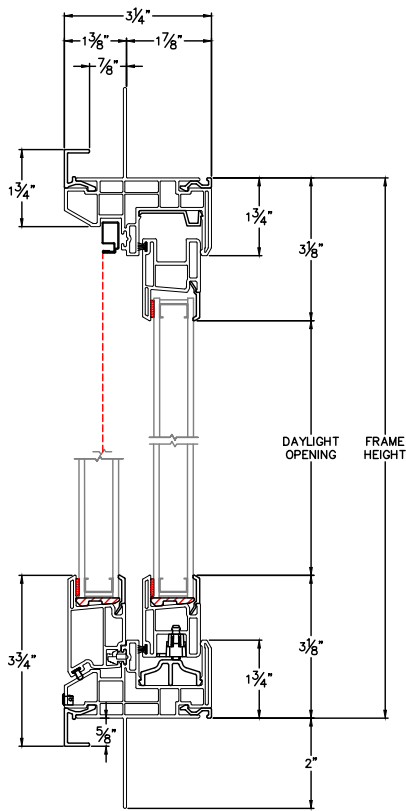
Horizontal Sliding Window

1-3/8" Fin Setback Accessory Groove Frame, 3/4" Flat J Channel

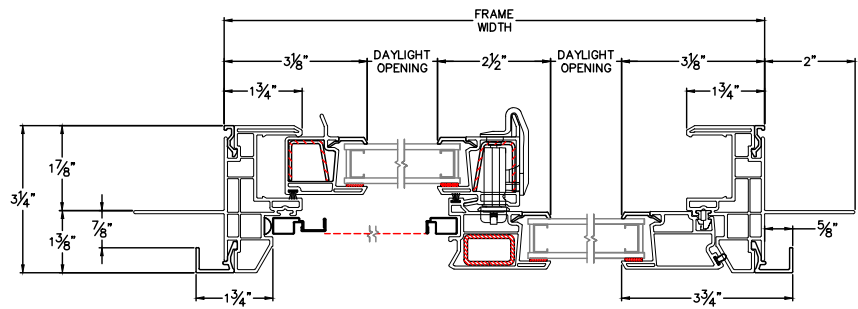
CAD File Scale	View	File Name	Units
NTS	Horizontal & Vertical	8140T-03 HS	Inch

More Technical Documents can be found at milgard.com/professionals
Due to continual research and development, details may be changed at any time. ©2013 Milgard Mfg.

HORIZONTAL SLIDER SERIES 8140



HEAD & SILL



JAMBS

Revit, SketchUp, .PDF and .DWG files can be accessed at milgard.com/professionals/technical-resources

[Go back to Quick Links](#)

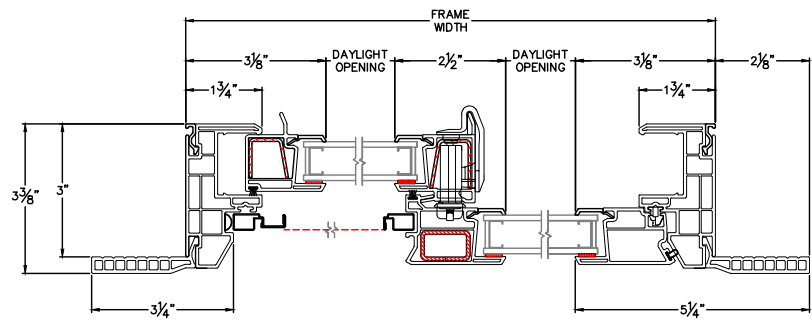
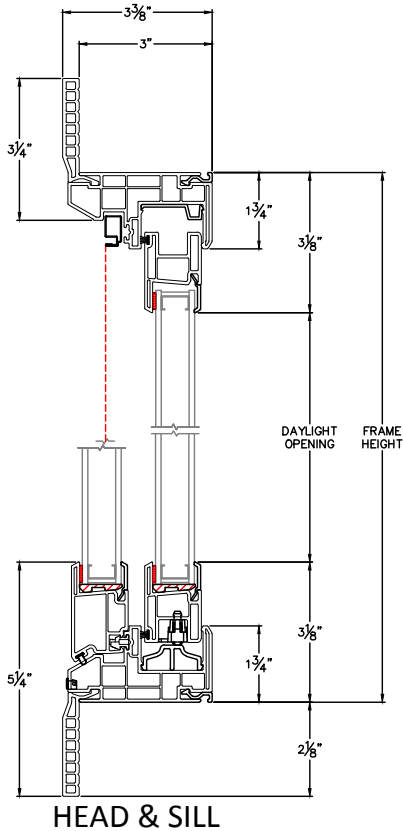
Horizontal Sliding Window

Accessory Groove Frame, 2-1/8" Contour Z-Bar
(Tuscany only)

CAD File Scale	View	File Name	Units
NTS	Horizontal & Vertical	8140T-04 HS	Inch

More Technical Documents can be found at milgard.com/professionals
Due to continual research and development, details may be changed at any time. ©2013 Milgard Mfg.

HORIZONTAL SLIDER SERIES 8140



Revit, SketchUp, .PDF and .DWG files can be accessed at
milgard.com/professionals/technical-resources

[Go back to Quick Links](#)

Horizontal Sliding Window

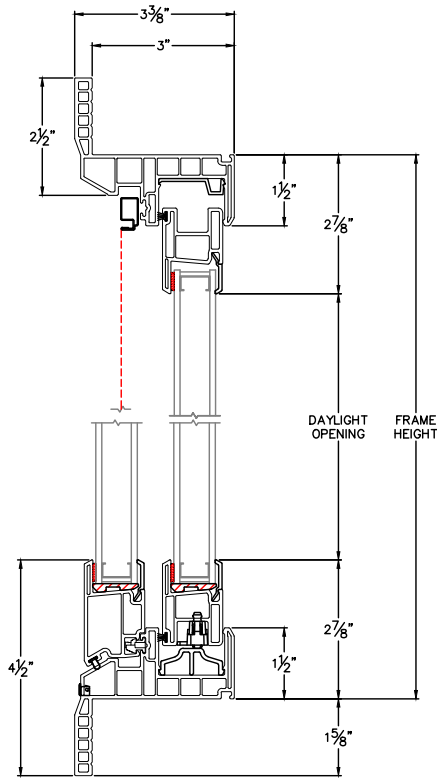
1-5/8" Contour Z-Bar

(Tuscany only)

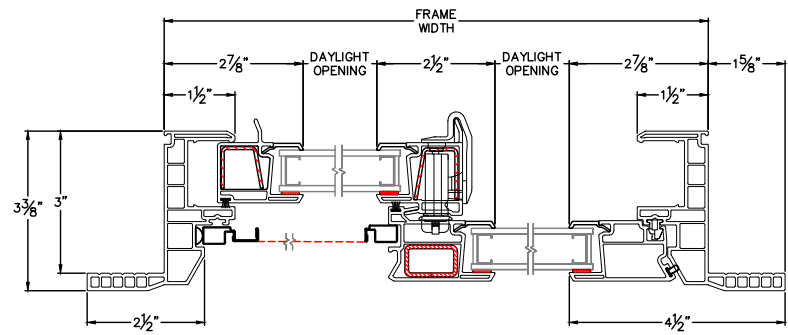
CAD File Scale	View	File Name	Units
NTS	Horizontal & Vertical	8170T-01 HS	Inch

More Technical Documents can be found at milgard.com/professionals
Due to continual research and development, details may be changed at any time. ©2013 Milgard Mfg.

HORIZONTAL SLIDER SERIES 8170



HEAD & SILL



JAMBS

Revit, SketchUp, .PDF and .DWG files can be accessed at
milgard.com/professionals/technical-resources

[Go back to Quick Links](#)

Horizontal Sliding Window

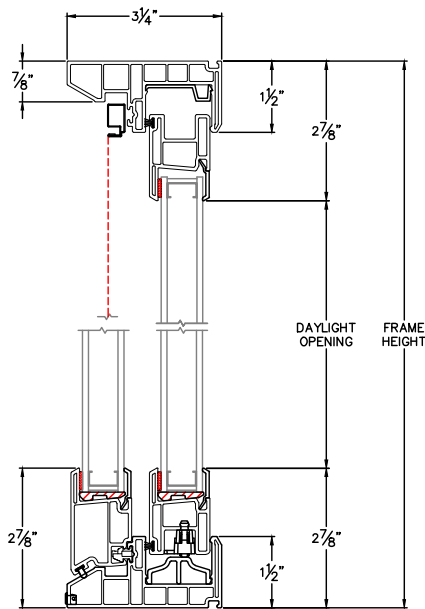
Block Frame

(Tuscany only)

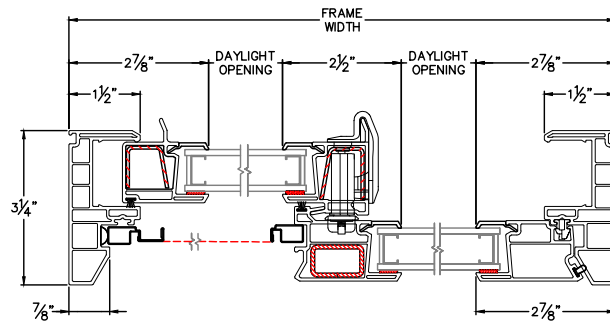
CAD File Scale	View	File Name	Units
NTS	Horizontal & Vertical	8120T-02 HS	Inch

More Technical Documents can be found at milgard.com/professionals
Due to continual research and development, details may be changed at any time. ©2013 Milgard Mfg.

HORIZONTAL SLIDER SERIES 8120



HEAD & SILL



JAMBS

Revit, SketchUp, .PDF and .DWG files can be accessed at
milgard.com/professionals/technical-resources

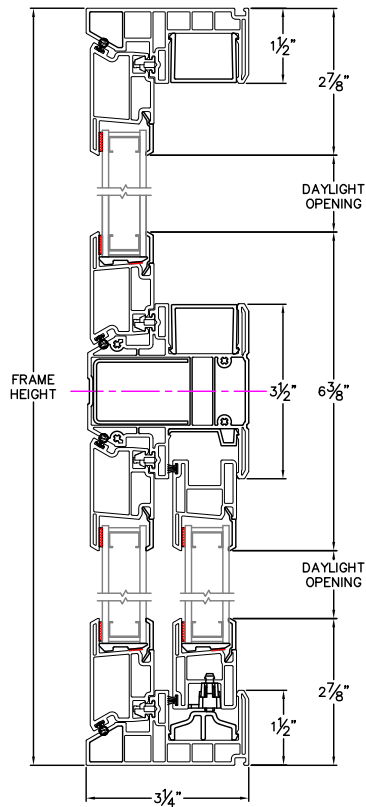
[Go back to Quick Links](#)

Horizontal Sliding Window

Slider below picture window - Block Frame

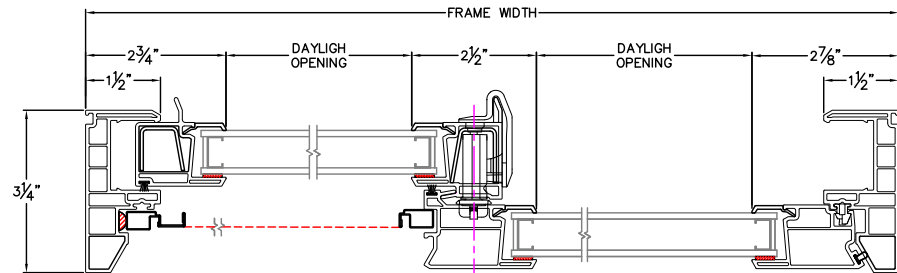
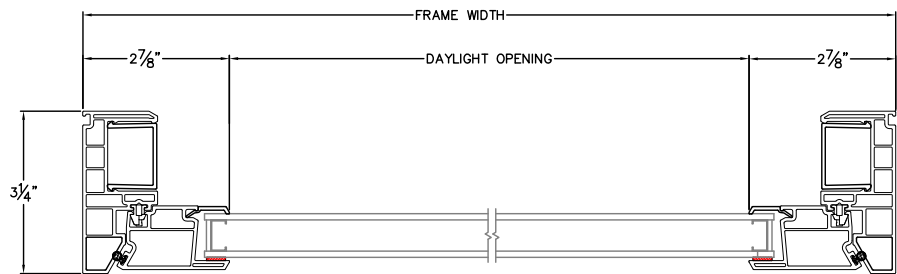
CAD File Scale	View	File Name	Units
NTS	Horizontal & Vertical	8120T HVA	Inch

More Technical Documents can be found at milgard.com/professionals
Due to continual research and development, details may be changed at any time. ©2013 Milgard Mfg.



HEAD & SILL

HALF VENT BELOW SERIES 8120



JAMBS

Revit, SketchUp, .PDF and .DWG files can be accessed at
milgard.com/professionals/technical-resources

[Go back to Quick Links](#)

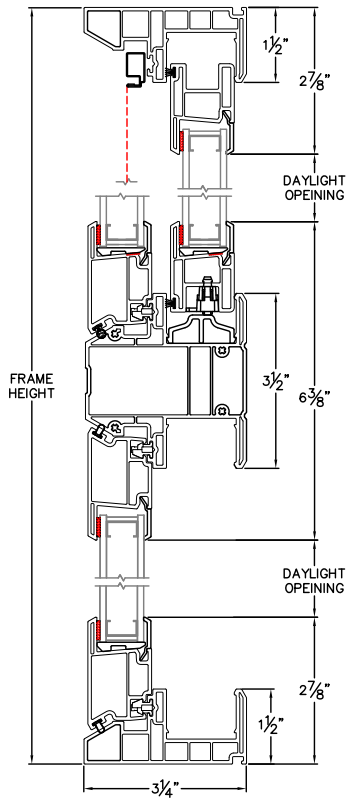
Horizontal Sliding Window

Slider above 2 lites - Block Frame

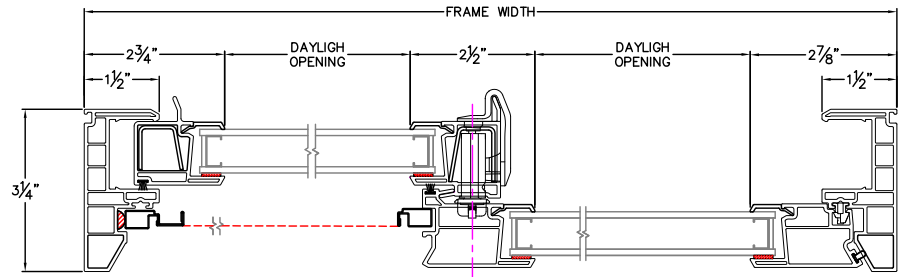
CAD File Scale	View	File Name	Units
NTS	Horizontal & Vertical	8120T HVA	Inch

More Technical Documents can be found at milgard.com/professionals
Due to continual research and development, details may be changed at any time. ©2013 Milgard Mfg.

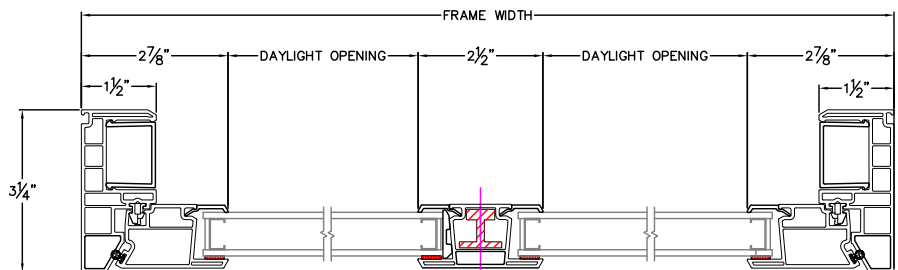
HALF VENT ABOVE 2 LITES SERIES 8120



HEAD & SILL



JAMBS



Revit, SketchUp, .PDF and .DWG files can be accessed at
milgard.com/professionals/technical-resources

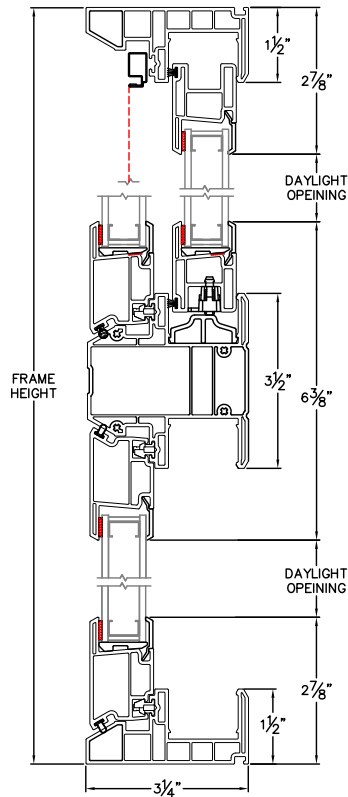
[Go back to Quick Links](#)

Horizontal Sliding Window

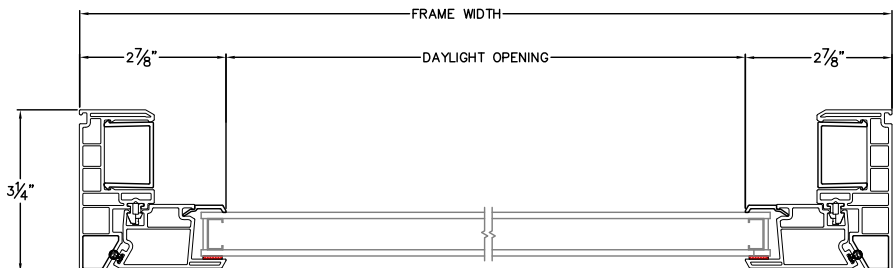
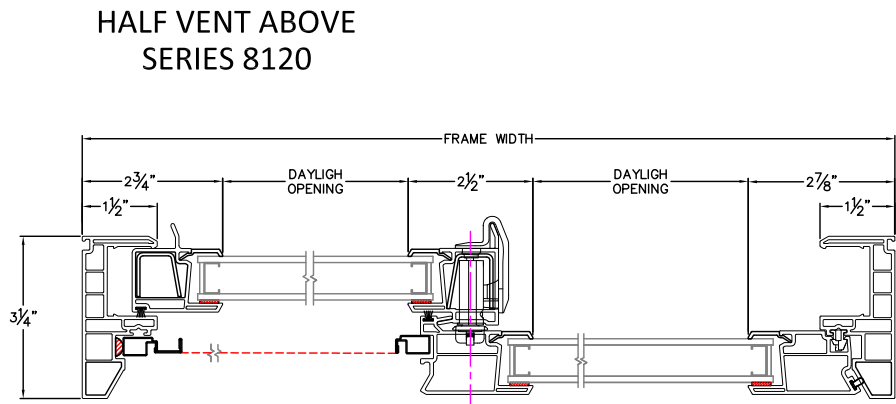
Slider above picture window - Block Frame

CAD File Scale	View	File Name	Units
NTS	Horizontal & Vertical	8120T HVA	Inch

More Technical Documents can be found at milgard.com/professionals
Due to continual research and development, details may be changed at any time. ©2013 Milgard Mfg.



HEAD & SILL



JAMBS

Revit, SketchUp, .PDF and .DWG files can be accessed at milgard.com/professionals/technical-resources

[Go back to Quick Links](#)

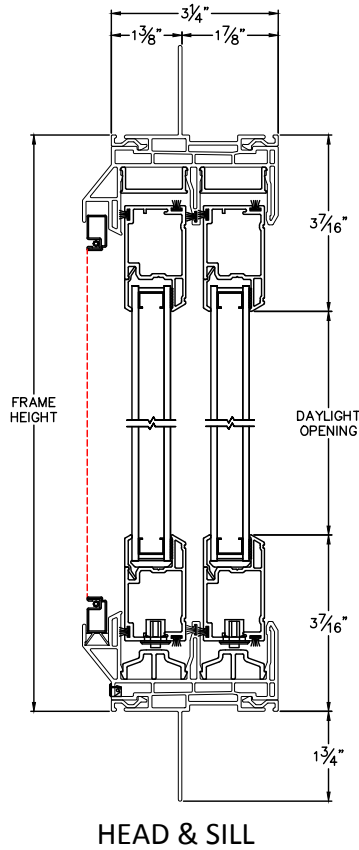
Double Horizontal Sliding Window

1-3/8" Fin Setback

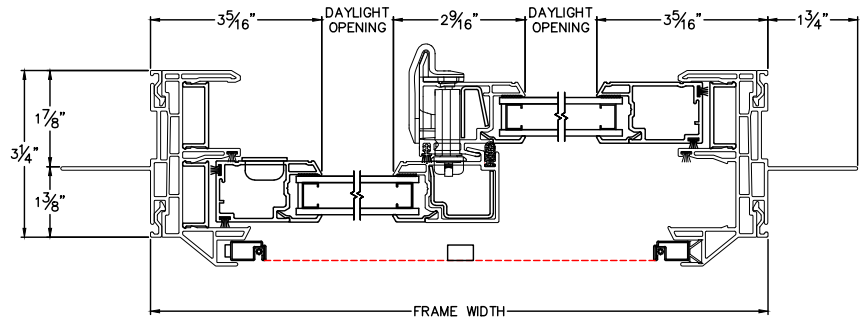
CAD File Scale	View	File Name	Units
NTS	Horizontal & Vertical	Tuscany_8125_DS_1.375_setback	Inch

More Technical Documents can be found at milgard.com/professionals
Due to continual research and development, details may be changed at any time. ©2013 Milgard Mfg.

DOUBLE SLIDER SERIES 8125



HEAD & SILL



JAMBS

Revit, SketchUp, .PDF and .DWG files can be accessed at milgard.com/professionals/technical-resources

[Go back to Quick Links](#)

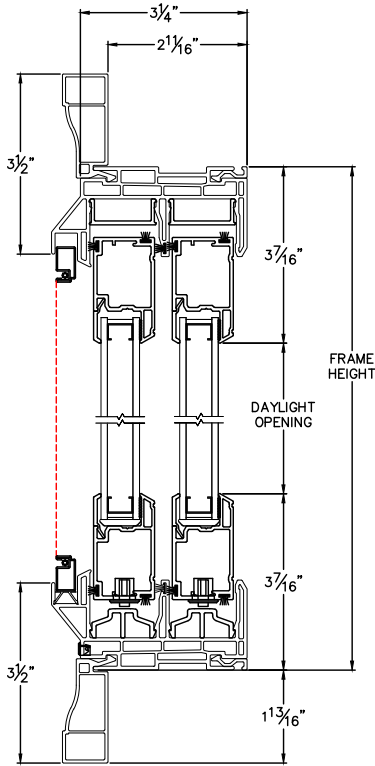
Double Horizontal Sliding Window

Welded Brickmold

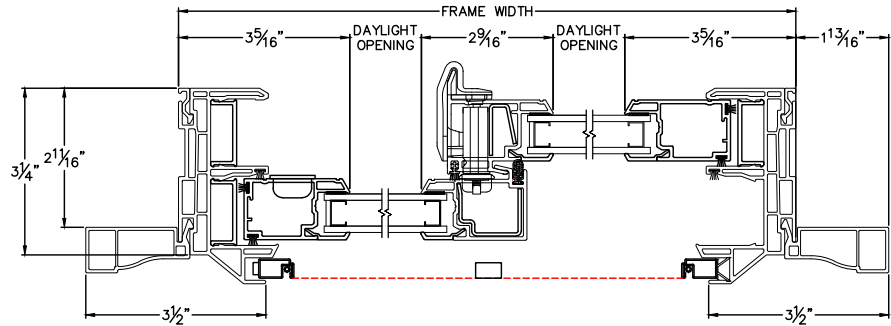
CAD File Scale	View	File Name	Units
NTS	Horizontal & Vertical	Tuscany_8125_DS_welded_brickmold	Inch

More Technical Documents can be found at milgard.com/professionals
Due to continual research and development, details may be changed at any time. ©2013 Milgard Mfg.

DOUBLE SLIDER SERIES 8125



HEAD & SILL



JAMBS

Revit, SketchUp, .PDF and .DWG files can be accessed at milgard.com/professionals/technical-resources

[Go back to Quick Links](#)

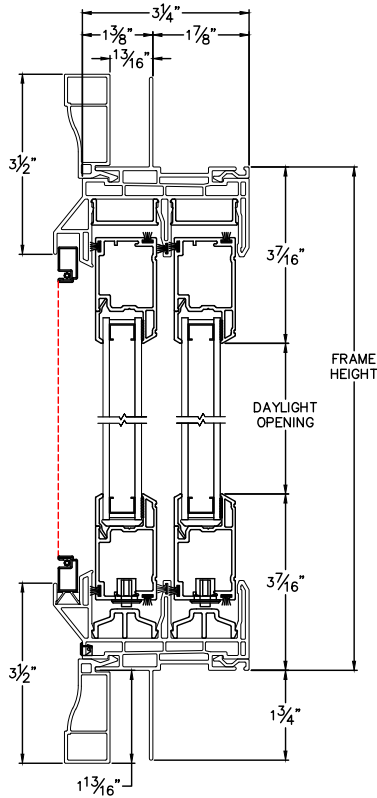
Double Horizontal Sliding Window

1-3/8" Fin Setback Accessory Groove Frame, 2" Brickmold

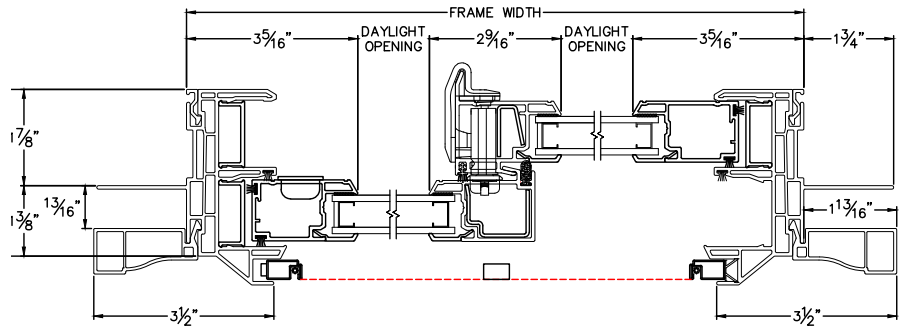
CAD File Scale	View	File Name	Units
NTS	Horizontal & Vertical	Tuscany_8125_DS_1.375_setback_2in_brickmold	Inch

More Technical Documents can be found at milgard.com/professionals
Due to continual research and development, details may be changed at any time. ©2013 Milgard Mfg.

DOUBLE SLIDER SERIES 8125



HEAD & SILL



JAMBS

Revit, SketchUp, .PDF and .DWG files can be accessed at milgard.com/professionals/technical-resources

[Go back to Quick Links](#)

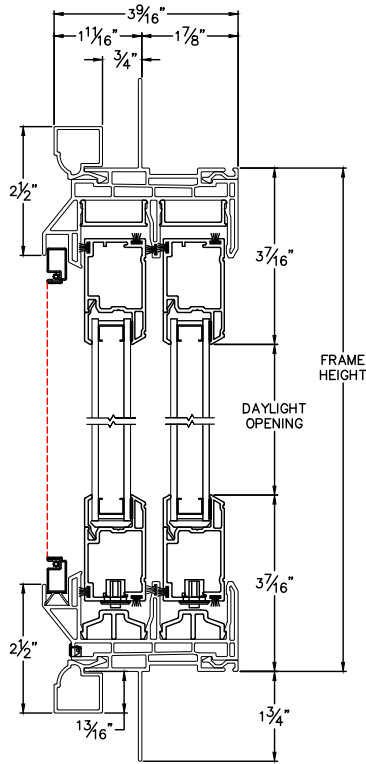
Double Horizontal Sliding Window

1-3/8" Fin Setback Accessory Groove Frame, 1" Contour J Channel

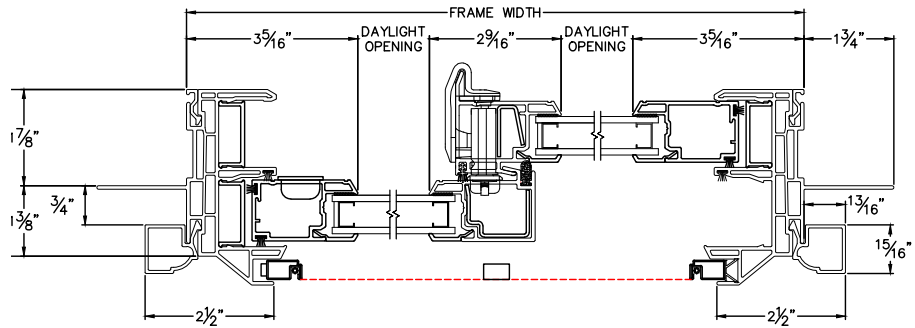
CAD File Scale	View	File Name	Units
NTS	Horizontal & Vertical	Tuscany_8125_DS_1.375_setback_1in_jchannel	Inch

More Technical Documents can be found at milgard.com/professionals
Due to continual research and development, details may be changed at any time. ©2013 Milgard Mfg.

DOUBLE SLIDER SERIES 8125



HEAD & SILL



JAMBS

Revit, SketchUp, .PDF and .DWG files can be accessed at
milgard.com/professionals/technical-resources

[Go back to Quick Links](#)

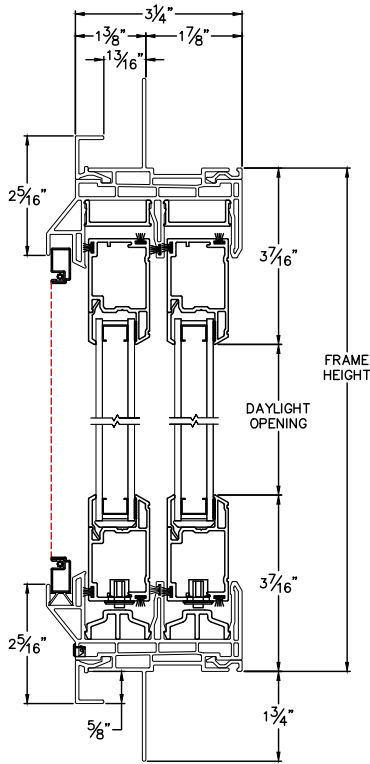
Double Horizontal Sliding Window

1-3/8" Fin Setback Accessory Groove Frame, 3/4" Flat J Channel

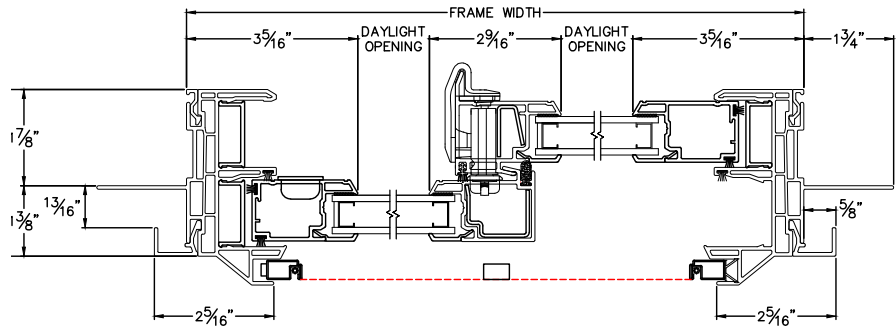
CAD File Scale	View	File Name	Units
NTS	Horizontal & Vertical	Tuscany_8125_DS_1.375_setback_.75in_jchannel	Inch

More Technical Documents can be found at milgard.com/professionals
Due to continual research and development, details may be changed at any time. ©2013 Milgard Mfg.

DOUBLE SLIDER SERIES 8125



HEAD & SILL



JAMBS

Revit, SketchUp, .PDF and .DWG files can be accessed at milgard.com/professionals/technical-resources

[Go back to Quick Links](#)

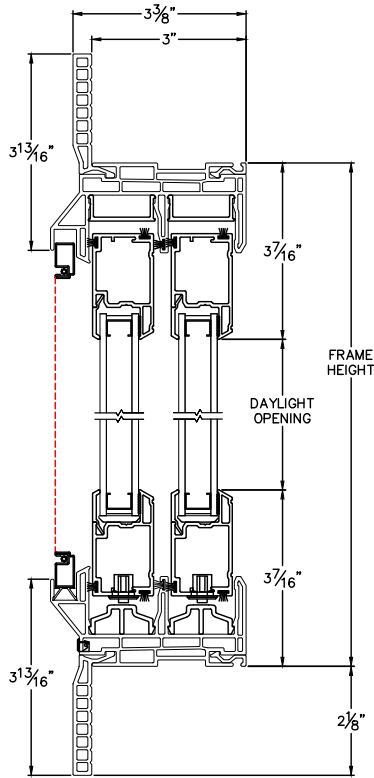
Double Horizontal Sliding Window

Accessory Groove Frame, 2-1/8" Contour Z-Bar
(Tuscany only)

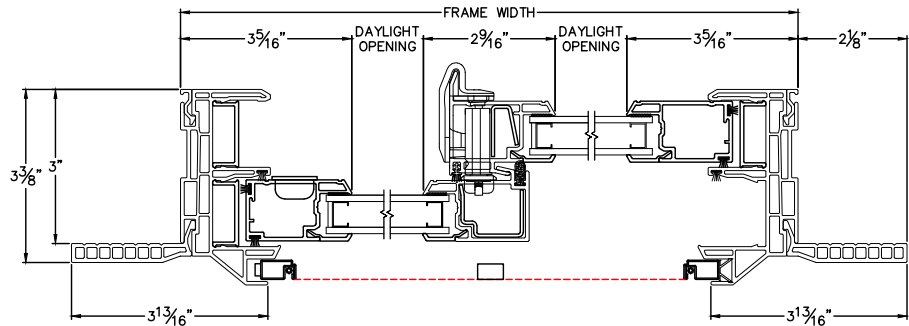
CAD File Scale	View	File Name	Units
NTS	Horizontal & Vertical	Tuscany_8125_DS_2.125in_zbar	Inch

More Technical Documents can be found at milgard.com/professionals
Due to continual research and development, details may be changed at any time. ©2013 Milgard Mfg.

DOUBLE SLIDER SERIES 8125



HEAD & SILL



JAMBS

Revit, SketchUp, .PDF and .DWG files can be accessed at
milgard.com/professionals/technical-resources

[Go back to Quick Links](#)

Double Horizontal Sliding Window

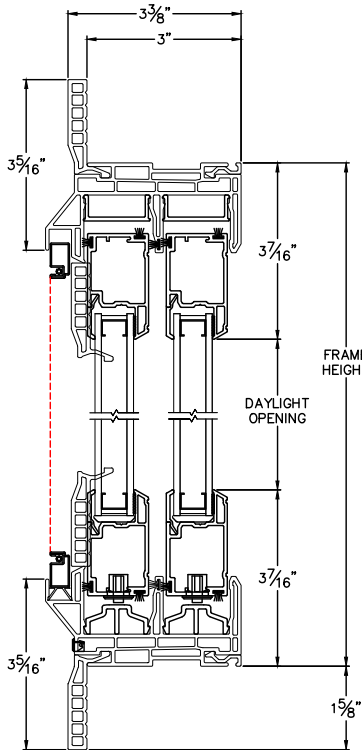
1-5/8" Contour Z-Bar

(Tuscany only)

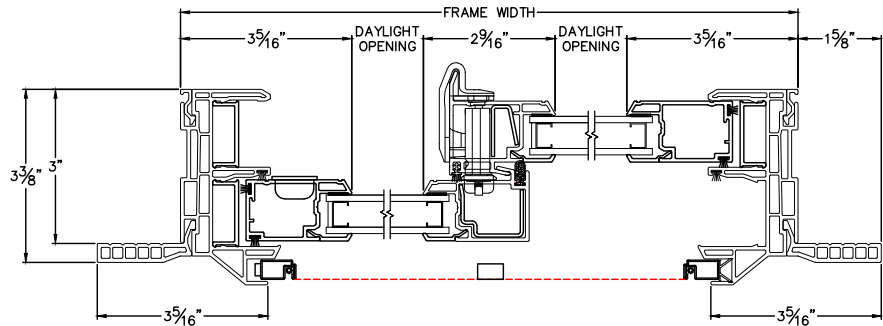
CAD File Scale	View	File Name	Units
NTS	Horizontal & Vertical	Tuscany_8125_DS_1.625in_zbar	Inch

More Technical Documents can be found at milgard.com/professionals
Due to continual research and development, details may be changed at any time. ©2013 Milgard Mfg.

DOUBLE SLIDER SERIES 8125



HEAD & SILL



JAMBS

Revit, SketchUp, .PDF and .DWG files can be accessed at
milgard.com/professionals/technical-resources

[Go back to Quick Links](#)

Double Horizontal Sliding Window

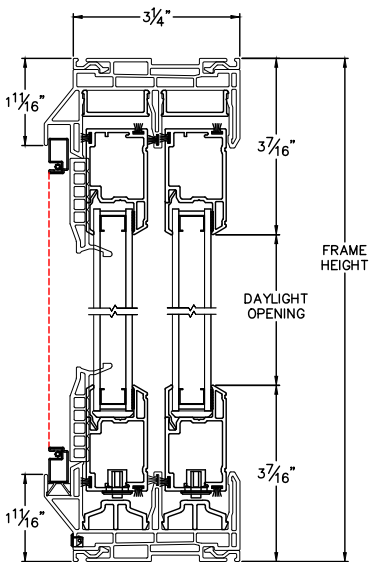
Block Frame

(Tuscany only)

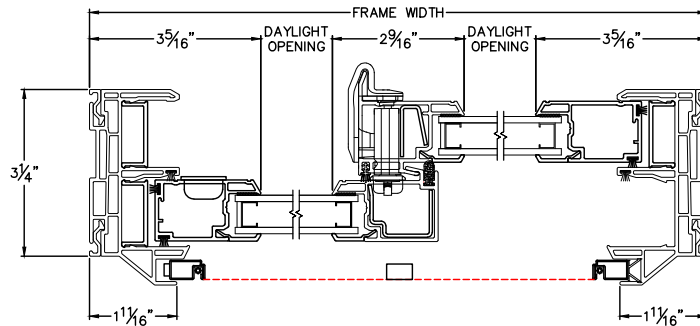
CAD File Scale	View	File Name	Units
NTS	Horizontal & Vertical	Tuscany_8125_DS_block	Inch

More Technical Documents can be found at milgard.com/professionals
Due to continual research and development, details may be changed at any time. ©2013 Milgard Mfg.

DOUBLE SLIDER SERIES 8125



HEAD & SILL



JAMBS

Revit, SketchUp, .PDF and .DWG files can be accessed at
milgard.com/professionals/technical-resources

[Go back to Quick Links](#)

Picture and Radius Window



Tuscany® Series and Montecito® Series picture windows can be used alone or in combination units with operable windows for vent below and vent above configurations. They can be ordered as individual windows or combined with picture windows for additional architectural appeal.

The Tuscany Series and Montecito Series vinyl picture and radius window offers the outstanding insulating properties, low maintenance, and contemporary aesthetic appeal only vinyl can provide. Available in white, tan, and clay (select regions), as well as premium painted exteriors. The windows will maintain their color and shape and can be constructed to your exact size specifications, subject to engineering review.

Please also see:

[Premium Exterior Vinyl Finishes](#)

[Full Lifetime Warranty](#)

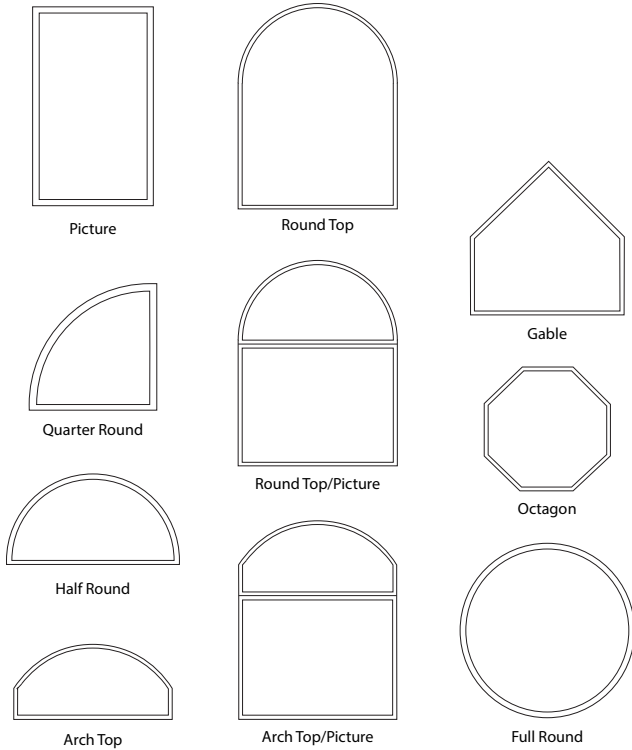
[Energy Packages](#)

[Accessories](#)



Picture and Radius Window

Configurations



Minimum/Maximum Sizes

PICTURE WINDOW

- Min 1⁶6⁶ Max 8⁰6⁰

OCTAGON

- Min 2⁰2⁰ Max 6⁰6⁰

HALF ROUNDS

- Min 2⁶1³ Max 8⁴4⁰

QUARTER ROUNDS

- Min 1³1³ Max 5⁰5⁰

FULL ROUND

- Min 2⁶2⁶ Max 5⁰5⁰

ARCH TOPS

- 48 square feet maximum
- Min 2⁶2⁶ Max 8⁰6⁰

Must specify leg height and center height
(minimum 6" leg height)

Available Frame Styles

NO NAIL-ON FIN

(Tuscany horizontal sliding window frame):

8320T Block Frame

8370T 1-5/8" Narrow Z-Bar (Tuscany only)

8340T 2-1/8" Wide Z-Bar (Tuscany only)

INCLUDES NAIL-ON FIN:

8320T 1-3/8" Nail Fin Setback

8330T 1" Nail Fin Setback with Stucco Key

8340T 1-3/8" Nail Fin Setback, 2" Long Nail Fin

8340T 1-3/8" Nail Fin Setback, 2" Long Nail Fin with optional:

- 3/4" Flat J-channel
- 1" Contoured J-channel
- 2" Brickmold-style J-channel
- Welded Brickmold

NOTE: For engineering approval contact your Milgard representative for any configuration over 40 square feet. Each Milgard Manufacturing plant reserves the right to alter or change sizes and configurations according to location capabilities. Ask your Milgard rep about specialty applications. Windows over 40 square feet shipped open for field glazing. Varies by location.

Not all frame styles available at all Milgard locations. Contact your Milgard Representative for more information.

Drawings - Quick Links

Picture/Radius Window

- 93—1-3/8" Fin Setback
- 94—1" Fin Setback w/Stucco Key
- 95—1-3/8" Fin Setback w/Stucco Key
- 96—1-3/8" Fin Setback Accessory Groove Frame, 2"
Nail Fin
- 97—Welded Brickmold
- 98—1-3/8" Fin Setback Accessory Groove Frame, 2"
Brickmold
- 99—1-3/8" Fin Setback Accessory Groove Frame, 1"
Contour J Channel
- 100—1-3/8" Fin Setback Accessory Groove Frame,
3/4" Flat J Channel
- 101—Accessory Groove Frame, 2-1/8" Contour Z-bar
- 102—1-5/8" Contour Z Bar
- 103—Block Frame

Revit, SketchUp, .PDF and .DWG files can be accessed at
milgard.com/professionals/technical-resources

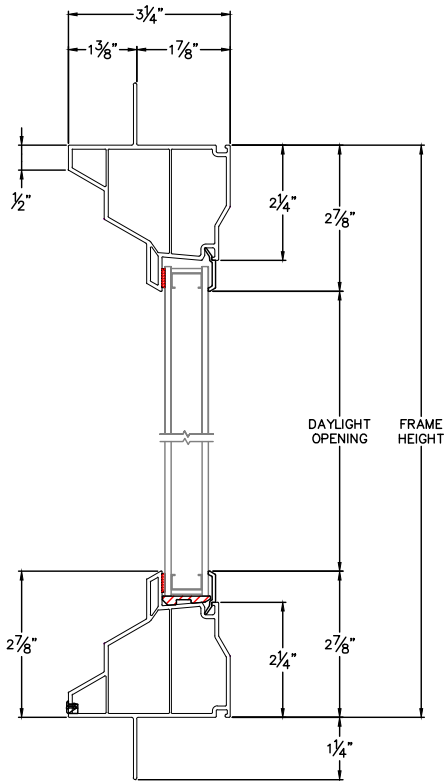
Picture/Radius Window

1-3/8" Fin Setback

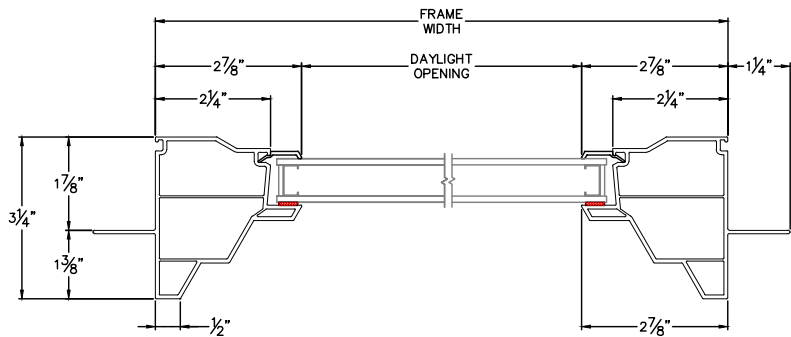
CAD File Scale	View	File Name	Units
NTS	Horizontal & Vertical	8320T-01 PW	Inch

More Technical Documents can be found at milgard.com/professionals
Due to continual research and development, details may be changed at any time. ©2013 Milgard Mfg.

PICTURE WINDOW SERIES 8320



HEAD & SILL



JAMBS

Revit, SketchUp, .PDF and .DWG files can be accessed at
milgard.com/professionals/technical-resources

[Go back to Quick Links](#)

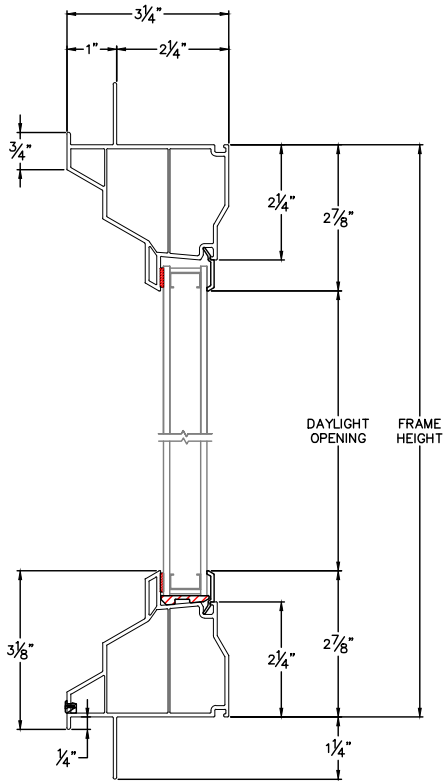
Picture/Radius Window

1" Fin Setback w/Stucco Key

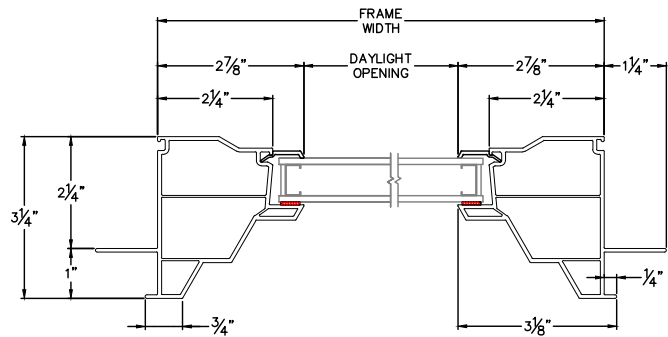
CAD File Scale	View	File Name	Units
NTS	Horizontal & Vertical	8330T-01 PW	Inch

More Technical Documents can be found at milgard.com/professionals
Due to continual research and development, details may be changed at any time. ©2013 Milgard Mfg.

PICTURE WINDOW SERIES 8330



HEAD & SILL



JAMBS

Revit, SketchUp, .PDF and .DWG files can be accessed at
milgard.com/professionals/technical-resources

[Go back to Quick Links](#)

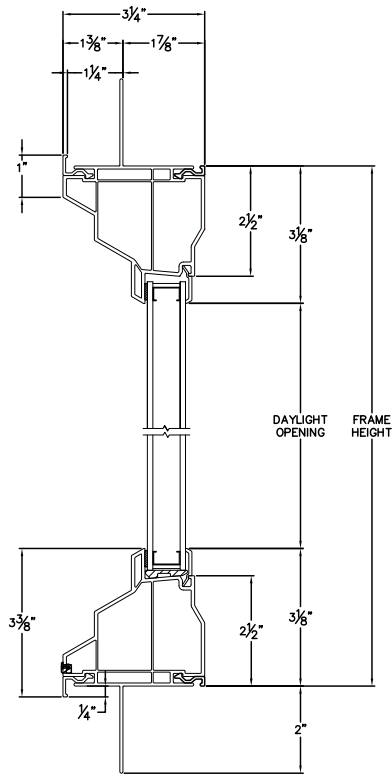
Picture/Radius Window

1-3/8" Fin Setback w/Stucco Key

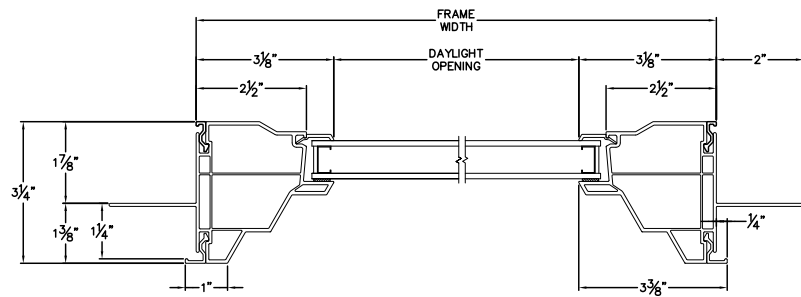
CAD File Scale	View	File Name	Units	Revision
NTS	Horizontal & Vertical	Tuscany_8340_PW_1.375in_stucco	Inch	6/2015

More Technical Documents can be found at milgard.com/professionals
Due to continual research and development, details may be changed at any time. ©2013 Milgard Mfg.

PICTURE WINDOW SERIES 8340



HEAD & SILL



JAMBS

Revit, SketchUp, .PDF and .DWG files can be accessed at
milgard.com/professionals/technical-resources

[Go back to Quick Links](#)

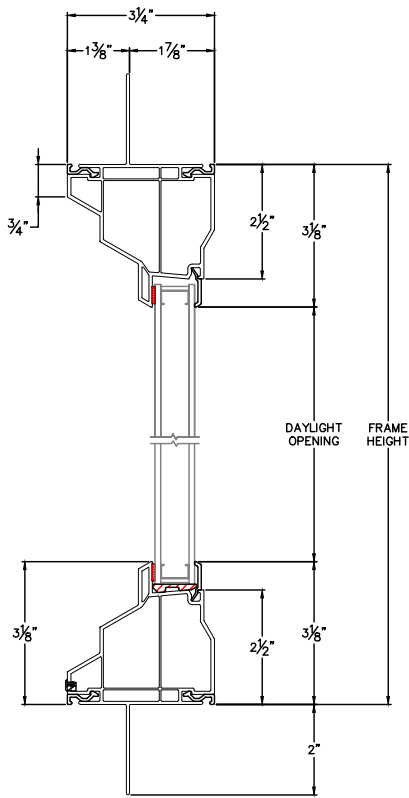
Picture/Radius Window

1-3/8" Fin Setback Accessory Groove Frame, 2" Nail Fin
(Tuscany only)

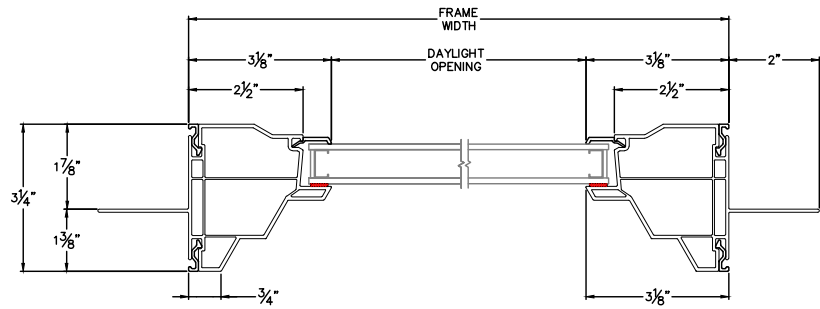
CAD File Scale	View	File Name	Units
NTS	Horizontal & Vertical	8340T-04 PW	Inch

More Technical Documents can be found at milgard.com/professionals
Due to continual research and development, details may be changed at any time. ©2013 Milgard Mfg.

PICTURE WINDOW SERIES 8340



HEAD & SILL



JAMBS

Revit, SketchUp, .PDF and .DWG files can be accessed at
milgard.com/professionals/technical-resources

[Go back to Quick Links](#)

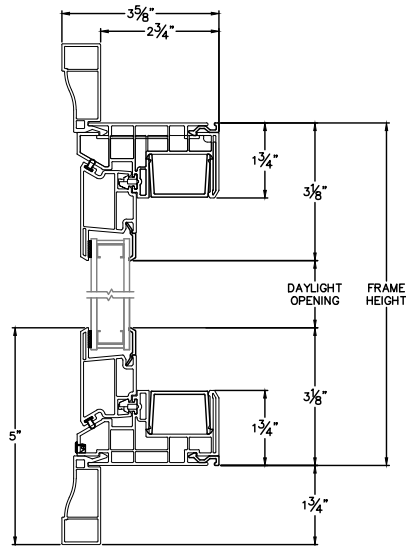
Picture/Radius Window

Welded Brickmold

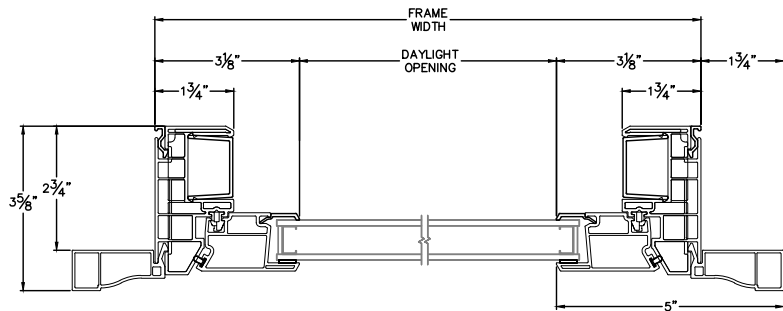
CAD File Scale	View	File Name	Units
NTS	Horizontal & Vertical	Montecito_8220_PW_slider_frame_welded_brickmold	Inch

More Technical Documents can be found at milgard.com/professionals
Due to continual research and development, details may be changed at any time. ©2013 Milgard Mfg.

PICTURE WINDOW SERIES 8220



HEAD & SILL



JAMBS

Revit, SketchUp, .PDF and .DWG files can be accessed at
milgard.com/professionals/technical-resources

[Go back to Quick Links](#)

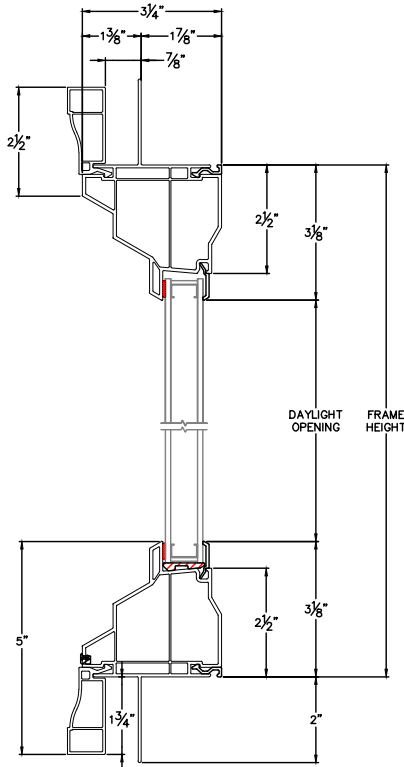
Picture/Radius Window

1-3/8" Fin Setback Accessory Groove Frame, 2" Brickmold

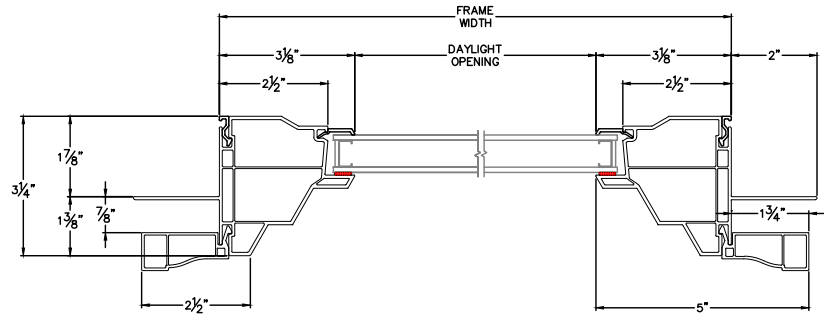
CAD File Scale	View	File Name	Units
NTS	Horizontal & Vertical	8340T-02 PW	Inch

More Technical Documents can be found at milgard.com/professionals
Due to continual research and development, details may be changed at any time. ©2013 Milgard Mfg.

PICTURE WINDOW SERIES 8340



HEAD & SILL



JAMBS

Revit, SketchUp, .PDF and .DWG files can be accessed at
milgard.com/professionals/technical-resources

[Go back to Quick Links](#)

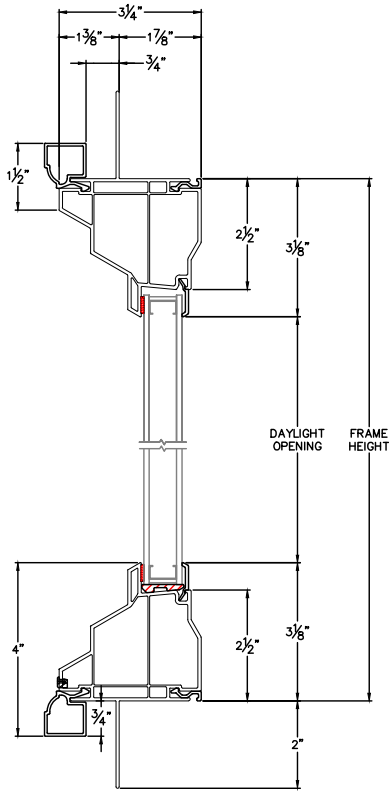
Picture/Radius Window

1-3/8" Fin Setback Accessory Groove Frame, 1" Contour J Channel

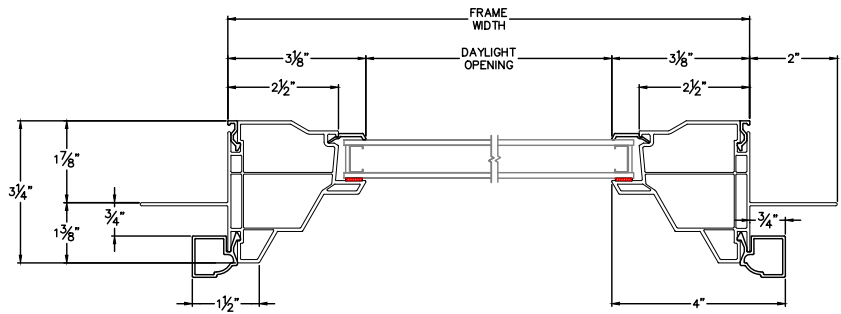
CAD File Scale	View	File Name	Units
NTS	Horizontal & Vertical	8340T-01 PW	Inch

More Technical Documents can be found at milgard.com/professionals
Due to continual research and development, details may be changed at any time. ©2013 Milgard Mfg.

PICTURE WINDOW SERIES 8340



HEAD & SILL



JAMBS

Revit, SketchUp, .PDF and .DWG files can be accessed at
milgard.com/professionals/technical-resources

[Go back to Quick Links](#)

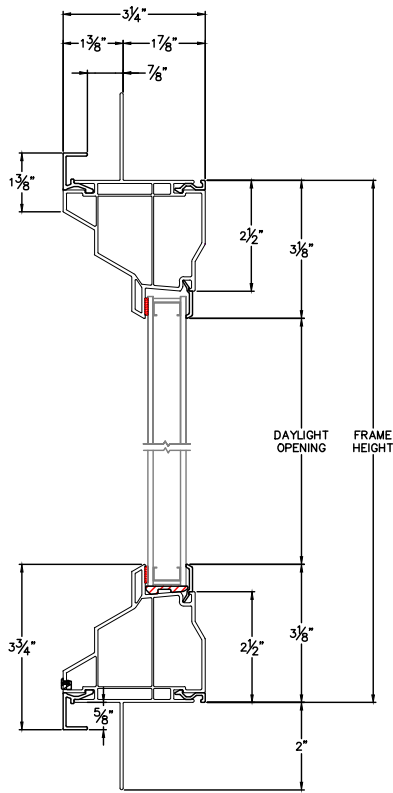
Picture/Radius Window

1-3/8" Fin Setback Accessory Groove Frame, 3/4" Flat J Channel

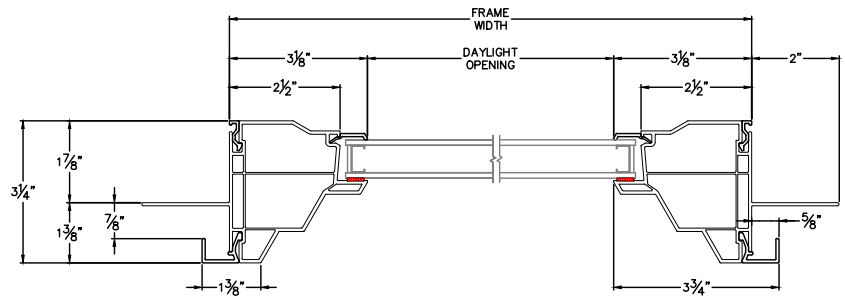
CAD File Scale	View	File Name	Units
NTS	Horizontal & Vertical	8340T-03 PW	Inch

More Technical Documents can be found at milgard.com/professionals
Due to continual research and development, details may be changed at any time. ©2013 Milgard Mfg.

PICTURE WINDOW SERIES 8340



HEAD & SILL



JAMBS

Revit, SketchUp, .PDF and .DWG files can be accessed at
milgard.com/professionals/technical-resources

[Go back to Quick Links](#)

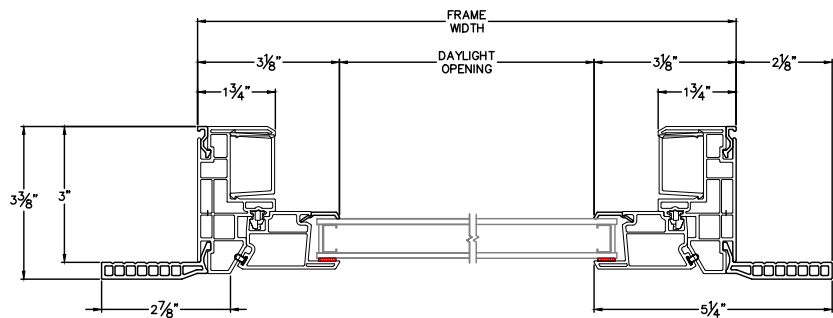
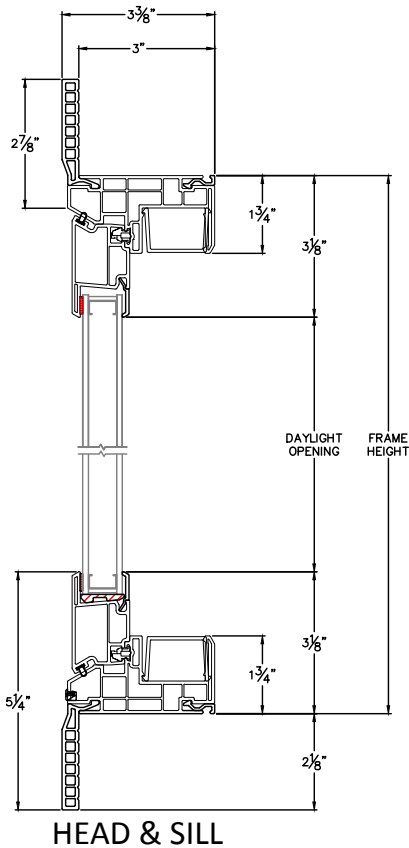
Picture/Radius Window

Accessory Groove Frame, 2-1/8" Contour Z-bar
(Tuscany only)

CAD File Scale	View	File Name	Units
NTS	Horizontal & Vertical	8375T-01 PW	Inch

More Technical Documents can be found at milgard.com/professionals
Due to continual research and development, details may be changed at any time. ©2013 Milgard Mfg.

PICTURE WINDOW SERIES 8375



Revit, SketchUp, .PDF and .DWG files can be accessed at
milgard.com/professionals/technical-resources

[Go back to Quick Links](#)

Picture/Radius Window

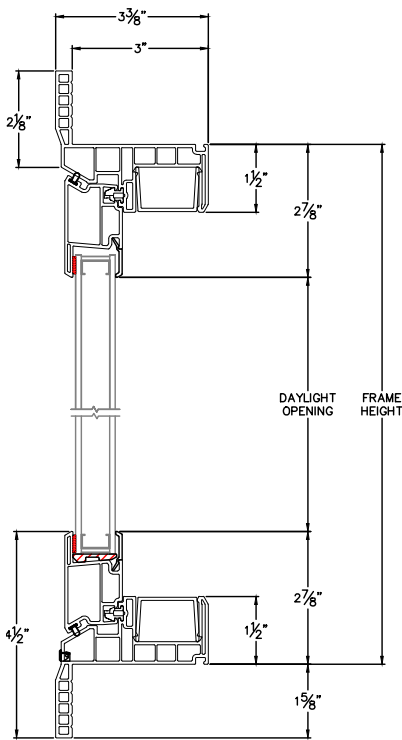
1-5/8" Contour Z Bar

(Tuscany only)

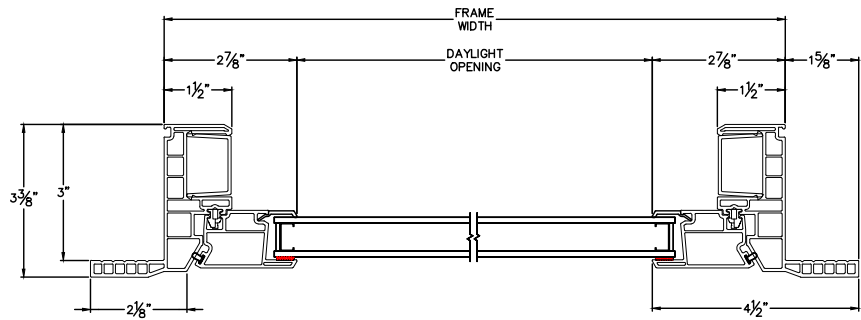
CAD File Scale	View	File Name	Units
NTS	Horizontal & Vertical	8370T-01 PW	Inch

More Technical Documents can be found at milgard.com/professionals
Due to continual research and development, details may be changed at any time. ©2013 Milgard Mfg.

PICTURE WINDOW SERIES 8370



HEAD & SILL



JAMBS

Revit, SketchUp, .PDF and .DWG files can be accessed at milgard.com/professionals/technical-resources

[Go back to Quick Links](#)

Picture/Radius Window

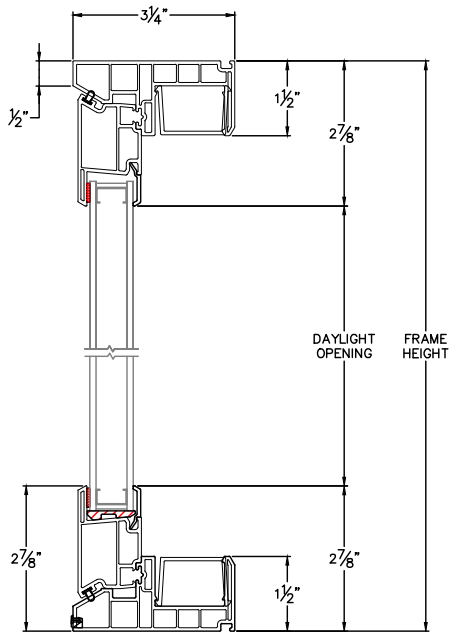
Block Frame

(Tuscany only)

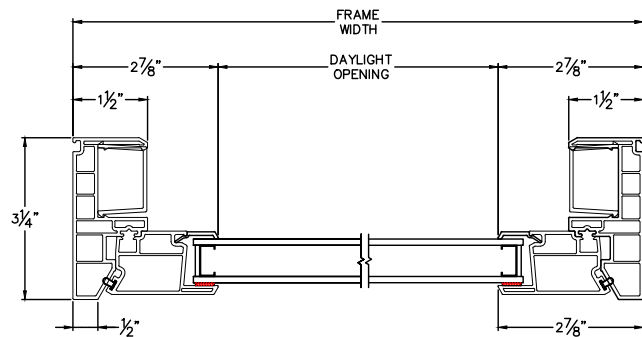
CAD File Scale	View	File Name	Units
NTS	Horizontal & Vertical	8360T-01 PW	Inch

More Technical Documents can be found at milgard.com/professionals
Due to continual research and development, details may be changed at any time. ©2013 Milgard Mfg.

PICTURE WINDOW SERIES 8360



HEAD & SILL



JAMBS

Revit, SketchUp, .PDF and .DWG files can be accessed at
milgard.com/professionals/technical-resources

[Go back to Quick Links](#)

Single Hung and Double Hung Window

Single Hung



On the Tuscany Series and Montecito® Series single hung window, the bottom sash slides upward—the top sash is permanently fixed. The double hung window gives you its unique high and low ventilation with both sashes operable. They can be ordered as individual windows, in double or triple wide combinations or even with a center fixed lite.

The Tuscany Series and Montecito Series vinyl single and double hung windows offer the outstanding insulating properties, low maintenance, and contemporary aesthetic appeal only vinyl can provide. Available in white, tan, and clay (select regions), as well as premium painted exteriors. The windows will maintain their color and shape and can be constructed to your exact size specifications, subject to engineering review.

Double Hung



Please also see:

[Single and Double Hung Hardware](#)

[Premium Exterior Vinyl Finishes](#)

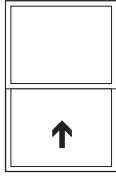
[Full Lifetime Warranty](#)

[Energy Packages](#)

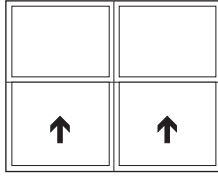
[Accessories](#)

Single Hung Window

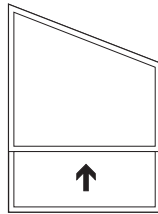
SH Configurations



Single Hung



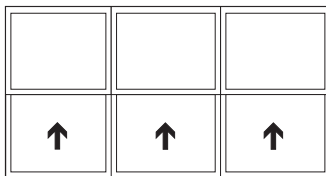
Double Single Hung



Gable Top Single Hung



Double Single Hung/Center Lite



Triple Single Hung

SH Minimum/Maximum Sizes

SINGLE-HUNG

- Min 1'6" Max 4'7"

DOUBLE SINGLE-HUNG

- Min 3'0" Max 8'0"

TRIPLE SINGLE-HUNG

- Min 4'2" Max 9'0"

Minimum egress is 3'5" with a 30" bar set or 2'6" with a 36" bar set.

SH vent set: 12", 15", 18", 21", 24", 27", 30", 33" or 36"

SH Available Frame Styles

NO NAIL-ON FIN:

- 8220T Block Frame
- 8270T 1-5/8" Narrow Z-Bar (Tuscany only)
- 8240T 2-1/8" Wide Z-Bar (Tuscany only)

INCLUDES NAIL-ON FIN:

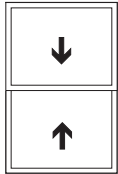
- 8220T 1-3/8" Nail Fin Setback
- 8230T 1" Nail Fin Setback with Stucco Key
- 8240T 1-3/8" Nail Fin Setback, 2" Long Nail Fin
- 8240T 1-3/8" Nail Fin Setback, 2" Long Nail Fin with optional:
 - 3/4" Flat J-channel
 - 1" Contoured J-channel
 - 2" Brickmold-style J-channel
 - Welded Brickmold

NOTE: For engineering approval contact your Milgard representative for any configuration over 40 square feet. Each Milgard Manufacturing plant reserves the right to alter or change sizes and configurations according to location capabilities. Ask your Milgard rep about specialty applications. Windows over 40 square feet shipped open for field glazing. Varies by location.

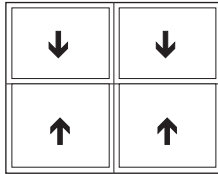
Not all frame styles available at all Milgard locations. Contact your Milgard Representative for more information.

Double Hung Window

DH Configurations



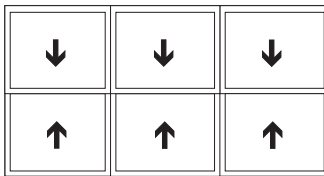
Double Hung



Double Double Hung



Double Double-Hung/Center Lite



Triple Double-Hung

DH Minimum/Maximum Sizes

DOUBLE-HUNG

- Min 1'6"
- Max 4'7"

DOUBLE DOUBLE-HUNG

- Min 3'2"
- Max 6'7"

TRIPLE DOUBLE-HUNG

- Min 4'2"
- Max 9'7"

Minimum egress is 3'5" with a center bar set or 2'6" with a center bar set.

DH vent set: 1/2 window height

DH Available Frame Styles

NO NAIL-ON FIN:

- 8225T Block Frame
- 1-5/8" Narrow Z-Bar
- 2-1/8" Wide Z-Bar

INCLUDES NAIL-ON FIN:

- 8225T 1-3/8" Nail Fin Setback
- 1-3/8" Nail Fin Setback, 2" Long Nail Fin with optional:
 - 3/4" Flat J-channel
 - 1" Contoured J-channel
 - 2" Brickmold-style J-channel
 - Welded Brickmold

NOTE: For engineering approval contact your Milgard representative for any configuration over 40 square feet. Each Milgard Manufacturing plant reserves the right to alter or change sizes and configurations according to location capabilities. Ask your Milgard rep about specialty applications. Windows over 40 square feet shipped open for field glazing. Varies by location.

Not all frame styles available at all Milgard locations. Contact your Milgard Representative for more information.

Drawings - Quick Links

Single Hung Window

- 108—1-3/8" Fin Setback
- 109—1" Fin Setback w/Stucco Key
- 110—1-3/8" Fin Setback w/Stucco Key
- 111—1-3/8" Fin Setback Accessory Groove Frame, 2" Nail Fin
- 112—Welded Brickmold
- 113—1-3/8" Fin Setback Accessory Groove Frame, 2" Brickmold
- 114—1-3/8" Fin Setback Accessory Groove Frame, 1" Contour J Channel
- 115—1-3/8" Fin Setback Accessory Groove Frame , 3/4" Flat J Channel
- 116—Accessory Groove Frame, 2-1/8" Contour Z-Bar
- 117—1-5/8" Contour Z-Bar
- 118—Block Frame
- 119—Double Below Double Picture - 1-3/8" Setback
- 120—Double over Double Picture - 1-3/8" Setback
- 121—SH above Picture - 1-3/8" Setback

Double Hung Window

- 122—1-3/8" Fin Setback
- 123—Welded Brickmold
- 124—1-3/8" Fin Setback Accessory Groove Frame, 2" Brickmold
- 125—1-3/8" Fin Setback Accessory Groove Frame, 1" Contour J Channel
- 126—1-3/8" Fin Setback Accessory Groove Frame, 3/4" Flat J Channel
- 127—Accessory Groove Frame, 2-1/8" Contour Z-Bar
- 128—1-5/8" Contour Z-Bar
- 129—Block Frame

Revit, SketchUp, .PDF and .DWG files can be accessed at milgard.com/professionals/technical-resources

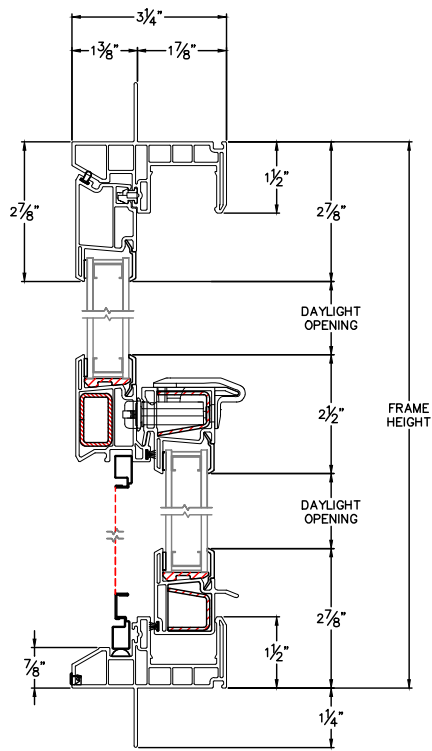
Single Hung Window

1-3/8" Fin Setback

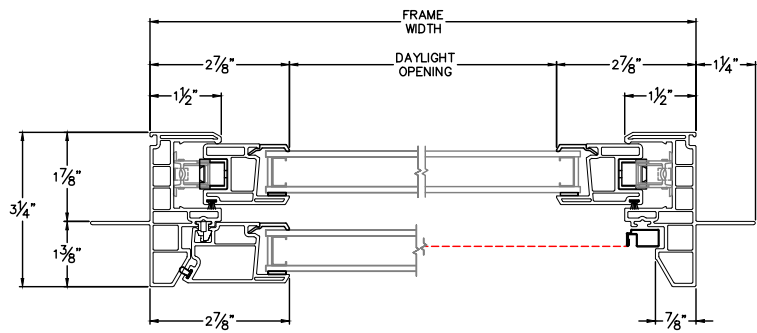
CAD File Scale	View	File Name	Units
NTS	Horizontal & Vertical	8220T-01 SH	Inch

More Technical Documents can be found at milgard.com/professionals
Due to continual research and development, details may be changed at any time. ©2013 Milgard Mfg.

SINGLE HUNG SERIES 8220



HEAD & SILL



JAMBS

Revit, SketchUp, .PDF and .DWG files can be accessed at
milgard.com/professionals/technical-resources

[Go back to Quick Links](#)

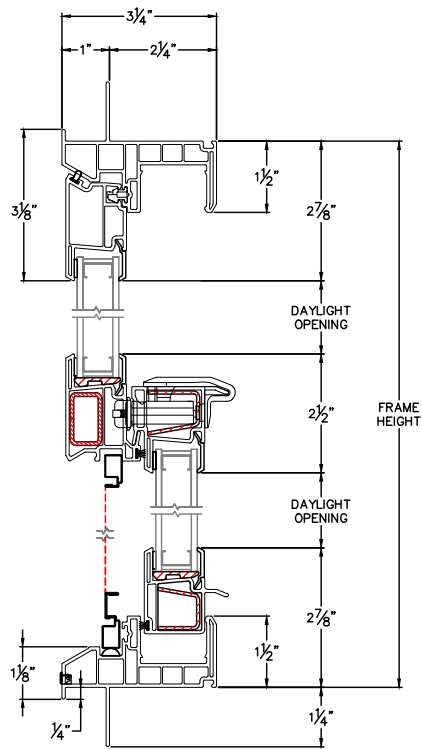
Single Hung Window

1" Fin Setback w/Stucco Key

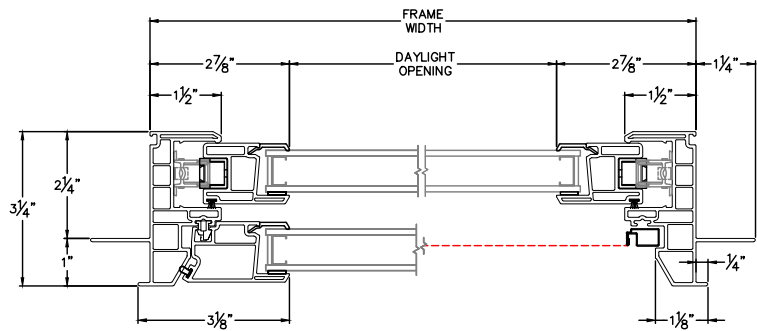
CAD File Scale	View	File Name	Units
NTS	Horizontal & Vertical	8230T-01 SH	Inch

More Technical Documents can be found at milgard.com/professionals
Due to continual research and development, details may be changed at any time. ©2013 Milgard Mfg.

SINGLE HUNG SERIES 8230



HEAD & SILL



JAMBS

Revit, SketchUp, .PDF and .DWG files can be accessed at
milgard.com/professionals/technical-resources

[Go back to Quick Links](#)

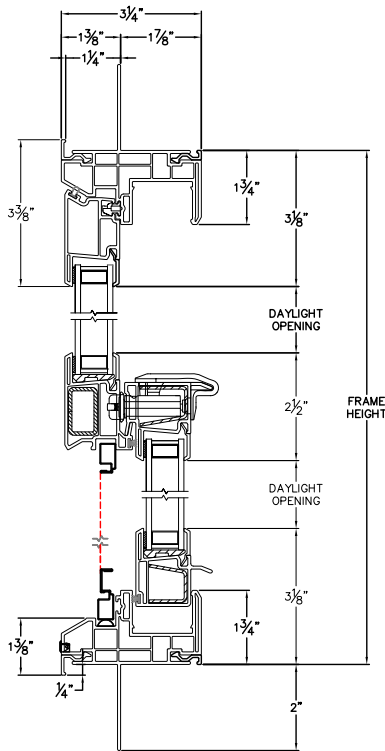
Single Hung Window

1-3/8" Fin Setback w/Stucco Key

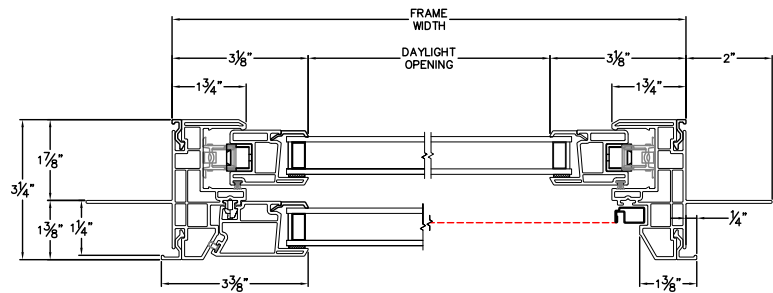
CAD File Scale	View	File Name	Units	Revision
NTS	Horizontal & Vertical	Tuscany_8240_SH_1.375in_stucco	Inch	6/2015

More Technical Documents can be found at milgard.com/professionals
Due to continual research and development, details may be changed at any time. ©2013 Milgard Mfg.

SINGLE HUNG SERIES 8240



HEAD & SILL



JAMBS

Revit, SketchUp, .PDF and .DWG files can be accessed at
milgard.com/professionals/technical-resources

[Go back to Quick Links](#)

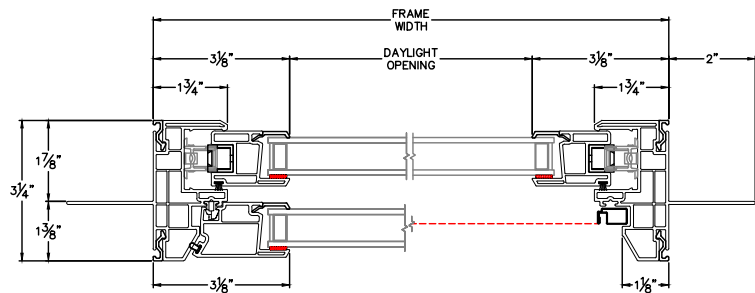
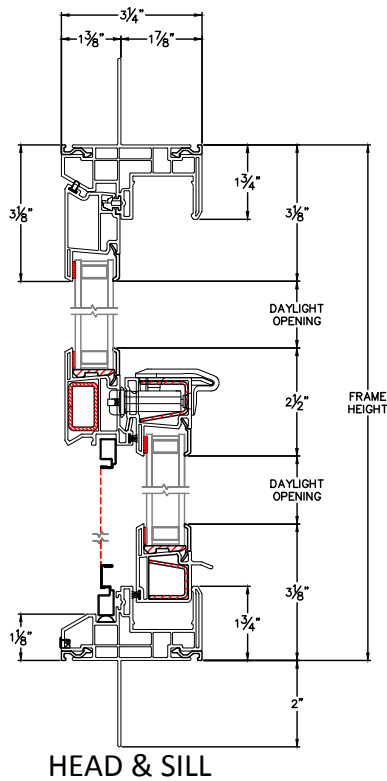
Single Hung Window

1-3/8" Fin Setback Accessory Groove Frame, 2" Nail Fin
(Tuscany only)

CAD File Scale	View	File Name	Units
NTS	Horizontal & Vertical	8240T-03 SH	Inch

More Technical Documents can be found at milgard.com/professionals
Due to continual research and development, details may be changed at any time. ©2013 Milgard Mfg.

SINGLE HUNG SERIES 8240



JAMBS

Revit, SketchUp, .PDF and .DWG files can be accessed at
milgard.com/professionals/technical-resources

[Go back to Quick Links](#)

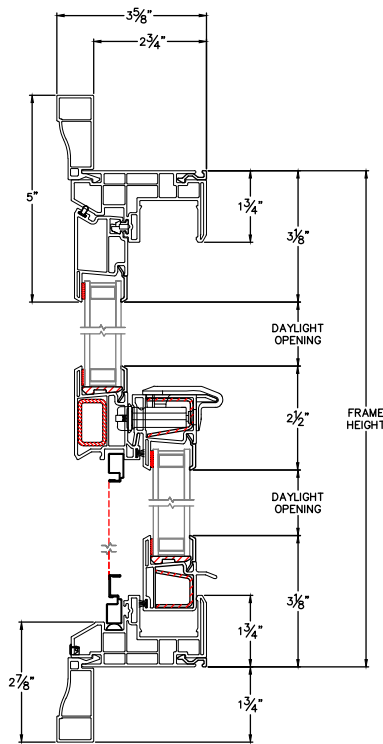
Single Hung Window

Welded Brickmold

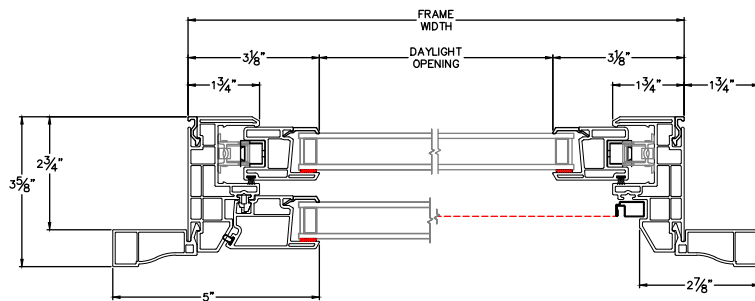
CAD File Scale	View	File Name	Units
NTS	Horizontal & Vertical	Tuscany_8240_SH_welded_brickmold	Inch

More Technical Documents can be found at milgard.com/professionals
Due to continual research and development, details may be changed at any time. ©2013 Milgard Mfg.

SINGLE HUNG SERIES 8240



HEAD & SILL



JAMBS

Revit, SketchUp, .PDF and .DWG files can be accessed at
milgard.com/professionals/technical-resources

[Go back to Quick Links](#)

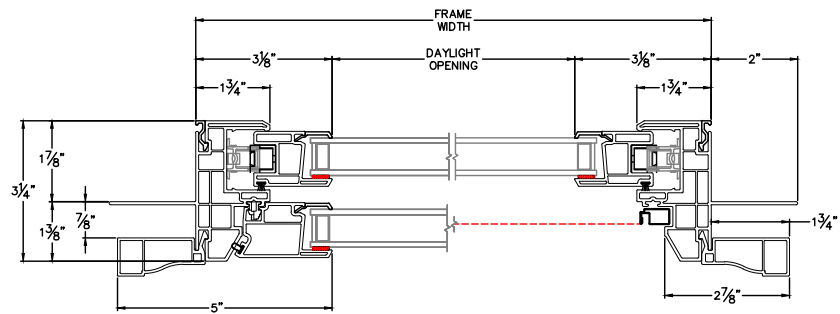
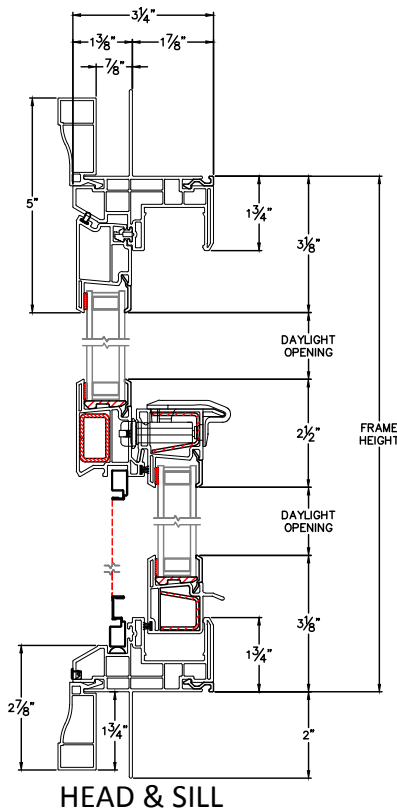
Single Hung Window

1-3/8" Fin Setback Accessory Groove Frame, 2" Brickmold

CAD File Scale	View	File Name	Units
NTS	Horizontal & Vertical	8240T-02 SH	Inch

More Technical Documents can be found at milgard.com/professionals
Due to continual research and development, details may be changed at any time. ©2013 Milgard Mfg.

SINGLE HUNG SERIES 8240



JAMBS

Revit, SketchUp, .PDF and .DWG files can be accessed at milgard.com/professionals/technical-resources

[Go back to Quick Links](#)

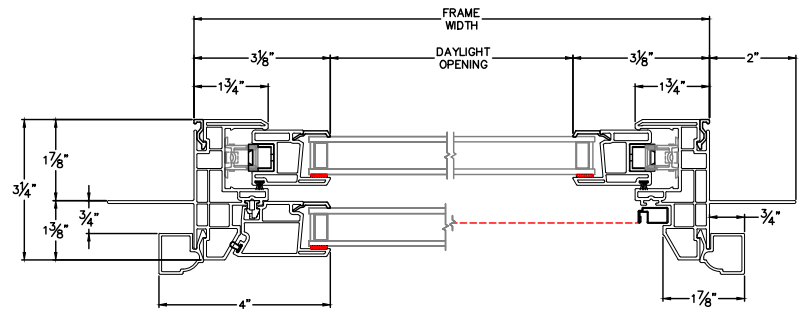
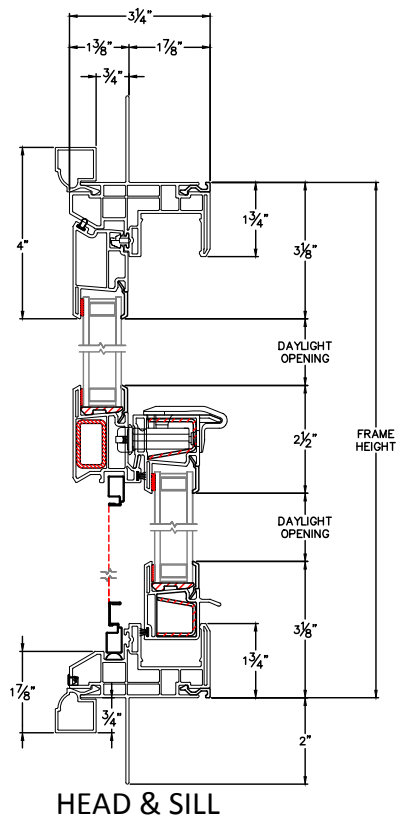
Single Hung Window

1-3/8" Fin Setback Accessory Groove Frame, 1" Contour J Channel

CAD File Scale	View	File Name	Units
NTS	Horizontal & Vertical	8240T-01 SH	Inch

More Technical Documents can be found at milgard.com/professionals
Due to continual research and development, details may be changed at any time. ©2013 Milgard Mfg.

SINGLE HUNG SERIES 8240



Revit, SketchUp, .PDF and .DWG files can be accessed at milgard.com/professionals/technical-resources

[Go back to Quick Links](#)

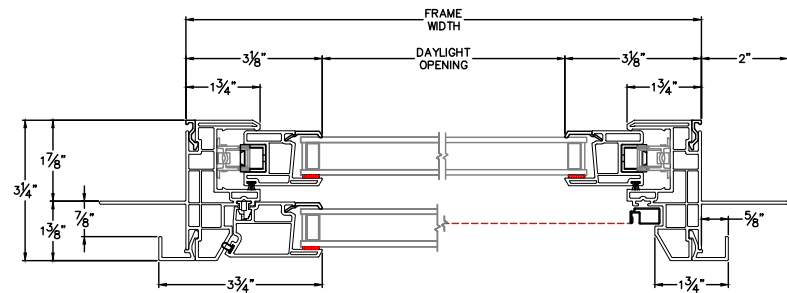
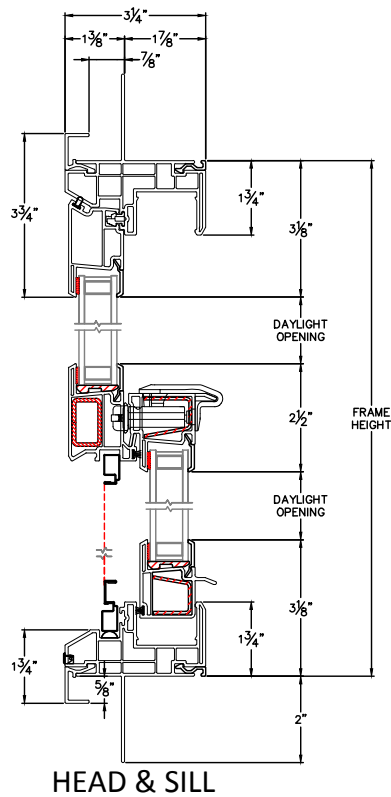
Single Hung Window

1-3/8" Fin Setback Accessory Groove Frame , 3/4" Flat J Channel

CAD File Scale	View	File Name	Units
NTS	Horizontal & Vertical	8240T-04 SH	Inch

More Technical Documents can be found at milgard.com/professionals
Due to continual research and development, details may be changed at any time. ©2013 Milgard Mfg.

SINGLE HUNG SERIES 8240



Revit, SketchUp, .PDF and .DWG files can be accessed at
milgard.com/professionals/technical-resources

[Go back to Quick Links](#)

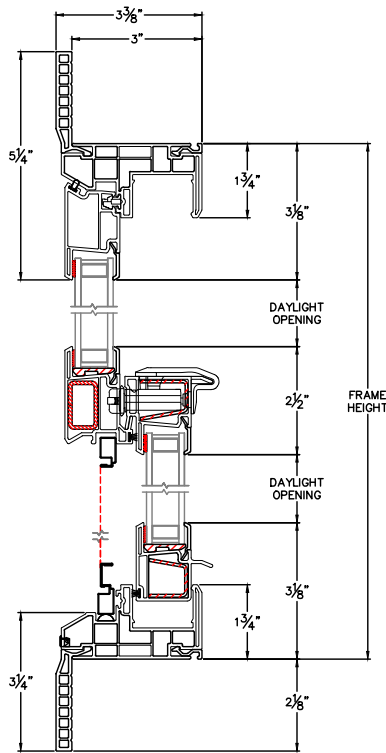
Single Hung Window

Accessory Groove Frame, 2-1/8" Contour Z-Bar
(Tuscany only)

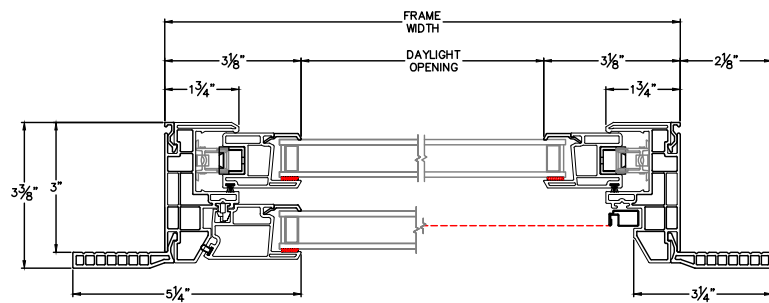
CAD File Scale	View	File Name	Units
NTS	Horizontal & Vertical	8240T-05 SH	Inch

More Technical Documents can be found at milgard.com/professionals
Due to continual research and development, details may be changed at any time. ©2013 Milgard Mfg.

SINGLE HUNG SERIES 8240



HEAD & SILL



JAMBS

Revit, SketchUp, .PDF and .DWG files can be accessed at
milgard.com/professionals/technical-resources

[Go back to Quick Links](#)

Single Hung Window

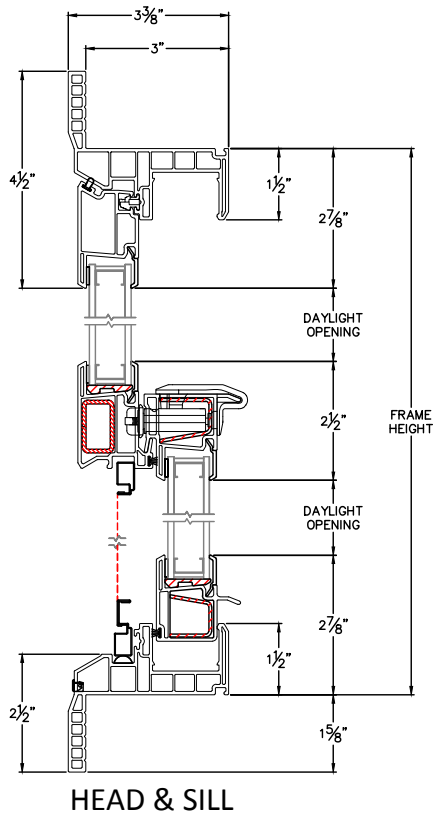
1-5/8" Contour Z-Bar

(Tuscany only)

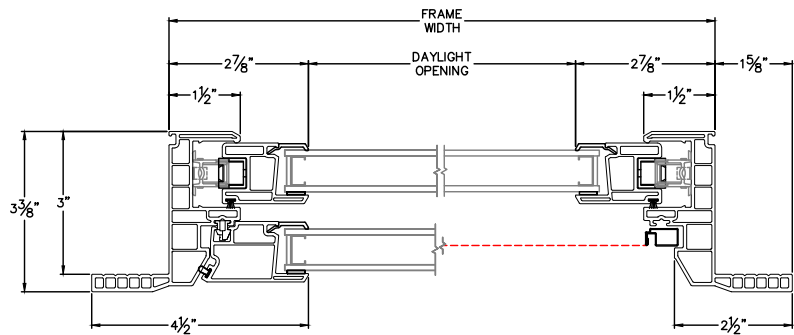
CAD File Scale	View	File Name	Units
NTS	Horizontal & Vertical	8270T-01 SH	Inch

More Technical Documents can be found at milgard.com/professionals
Due to continual research and development, details may be changed at any time. ©2013 Milgard Mfg.

SINGLE HUNG SERIES 8270



HEAD & SILL



JAMBS

Revit, SketchUp, .PDF and .DWG files can be accessed at milgard.com/professionals/technical-resources

[Go back to Quick Links](#)

Single Hung Window

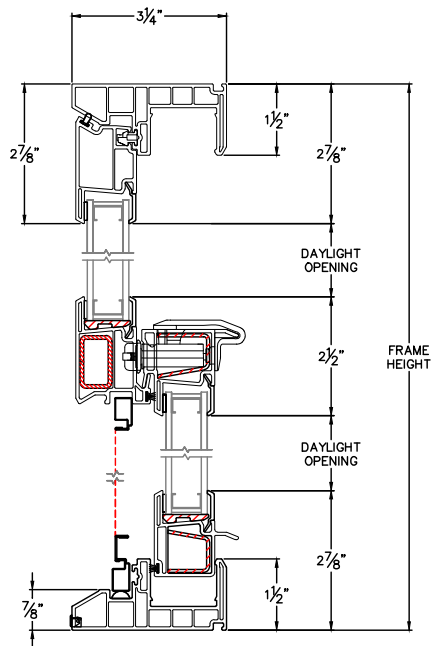
Block Frame

(Tuscany only)

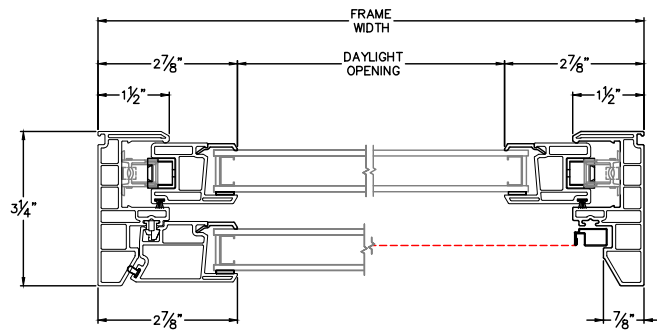
CAD File Scale	View	File Name	Units
NTS	Horizontal & Vertical	8220T-02 SH	Inch

More Technical Documents can be found at milgard.com/professionals
Due to continual research and development, details may be changed at any time. ©2013 Milgard Mfg.

SINGLE HUNG SERIES 8220



HEAD & SILL



JAMBS

Revit, SketchUp, .PDF and .DWG files can be accessed at
milgard.com/professionals/technical-resources

[Go back to Quick Links](#)

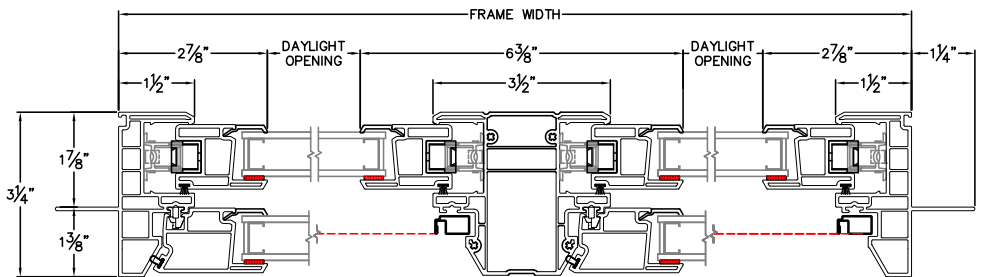
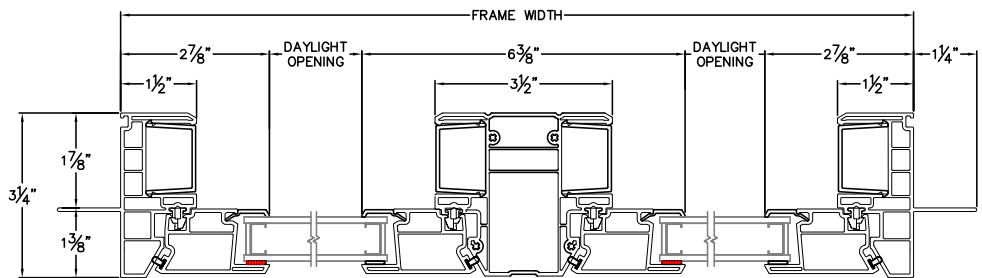
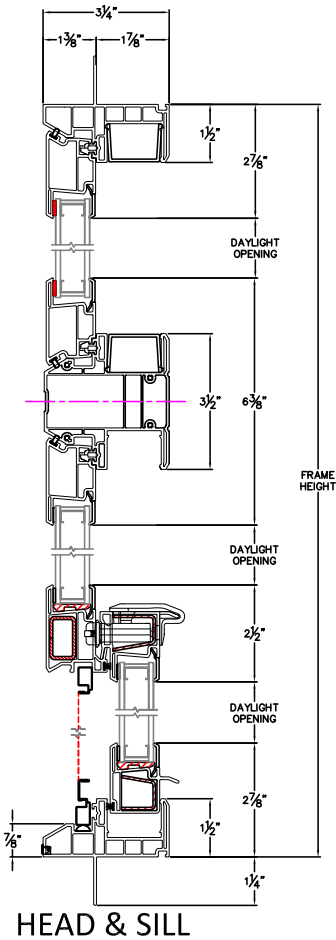
Single Hung Window

Double Below Double Picture - 1-3/8" Setback

CAD File Scale	View	File Name	Units
NTS	Horizontal & Vertical	8220T DSHB2	Inch

More Technical Documents can be found at milgard.com/professionals
Due to continual research and development, details may be changed at any time. ©2013 Milgard Mfg.

SINGLE HUNG BELOW 2 LITES SERIES 8220



Revit, SketchUp, .PDF and .DWG files can be accessed at
milgard.com/professionals/technical-resources

[Go back to Quick Links](#)

Single Hung Window

Double over Double Picture - 1-3/8" Setback

CAD File Scale
NTS

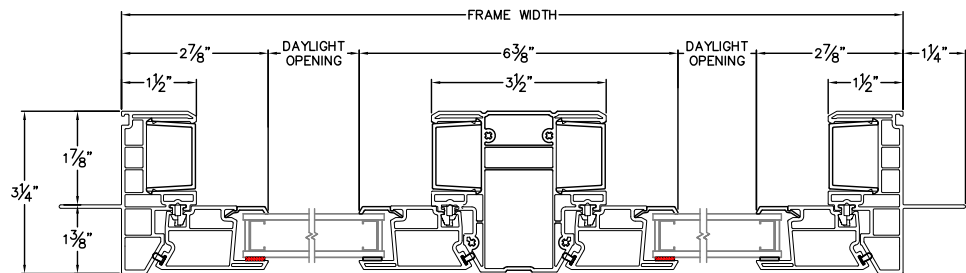
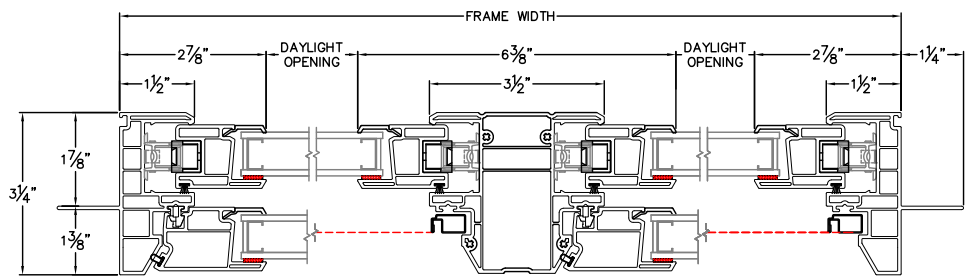
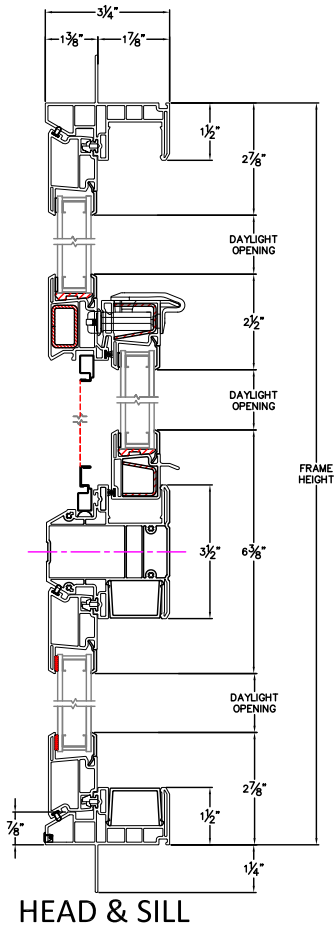
View
Horizontal & Vertical

File Name
8220T DSHA2

Units
Inch

More Technical Documents can be found at milgard.com/professionals
Due to continual research and development, details may be changed at any time. ©2013 Milgard Mfg.

SINGLE HUNG ABOVE 2 LITES SERIES 8220



Revit, SketchUp, .PDF and .DWG files can be accessed at
milgard.com/professionals/technical-resources

[Go back to Quick Links](#)

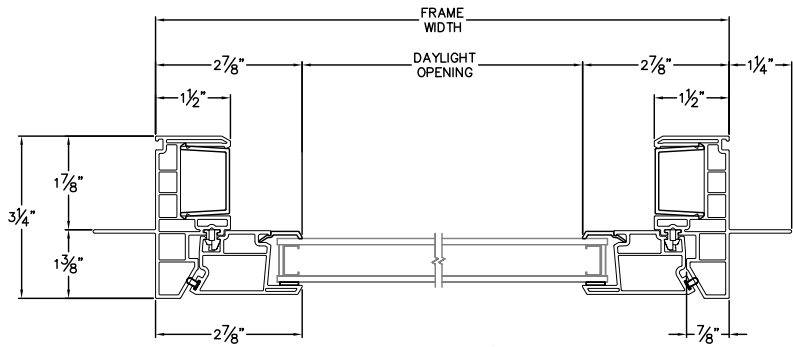
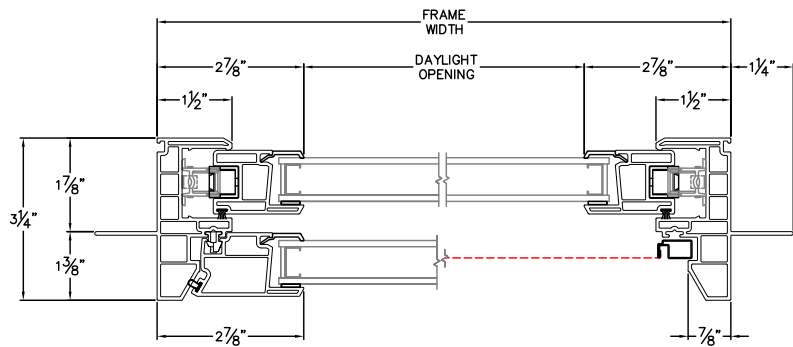
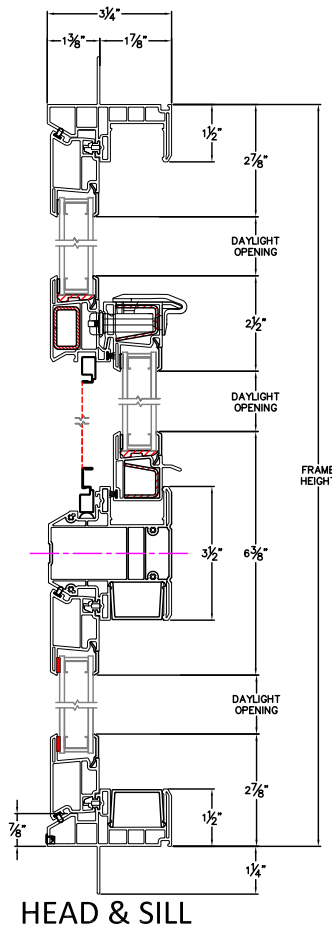
Single Hung Window

SH above Picture - 1-3/8" Setback

CAD File Scale	View	File Name	Units
NTS	Horizontal & Vertical	8220T SHA	Inch

More Technical Documents can be found at milgard.com/professionals
Due to continual research and development, details may be changed at any time. ©2013 Milgard Mfg.

SINGLE HUNG ABOVE SERIES 8220



Revit, SketchUp, .PDF and .DWG files can be accessed at milgard.com/professionals/technical-resources

[Go back to Quick Links](#)

Double Hung Window

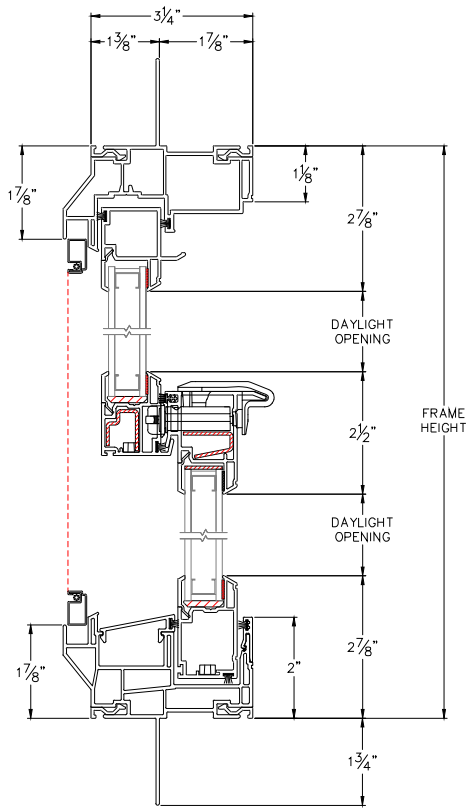
1-3/8" Fin Setback

CAD File Scale	View	File Name	Units
NTS	Horizontal & Vertical	8225T-06 DH	Inch

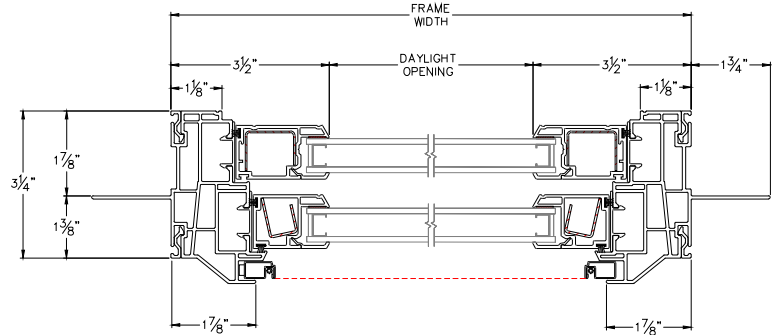
More Technical Documents can be found at milgard.com/professionals

Due to continual research and development, details may be changed at any time. ©2013 Milgard Mfg.

DOUBLE HUNG SERIES 8225



HEAD & SILL



JAMBS

Revit, SketchUp, .PDF and .DWG files can be accessed at
milgard.com/professionals/technical-resources

[Go back to Quick Links](#)

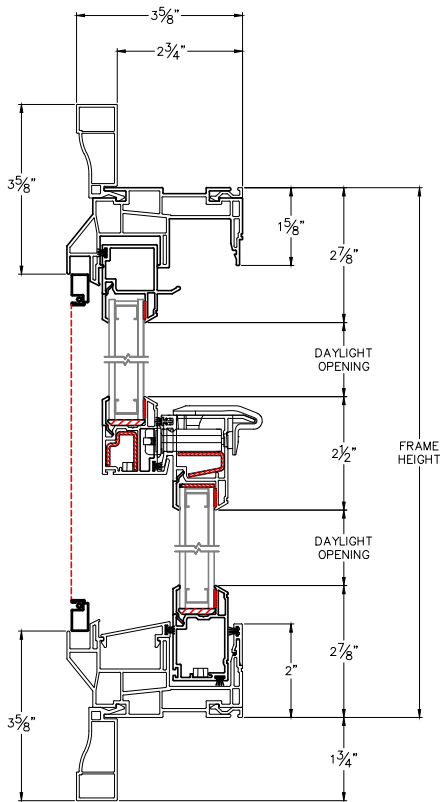
Double Hung Window

Welded Brickmold

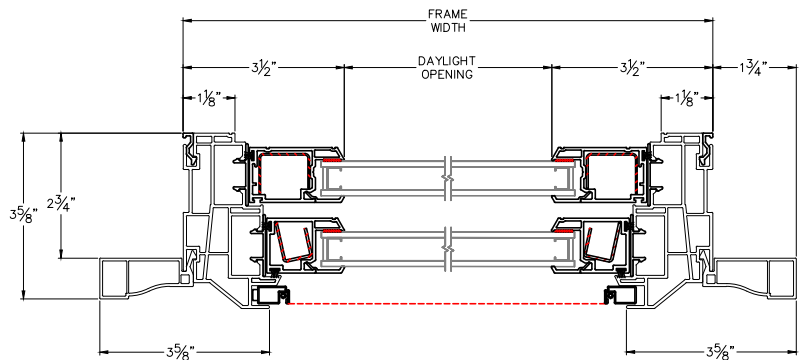
CAD File Scale	View	File Name	Units
NTS	Horizontal & Vertical	Tuscany_8225_DH_welded_brickmold	Inch

More Technical Documents can be found at milgard.com/professionals
Due to continual research and development, details may be changed at any time. ©2013 Milgard Mfg.

DOUBLE HUNG SERIES 8225



HEAD & SILL



JAMBS

Revit, SketchUp, .PDF and .DWG files can be accessed at
milgard.com/professionals/technical-resources

[Go back to Quick Links](#)

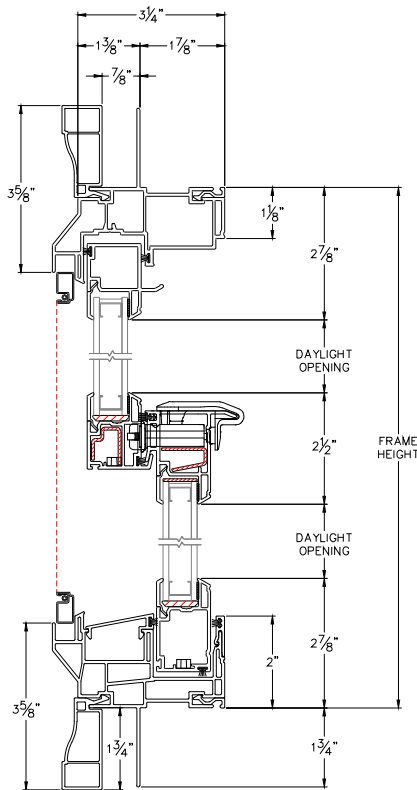
Double Hung Window

1-3/8" Fin Setback Accessory Groove Frame, 2" Brickmold

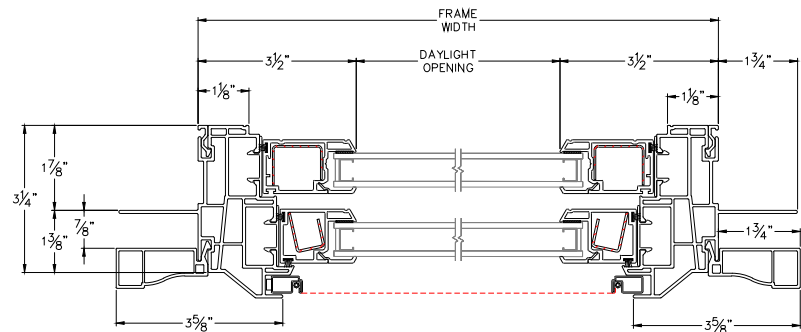
CAD File Scale	View	File Name	Units
NTS	Horizontal & Vertical	8225T-03 DH	Inch

More Technical Documents can be found at milgard.com/professionals
Due to continual research and development, details may be changed at any time. ©2013 Milgard Mfg.

DOUBLE HUNG SERIES 8225



HEAD & SILL



JAMBS

Revit, SketchUp, .PDF and .DWG files can be accessed at
milgard.com/professionals/technical-resources

[Go back to Quick Links](#)

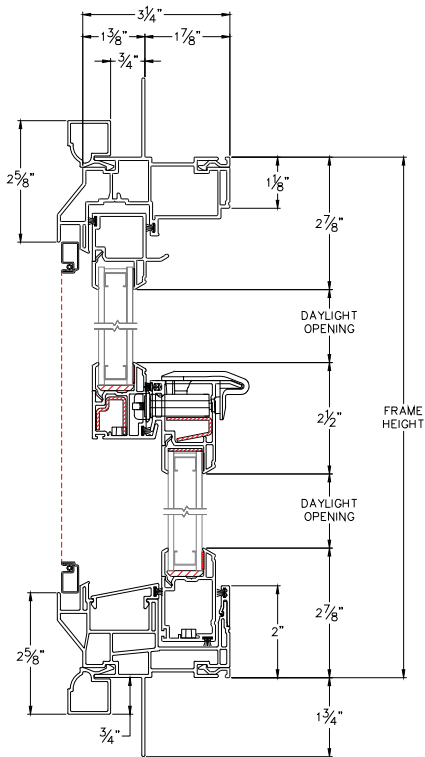
Double Hung Window

1-3/8" Fin Setback Accessory Groove Frame, 1" Contour J Channel

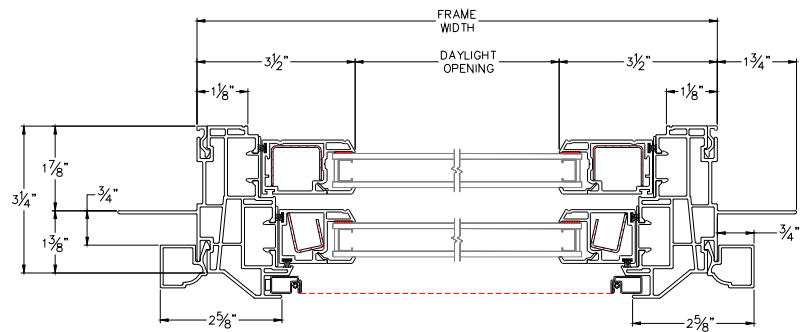
CAD File Scale	View	File Name	Units
NTS	Horizontal & Vertical	8225T-01 DH	Inch

More Technical Documents can be found at milgard.com/professionals
Due to continual research and development, details may be changed at any time. ©2013 Milgard Mfg.

DOUBLE HUNG SERIES 8225



HEAD & SILL



JAMBS

Revit, SketchUp, .PDF and .DWG files can be accessed at
milgard.com/professionals/technical-resources

[Go back to Quick Links](#)

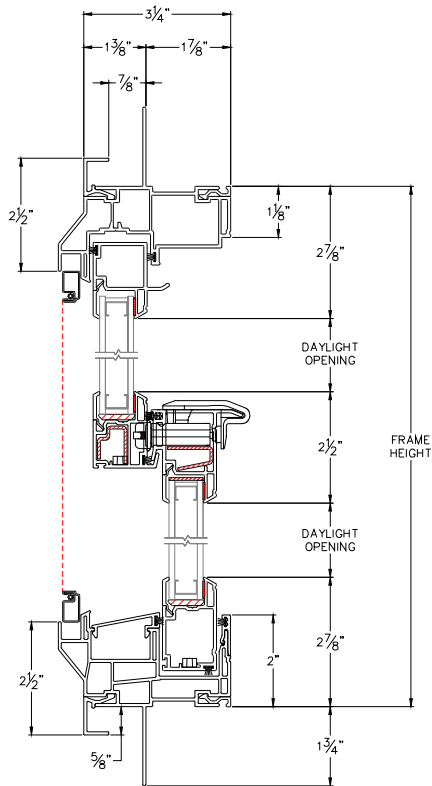
Double Hung Window

1-3/8" Fin Setback Accessory Groove Frame, 3/4" Flat J Channel

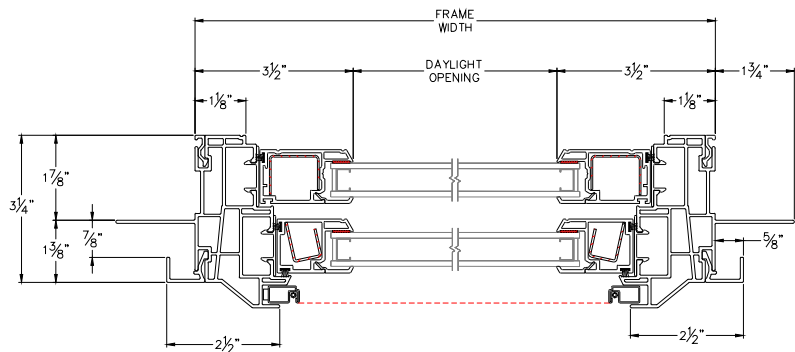
CAD File Scale	View	File Name	Units
NTS	Horizontal & Vertical	8225T-04 DH	Inch

More Technical Documents can be found at milgard.com/professionals
Due to continual research and development, details may be changed at any time. ©2013 Milgard Mfg.

DOUBLE HUNG SERIES 8225



HEAD & SILL



JAMBS

Revit, SketchUp, .PDF and .DWG files can be accessed at
milgard.com/professionals/technical-resources

[Go back to Quick Links](#)

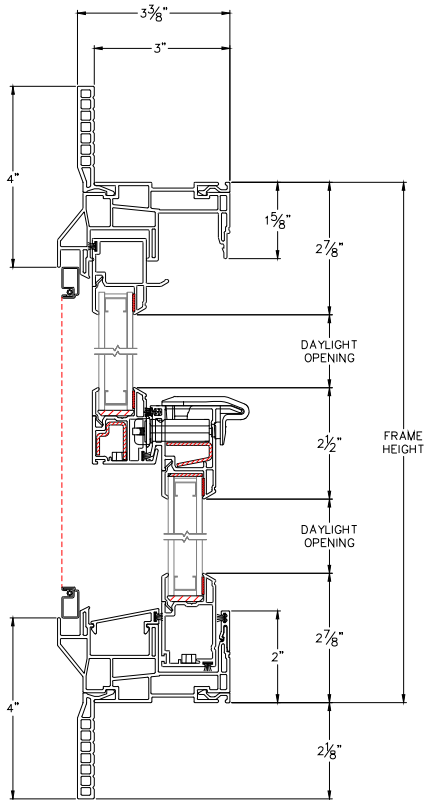
Double Hung Window

Accessory Groove Frame, 2-1/8" Contour Z-Bar
(Tuscany only)

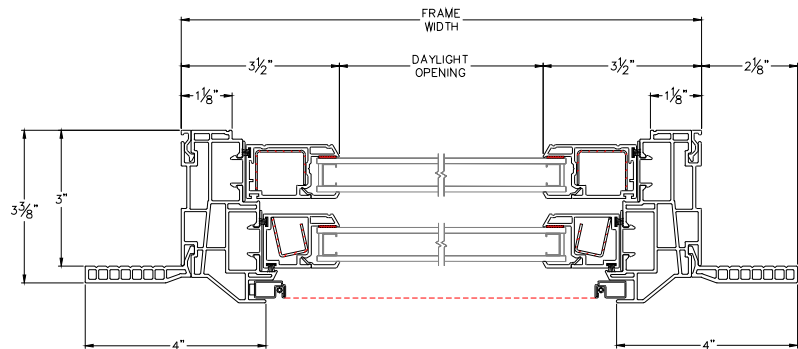
CAD File Scale	View	File Name	Units
NTS	Horizontal & Vertical	8225T-02 DH	Inch

More Technical Documents can be found at milgard.com/professionals
Due to continual research and development, details may be changed at any time. ©2013 Milgard Mfg.

DOUBLE HUNG SERIES 8225



HEAD & SILL



JAMBS

Revit, SketchUp, .PDF and .DWG files can be accessed at
milgard.com/professionals/technical-resources

[Go back to Quick Links](#)

Double Hung Window

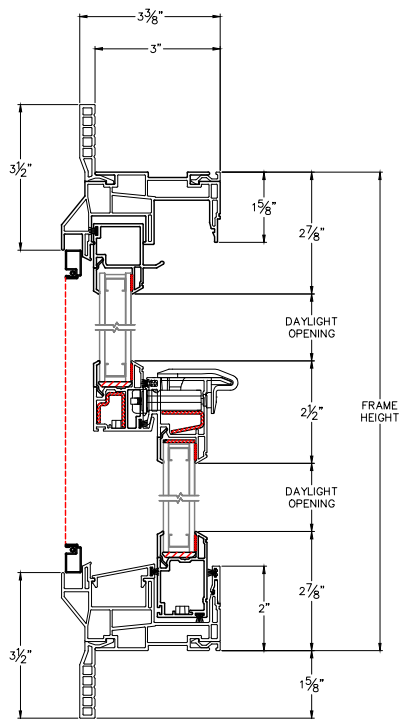
1-5/8" Contour Z-Bar

(Tuscany only)

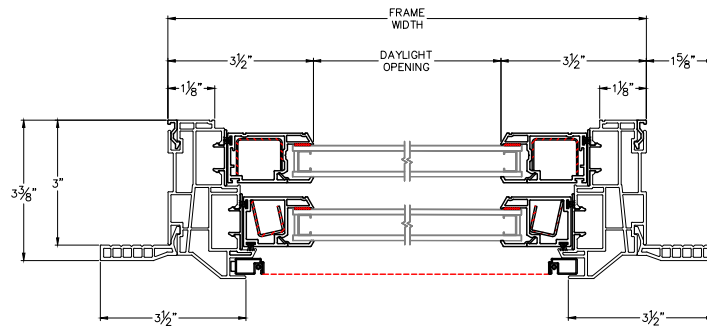
CAD File Scale	View	File Name	Units
NTS	Horizontal & Vertical	Tuscany_8225_DH_1.625_z-bar	Inch

More Technical Documents can be found at milgard.com/professionals
Due to continual research and development, details may be changed at any time. ©2013 Milgard Mfg.

DOUBLE HUNG SERIES 8225



HEAD & SILL



JAMBS

Revit, SketchUp, .PDF and .DWG files can be accessed at
milgard.com/professionals/technical-resources

[Go back to Quick Links](#)

Double Hung Window

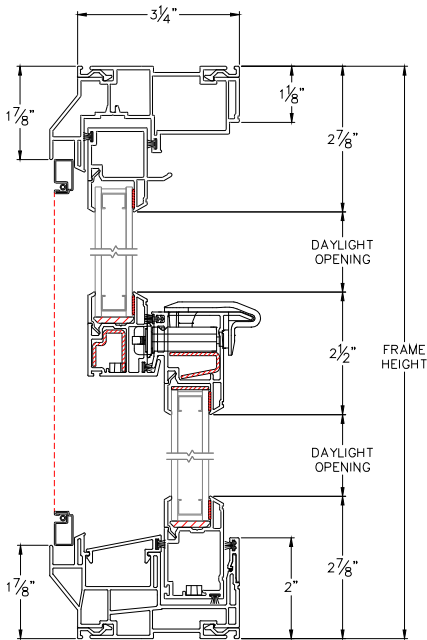
Block Frame

(Tuscany only)

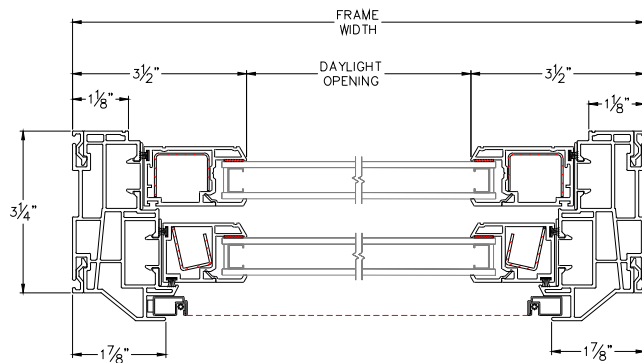
CAD File Scale	View	File Name	Units
NTS	Horizontal & Vertical	8225T-05 DH	Inch

More Technical Documents can be found at milgard.com/professionals
Due to continual research and development, details may be changed at any time. ©2013 Milgard Mfg.

DOUBLE HUNG SERIES 8225



HEAD & SILL



JAMBS

Revit, SketchUp, .PDF and .DWG files can be accessed at
milgard.com/professionals/technical-resources

[Go back to Quick Links](#)

Bay & Bow Window



Milgard's Bay Windows include 18", 24" or 30" "flankers" or side windows, joined at 45 degrees to a picture window in the center. Flankers are available in picture, single-hung, or casement windows.

Milgard's Bow Windows are standard in 3', 4', or 5' heights joined at 13 degrees in overall size from 5'1" to 10'5". Flankers are available in picture, single-hung, casement or awning windows.

Milgard Vinyl Bay/Bow Windows are available in custom sizes to match almost any design, either new or retrofit.



The Tuscany Series and Montecito Series vinyl windows offer the outstanding insulating properties, low maintenance, and contemporary aesthetic appeal only vinyl can provide. Available in white, tan, and clay (select regions), as well as premium painted exteriors. The windows will maintain their color and shape and can be constructed to your exact size specifications, subject to engineering review.

Please also see:

[Window Hardware](#)

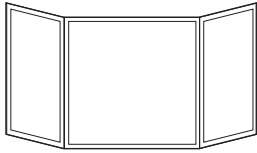
[Premium Exterior Vinyl Finishes](#)

[Full Lifetime Warranty](#)

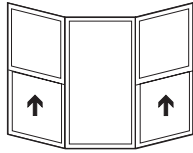
[Energy Packages](#)

[Accessories](#)

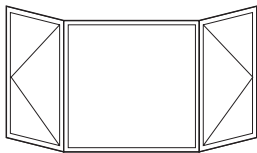
Bay & Bow Window Configurations



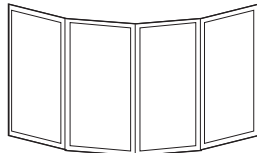
Bay Picture



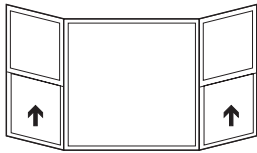
Bow Single Hung
3-segment



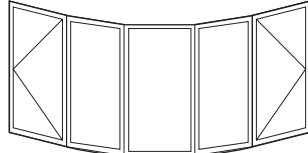
Bay Casement



Bow Picture
4-segment



Bay Single Hung



Bow Casement
5-segment

Minimum/Maximum Sizes

BAY PICTURE

- Min 4⁰¹6 Max 8⁰⁵0

BAY SINGLE-HUNG

- Min 4⁰²6 Max 8⁰⁵0

BAY CASEMENT

- Min 4⁰¹6 Max 8⁰⁵0

BOW 3-SEGMENT

- Picture, Casement Min 5⁰¹6 Max 6⁰⁵0
- Single Hung Min 5⁰²6 Max 6⁰⁵0

BOW 4-SEGMENT

- Picture, Casement Min 6⁰¹6 Max 8⁰⁵0
- Single Hung Min 6⁰²6 Max 8⁰⁵0

BOW 5-SEGMENT

- Picture, Casement Min 8⁰¹6 Max 10⁰⁵0
- Single Hung Min 8⁰²6 Max 10⁰⁵0

Available Frame Styles

A 1-1/4" or 2" pre-punched nail flange extends around the perimeter frame, securing the window in rough openings and acting as a part of the flashing system. Fin setbacks are available in 1-3/8" from outside of frame; also in 1" for our SW locations using 3 coat stucco applications (not available at all locations).

NOTE: For engineering approval contact your Milgard representative for any configuration over 40 square feet. Each Milgard Manufacturing plant reserves the right to alter or change sizes and configurations according to location capabilities. Ask your Milgard rep about specialty applications. Windows over 40 square feet shipped open for field glazing. Varies by location.

Not all frame styles available at all Milgard locations. Contact your Milgard Representative for more information.

Drawings - Quick Links

Bay Window Drawings

128—1-3/8" Fin Setback

129—1" Fin Setback w/Stucco Key

Bow Window Drawings

130—Dimensions

131—1-3/8 inch Fin Setback

132—Southwest 1" Fin Setback

Revit, SketchUp, .PDF and .DWG files can be accessed at
milgard.com/professionals/technical-resources

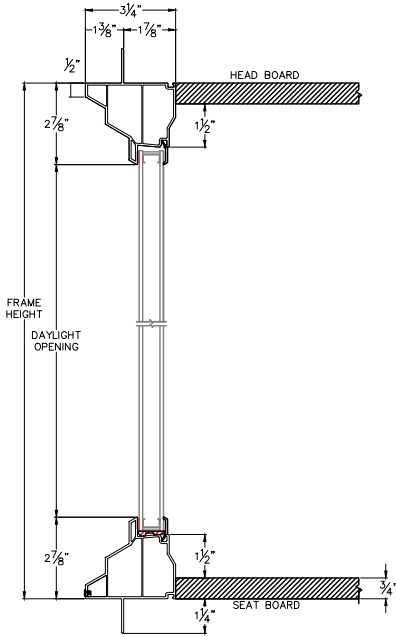
Bay Window Drawings

1-3/8" Fin Setback

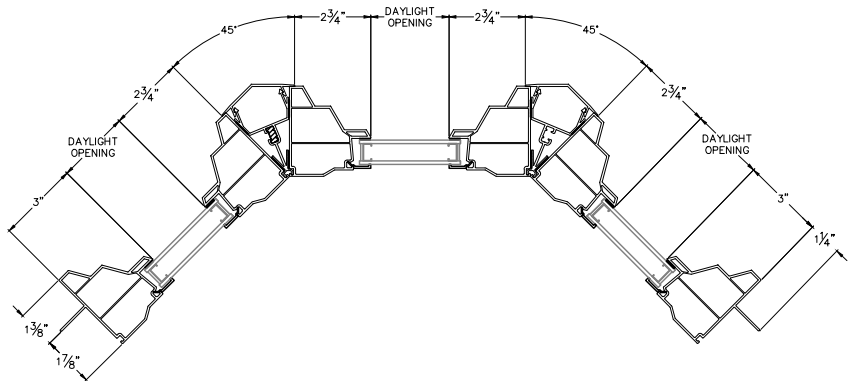
CAD File Scale	View	File Name	Units
NTS	Horizontal & Vertical	Montecito_8000_Bay_1.375in	Inch

More Technical Documents can be found at milgard.com/professionals
Due to continual research and development, details may be changed at any time. ©2013 Milgard Mfg.

BAY WINDOW SERIES 8000



HEAD & SILL



JAMBS

Revit, SketchUp, .PDF and .DWG files can be accessed at
milgard.com/professionals/technical-resources

[Go back to Quick Links](#)

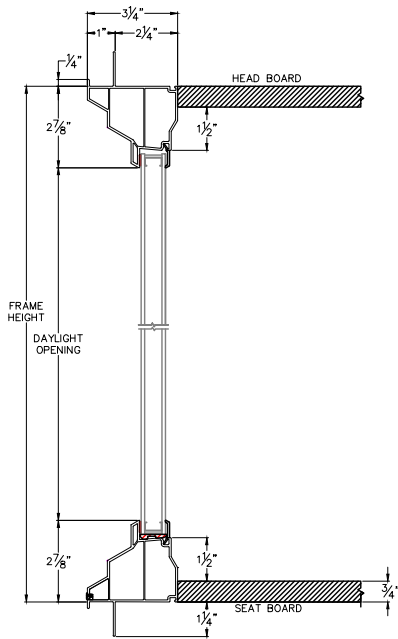
Bay Window Drawings

1" Fin Setback w/Stucco Key

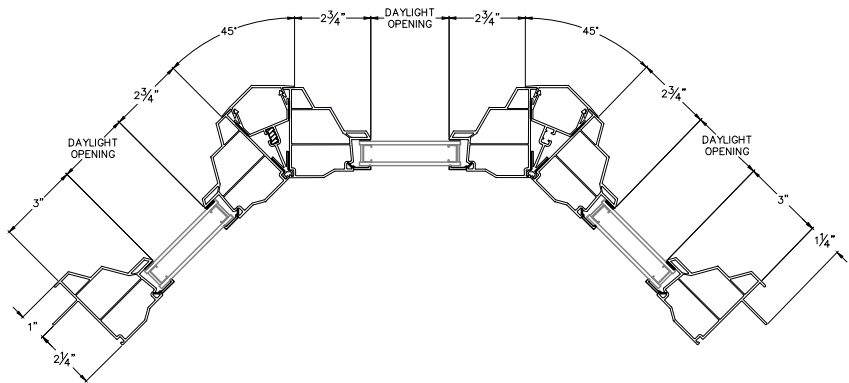
CAD File Scale	View	File Name	Units
NTS	Horizontal & Vertical	Tuscany_8000_Bay_1.in	Inch

More Technical Documents can be found at milgard.com/professionals
Due to continual research and development, details may be changed at any time. ©2013 Milgard Mfg.

BAY WINDOW SERIES 8000



HEAD & SILL



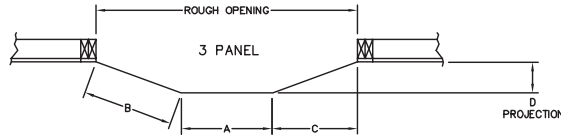
JAMBS

Revit, SketchUp, .PDF and .DWG files can be accessed at
milgard.com/professionals/technical-resources

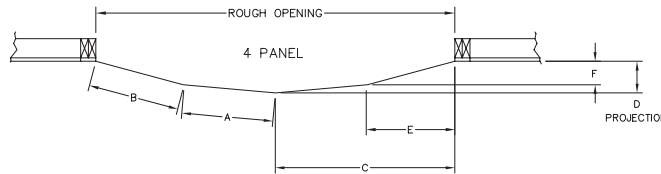
[Go back to Quick Links](#)

Bow Window Drawings

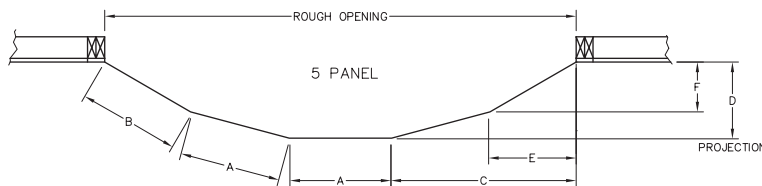
Dimensions



RO WIDTH	A	B	C	D	Panel Width	
					1 3/8"	1"
48"	16 1/4"	16 1/4"	15 7/8"	3 11/16"	15 13/16"	15 3/4"
60"	20 5/16"	20 3/8"	19 13/16"	4 9/16"	19 7/8"	19 13/16"
72"	24 3/8"	24 7/16"	23 13/16"	5 1/2"	23 15/16"	23 7/8"
84"	28 7/16"	28 1/2"	27 3/4"	6 7/16"	28"	27 15/16"



RO WIDTH	A	B	C	D	E	F	Panel Width	
							1 3/8"	1"
72"	18 9/16"	18 5/8"	36"	8 5/16"	17 1/2"	6 3/16"	18 1/8"	18 1/16"
84"	21 11/16"	21 11/16"	42"	9 11/16"	20 7/16"	7 1/4"	21 1/4"	21 3/16"
96"	24 3/4"	24 13/16"	48"	11 1/16"	23 3/8"	8 1/4"	24 5/16"	24 1/4"
108"	27 7/8"	27 7/8"	54"	12 7/16"	26 5/16"	9 5/16"	27 7/16"	27 3/8"
120"	30 15/16"	31"	60"	13 13/16"	29 3/16"	10 5/16"	30 1/2"	30 7/16"



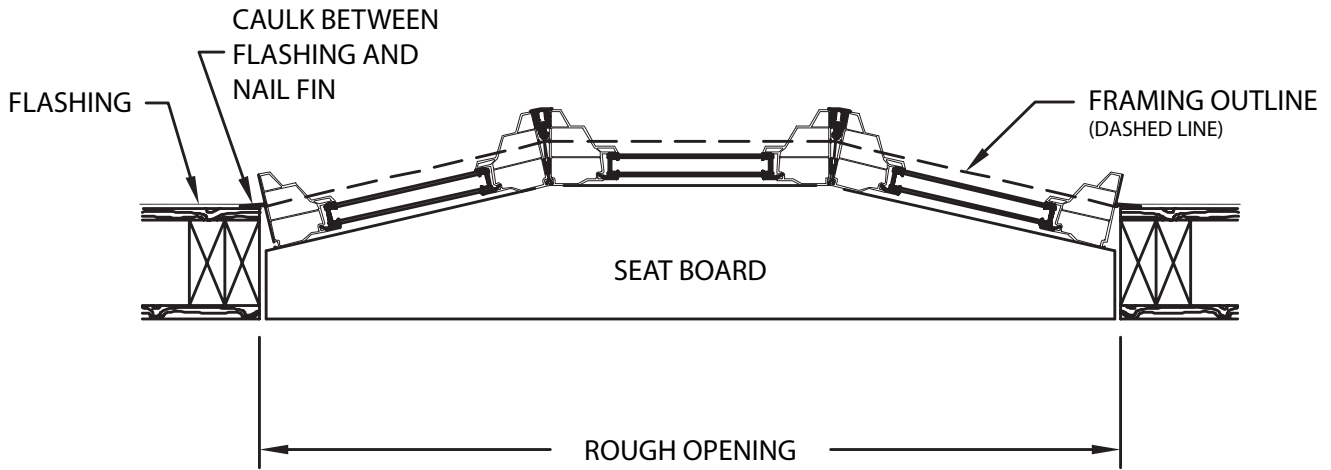
RO WIDTH	A	B	C	D	E	F	Panel Width	
							1 3/8"	1"
96"	20 1/4"	20 1/4"	37 7/8"	13 7/16"	18 3/16"	8 7/8"	19 13/16"	19 3/4"
108"	22 3/4"	22 3/4"	42 5/8"	15 1/8"	20 7/16"	10"	22 5/16"	22 1/4"
120"	25 1/4"	25 5/16"	47 3/8"	16 13/16"	22 3/4"	11 1/8"	24 13/16"	24 3/4"
132"	27 13/16"	27 13/16"	52 1/8"	18 7/16"	25"	12 3/16"	27 3/8"	27 5/16"

Revit, SketchUp, .PDF and .DWG files can be accessed at milgard.com/professionals/technical-resources

[Go back to Quick Links](#)

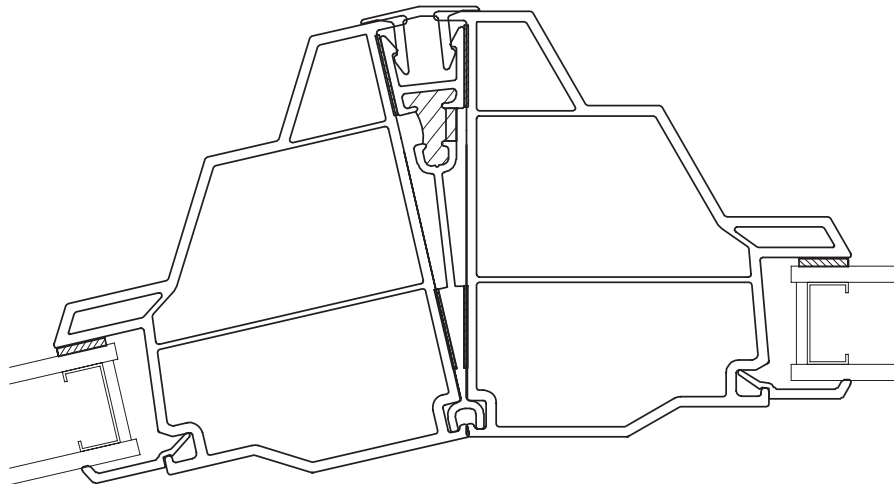
Bow Window Drawings

1-3/8 inch Fin Setback



Note: Mullion angle extrusion may or may not be thermally broken, depending on climate location.

BOW DETAIL

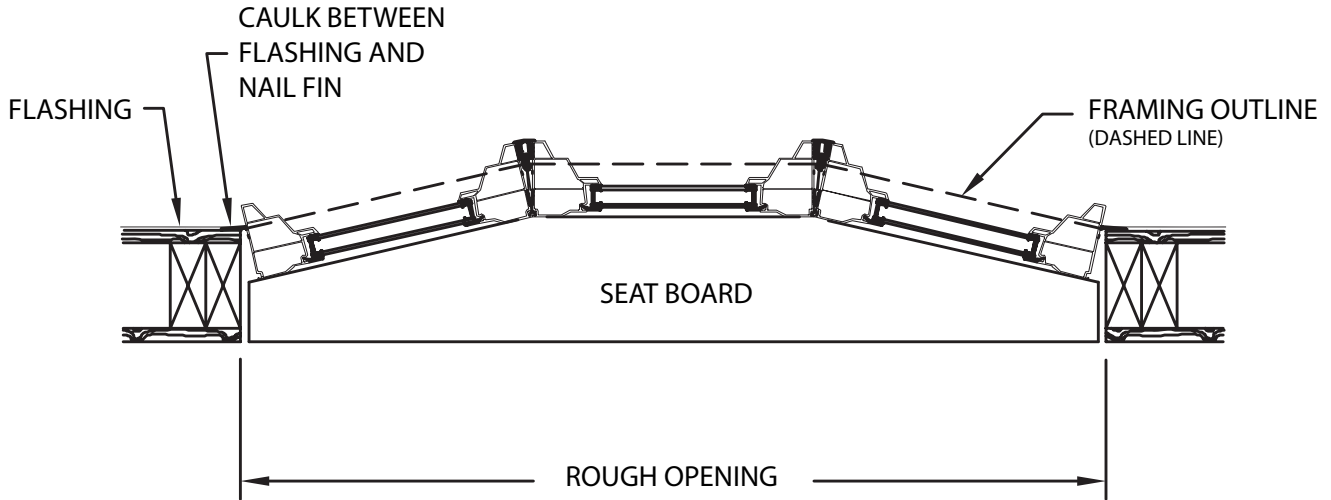


Revit, SketchUp, .PDF and .DWG files can be accessed at
milgard.com/professionals/technical-resources

[Go back to Quick Links](#)

Bow Window Drawings

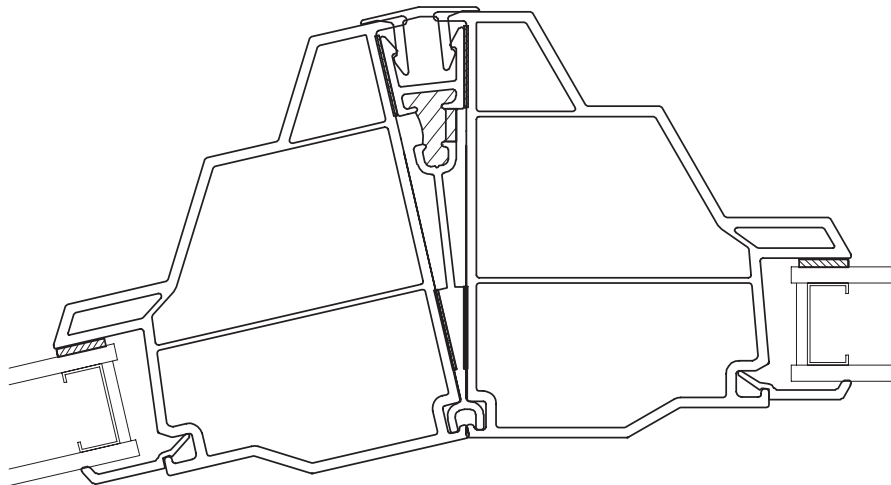
Southwest 1" Fin Setback



Note: 1" Nail fin setback available only in Southwest locations. Confirm availability with your Milgard representative.

Note: Mullion angle extrusion may or may not be thermally broken, depending on climate location.

BOW DETAIL



Revit, SketchUp, .PDF and .DWG files can be accessed at milgard.com/professionals/technical-resources

[Go back to Quick Links](#)

Cable Bay Window



Milgard's unique hanging Cable Bay Window includes 18" or 24" flankers or side windows joined at 45 degrees to a picture window in the center. Flankers are available in picture, single hung or casement windows.

Milgard Cable Bay Windows are available in custom sizes to match almost any design, either new or retrofit.

The Tuscany Series and Montecito Series vinyl windows offer the outstanding insulating properties, low maintenance, and contemporary aesthetic appeal only vinyl can provide. Available in white, tan, and clay (select regions), as well as premium painted exteriors. The windows will maintain their color and shape and can be constructed to your exact size specifications, subject to engineering review.

Please also see:

[Window Hardware](#)

[Premium Exterior Vinyl Finishes](#)

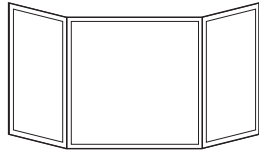
[Full Lifetime Warranty](#)

[Energy Packages](#)

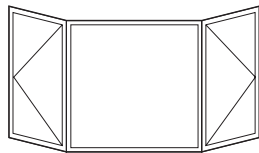
[Accessories](#)

Cable Bay Window

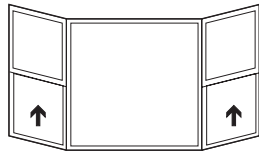
Configurations



Bay Picture



Bay Casement



Bay Single Hung

NOTE: For engineering approval contact your Milgard representative for any configuration over 40 square feet. Each Milgard Manufacturing plant reserves the right to alter or change sizes and configurations according to location capabilities. Ask your Milgard rep about specialty applications. Windows over 40 square feet shipped open for field glazing. Varies by location.

Not all frame styles available at all Milgard locations. Contact your Milgard Representative for more information.

Minimum/Maximum Sizes

BAY PICTURE

– Min 4⁰¹6 Max 8⁰⁵0

BAY SINGLE-HUNG

– Min 4⁰¹6 Max 8⁰⁵0

BAY CASEMENT

(refer to casement/awning section for maximum vent size)

– Min 4⁰¹6 Max 8⁰⁵0

Available Frame Styles

8000 series: with single-hung flankers

8000 series: with picture window flankers

8000 series: with casement flankers

A 1-1/4" pre-punched nail flange extends around the perimeter frame, securing the window in rough openings and acting as flashing. Fin setbacks are available in 1-3/8" from outside of frame; also in 1" for our SW locations using 3 coat stucco applications (not available at all locations).

Cable

High tensile-strength steel aviation cable is used for maximum strength and longevity.

Seat Boards

Available in PVC or PVC/Oak.

Drawings - Quick Links

Support System Installation Guide

Cable Bay Window Drawings

139—Bay Framing Detail

140—IMR 8120 Half Vent Below

141—IMR 8220 Double Single Hung

142—IMR 8220 Single Hung Below

143—IMR 8225 Double Double Hung

144—IMR 8420 Awning Below

145—IMR 8420 Double Awning

146—IMR 8520 Casement Below

147—IMR 8520 Double Casement

148—IMR 8520 Single Casement

149—MULL 8120 8120

150—MULL 8120 8320

151—MULL 8125 8125

152—MULL 8125 8320

153—MULL 8125 8340

154—MULL 8140 8140

155—MULL 8140 8340

156—MULL 8225 8225

157—MULL 8225 8320

158—MULL 8225 8340

159—MULL 8320 8320

160—MULL 8340 8340

161—MULL 8420 8320

162—MULL 8420 8420

163—MULL 8440 8340

164—MULL 8440 8440

165—TDL 8120 Half Vent

166—TDL 8220 Picture Window

Revit, SketchUp, .PDF and .DWG files can be accessed at
milgard.com/professionals/technical-resources

Cable Bay Support System Installation Guide Straight Line Clamp # 10 - 7507

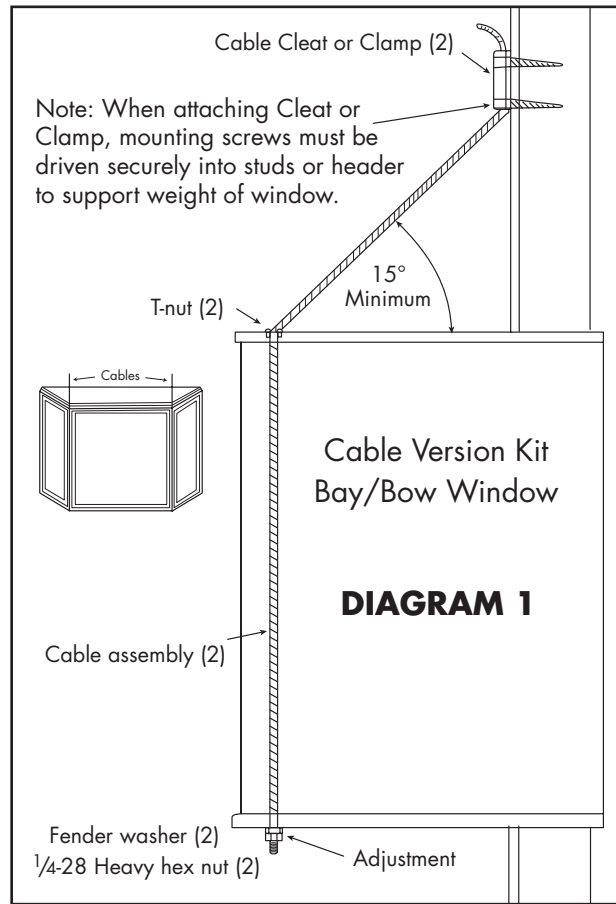
(WARNING) Wear safety goggles when performing any of the following steps.

CABLE VERSION KITS:

1. Thread cables through window before positioning into rough opening. Install fender washers and one nut into each cable stud. (Run nuts 1 inch into stud.)
2. Provide temporary support while window is being installed (jacks, bracing, etc.). Support window unit slightly above level.
3. A solid structural mounting surface is required for mounting the cable Cleats and Clamps to the outer wall. Remove any fiberboard or foam sheathing before attaching the Cleats or Clamps.
4. To support window weight, Cleat or Clamp mounting screws must be driven securely into studs, headers or rafters.
5. When attaching Cleats or Clamps to outer wall, the mounting location of the Cleats or Clamps must ensure a minimum of 15 degrees of cable angle. (See Diagram 1)
6. When mounting Cleats or Clamps to soffit, add cross studs to ensure proper alignment to up-running cables. (See Diagram 2)
7. Follow cable lacing or clamping instructions. (See Diagram 4 or 5)
8. After both cables are secure, adjust cable tension by turning the 1/4 - 28 nuts on cable studs.
Note: To keep cable studs from turning, a screwdriver slot is located on the end of stud.
9. After cables are snug and window is secured to the rough opening, slowly remove the temporary bracing. (Warning) Use extreme caution when removing bracing.
10. After making final adjustments, install the extra nuts on studs and jam lock to the adjusting nuts. This completes cable installation.

Tools Needed for Installation:

- (1) Protective eyewear (per person)
- (1) Cordless drill, 14-18 volt
- (1) #3 Phillips drive bit (provided)
- (1) 7/16 offset wrench (provided)
- (1) Standard screwdriver



Lo-Profile Cleat Lacing Instructions

1. Mount cleat to a selected location, using the wood screws provided.
2. Pull the cable up tight from the window.
3. Holding the cable secure, lace through the cleat, from the bottom up and around the cleat's fingers. (Diagram 4A)
4. After lacing, run cable around upper lug and through cross-hole at the top of cleat. (Diagram 4B)
5. Pull cable up tight through cross-hole to lock cable secure.

Note: When mounting to wall studs, adjust Cleat or Clamp so mounting screws are on center of stud.

DIAGRAM 4

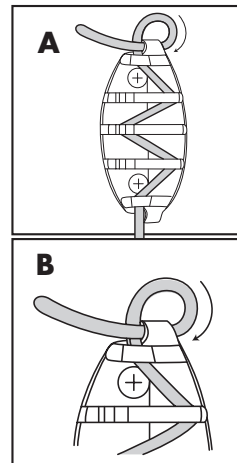
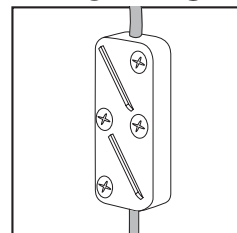
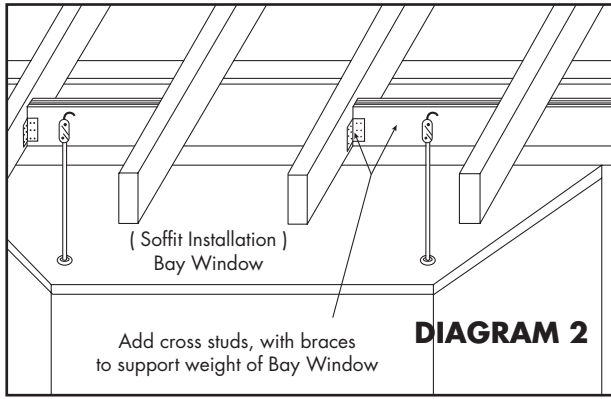


DIAGRAM 5

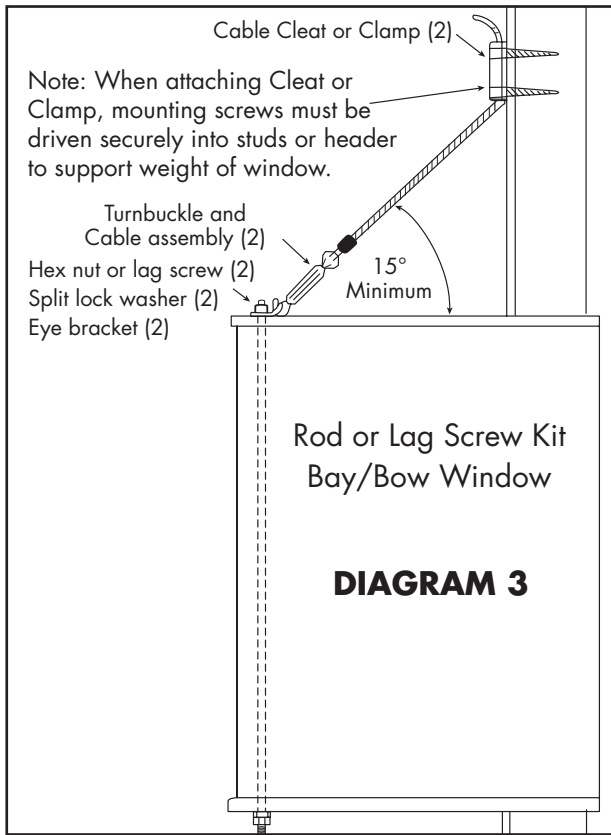


[Go back to Quick Links](#)



Straight Line Clamp Install Instructions

1. Select the mounting location.
2. Holding the clamp parallel to the up-running cable, run the #12 x 3" wood screws part way into the mounting surface. (Note: Make sure to use #3 Phillips drive bit.)
3. Run the cable from the bottom, up and through the Straight Line Cable Clamp.
4. Holding the cable up tight, above the clamp, run the two center clamp screws all the way in to lock the cable in place. (Diagram 5)
5. Set your cordless drill to "max" to complete the installation. Drive in the two #12 x 3" wood screws all the way, then go back and re-torque the two center clamp screws. Note: Make sure all 4 screws are run in to max torque.

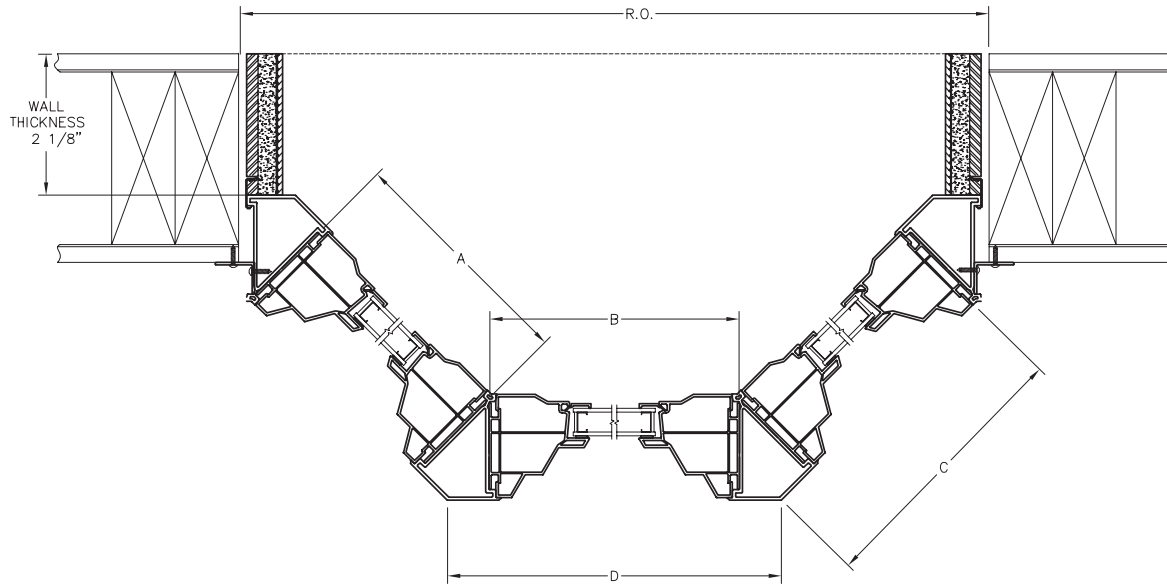


Revit, SketchUp, .PDF and .DWG files can be accessed at milgard.com/professionals/technical-resources

[Go back to Quick Links](#)

Cable Bay Window Drawings

Bay Framing Detail



18" FLANKERS
PROJECTION = 14 9/16"
AWW CENTER = R.O. - 29 13/16"

RO	A	B	C	D
48	17 1/2"	18 3/8"	18 7/8"	20 13/16"
60	17 1/2"	30 3/8"	18 7/8"	32 1/8"
72	17 1/2"	42 3/8"	18 7/8"	44 1/8"
84	17 1/2"	54 3/8"	18 7/8"	56 1/8"
96	17 1/2"	66 3/8"	18 7/8"	68 1/8"
108	17 1/2"	78 3/8"	18 7/8"	80 1/8"

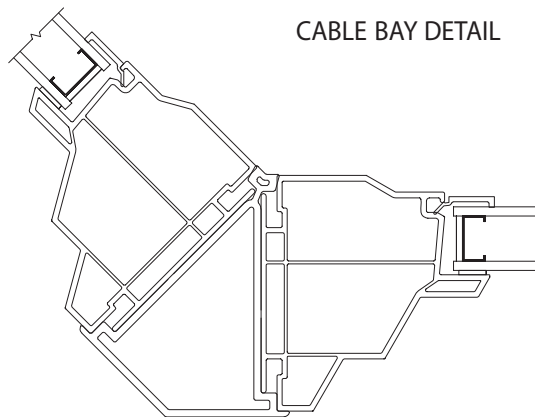
24" FLANKERS
PROJECTION = 18 13/16"
AWW CENTER = R.O. - 38 5/16"

RO	A	B	C	D
48	NA	NA	NA	NA
60	23 1/2"	21 1/8"	24 7/8"	24 7/8"
72	23 1/2"	33 1/8"	24 7/8"	36 7/8"
84	23 1/2"	45 1/8"	24 7/8"	48 7/8"
96	23 1/2"	57 1/8"	24 7/8"	60 7/8"
108	23 1/2"	69 1/8"	24 7/8"	72 7/8"

30" FLANKERS
PROJECTION = 23 1/16"
AWW CENTER = R.O. - 46 13/16"

RO	A	B	C	D
48	NA	NA	NA	NA
60	29 1/2"	13 3/8"	30 7/8"	15 1/8"
72	29 1/2"	25 3/8"	30 7/8"	27 1/8"
84	29 1/2"	37 3/8"	30 7/8"	39 1/8"
96	29 1/2"	49 3/8"	30 7/8"	51 1/8"
108	29 1/2"	61 3/8"	30 7/8"	63 1/8"

CABLE BAY DETAIL

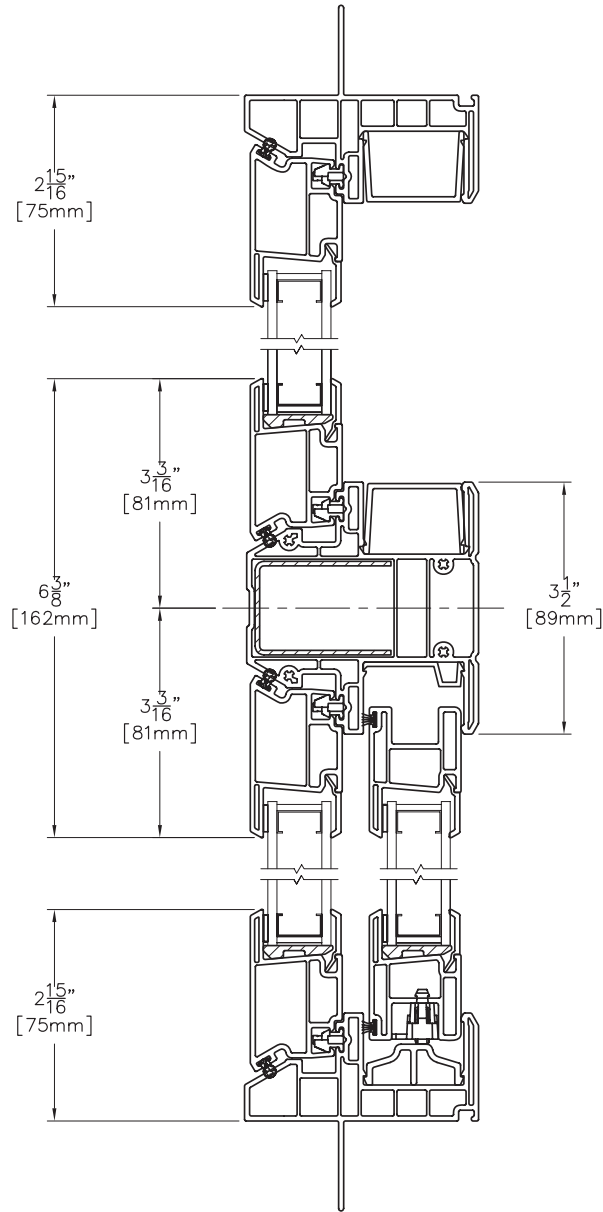


Revit, SketchUp, .PDF and .DWG files can be accessed at
milgard.com/professionals/technical-resources

[Go back to Quick Links](#)

Cable Bay Window Drawings

IMR 8120 Half Vent Below

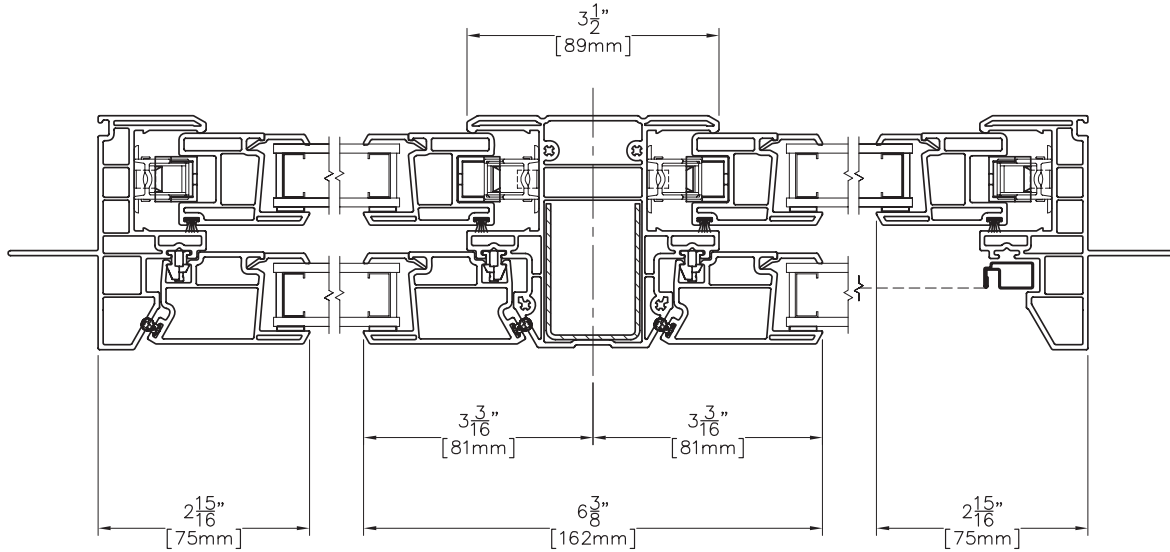


Revit, SketchUp, .PDF and .DWG files can be accessed at
milgard.com/professionals/technical-resources

[Go back to Quick Links](#)

Cable Bay Window Drawings

IMR 8220 Double Single Hung

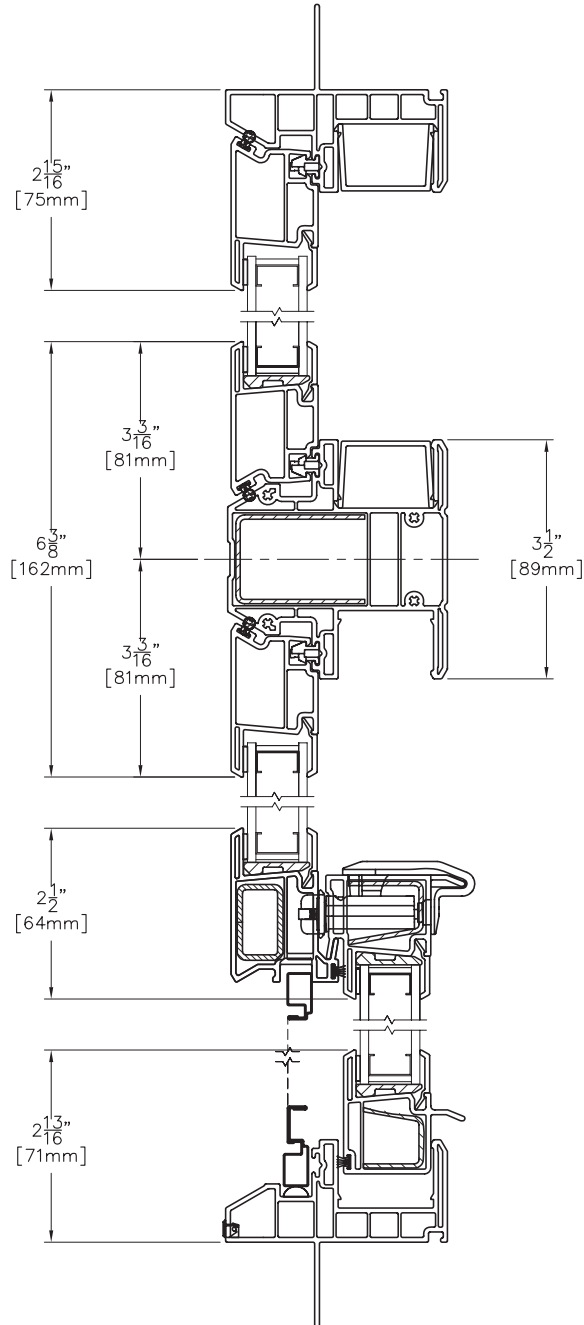


Revit, SketchUp, .PDF and .DWG files can be accessed at milgard.com/professionals/technical-resources

[Go back to Quick Links](#)

Cable Bay Window Drawings

IMR 8220 Single Hung Below

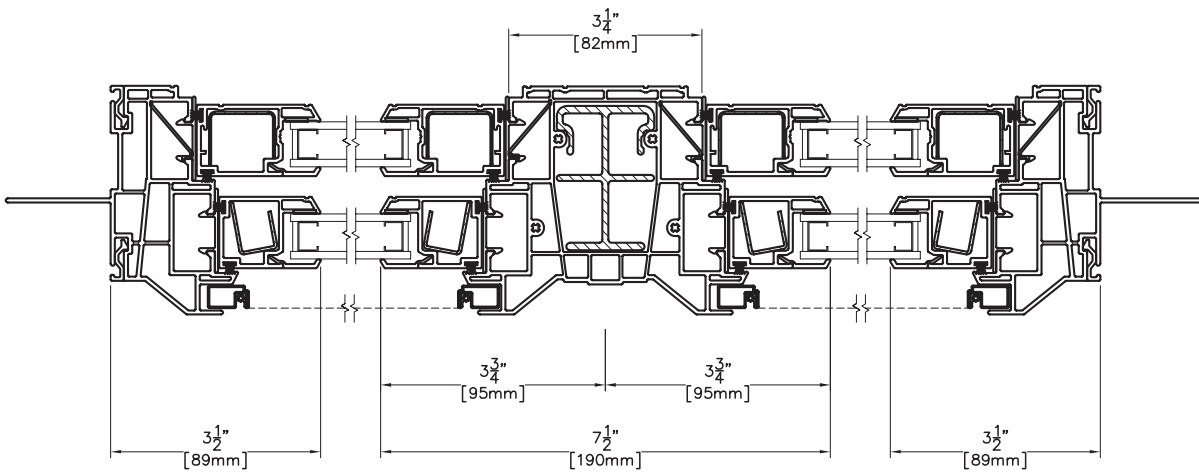


Revit, SketchUp, .PDF and .DWG files can be accessed at
milgard.com/professionals/technical-resources

[Go back to Quick Links](#)

Cable Bay Window Drawings

IMR 8225 Double Double Hung

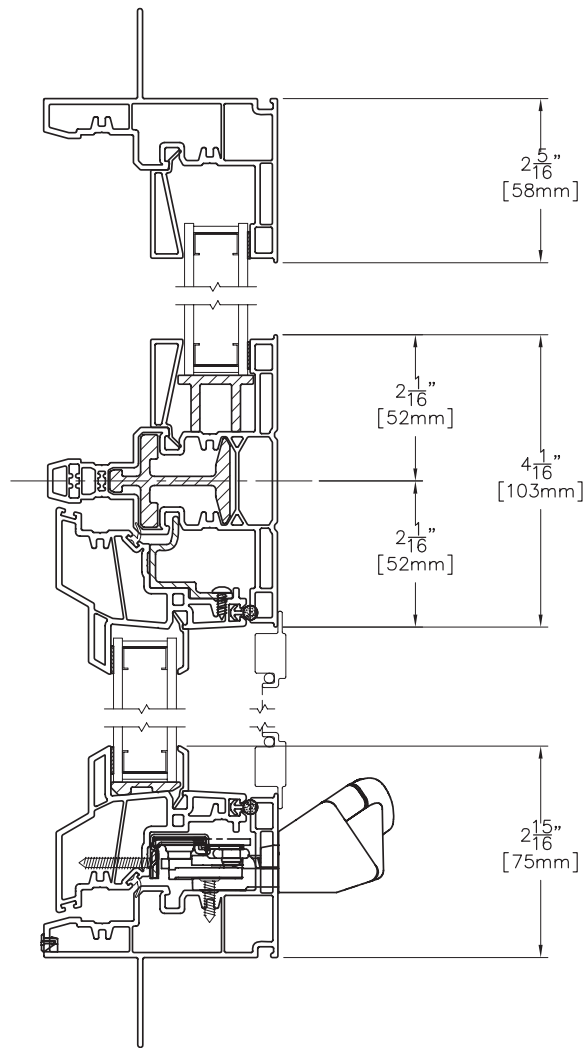


Revit, SketchUp, .PDF and .DWG files can be accessed at milgard.com/professionals/technical-resources

[Go back to Quick Links](#)

Cable Bay Window Drawings

IMR 8420 Awning Below

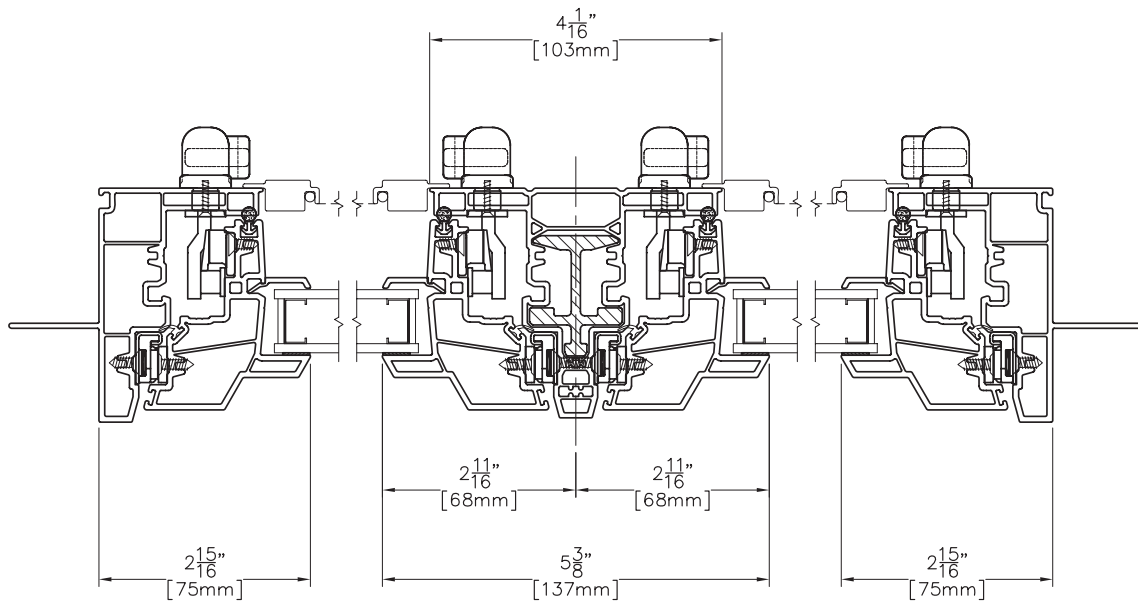


Revit, SketchUp, .PDF and .DWG files can be accessed at
milgard.com/professionals/technical-resources

[Go back to Quick Links](#)

Cable Bay Window Drawings

IMR 8420 Double Awning

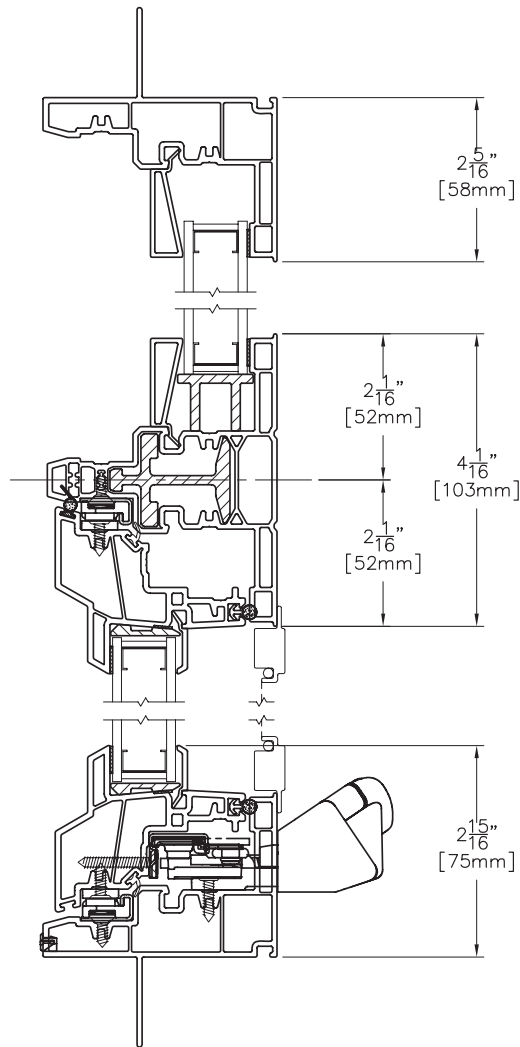


Revit, SketchUp, .PDF and .DWG files can be accessed at milgard.com/professionals/technical-resources

[Go back to Quick Links](#)

Cable Bay Window Drawings

IMR 8520 Casement Below

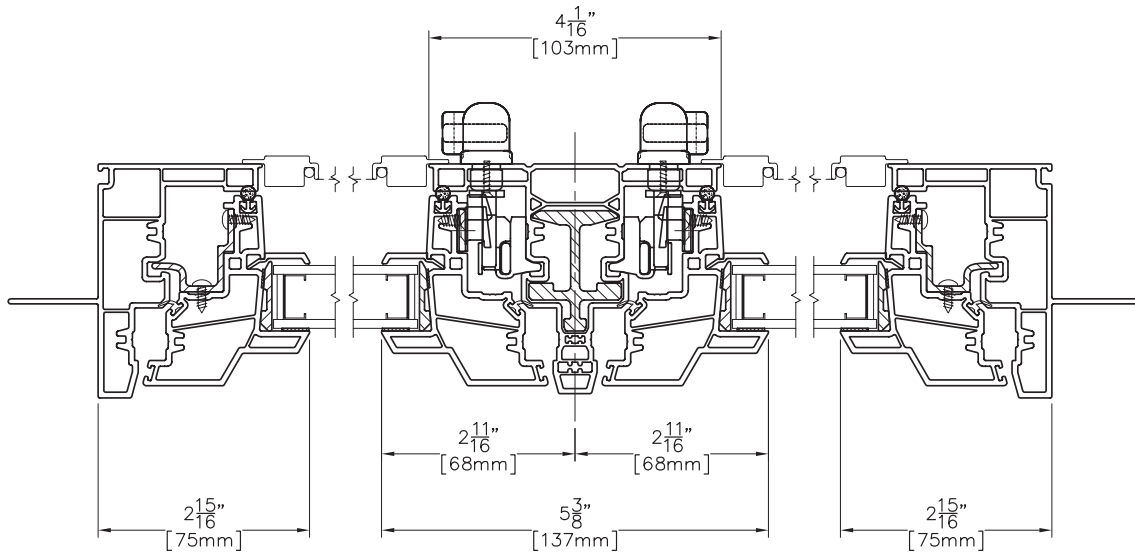


Revit, SketchUp, .PDF and .DWG files can be accessed at
milgard.com/professionals/technical-resources

[Go back to Quick Links](#)

Cable Bay Window Drawings

IMR 8520 Double Casement

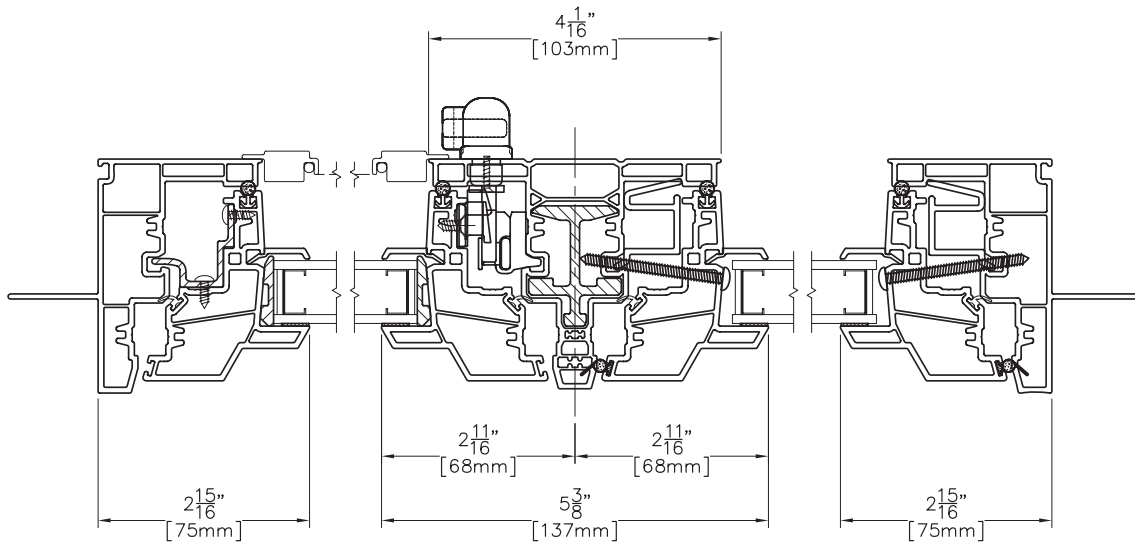


Revit, SketchUp, .PDF and .DWG files can be accessed at milgard.com/professionals/technical-resources

[Go back to Quick Links](#)

Cable Bay Window Drawings

IMR 8520 Single Casement

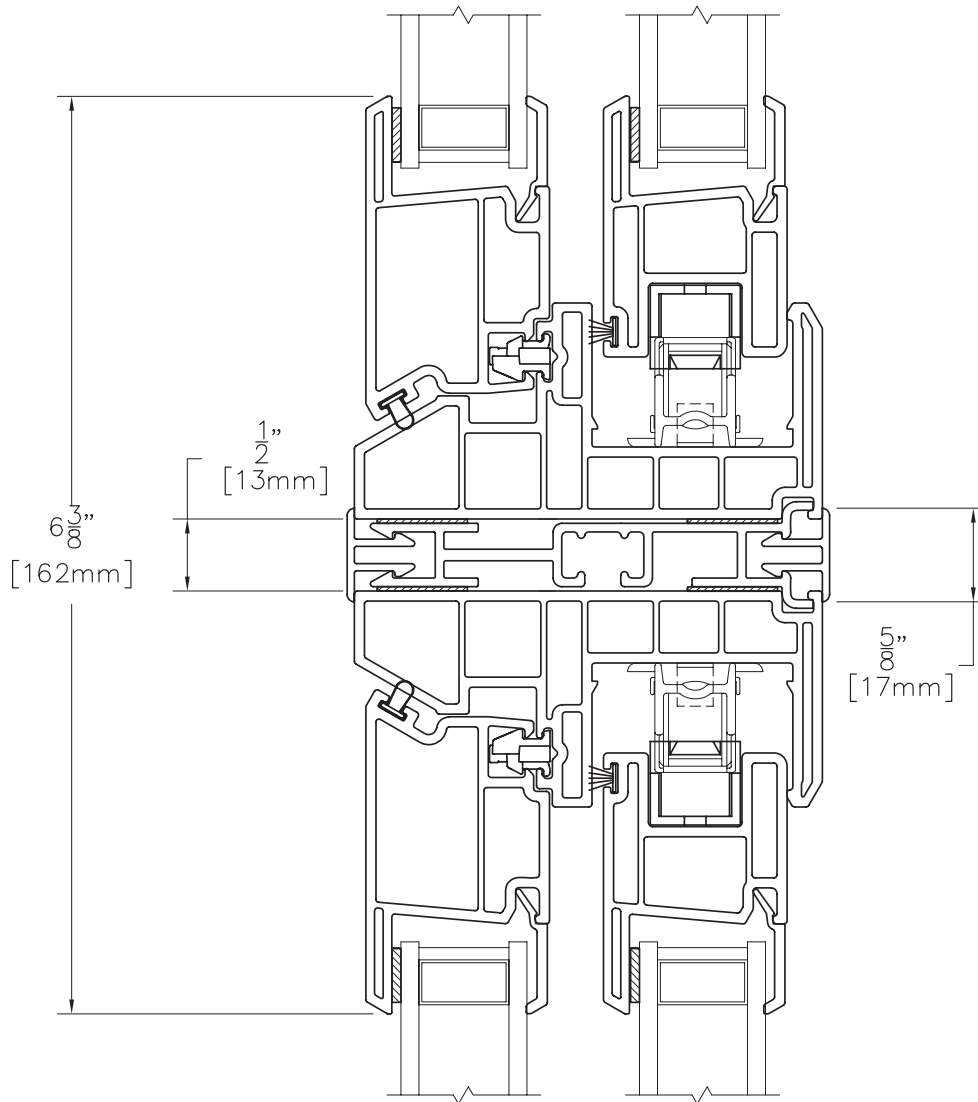


Revit, SketchUp, .PDF and .DWG files can be accessed at
milgard.com/professionals/technical-resources

[Go back to Quick Links](#)

Cable Bay Window Drawings

MULL 8120 8120

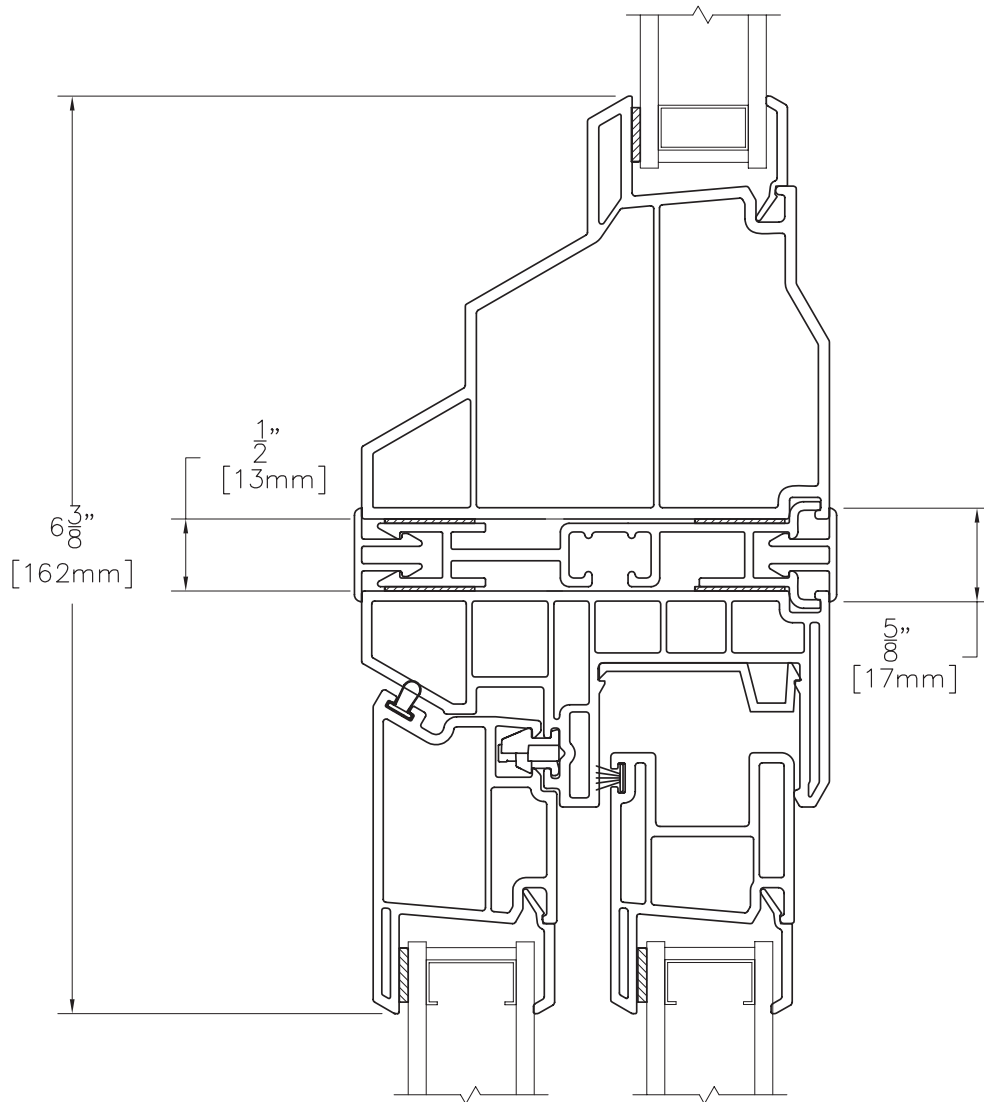


Revit, SketchUp, .PDF and .DWG files can be accessed at
milgard.com/professionals/technical-resources

[Go back to Quick Links](#)

Cable Bay Window Drawings

MULL 8120 8320

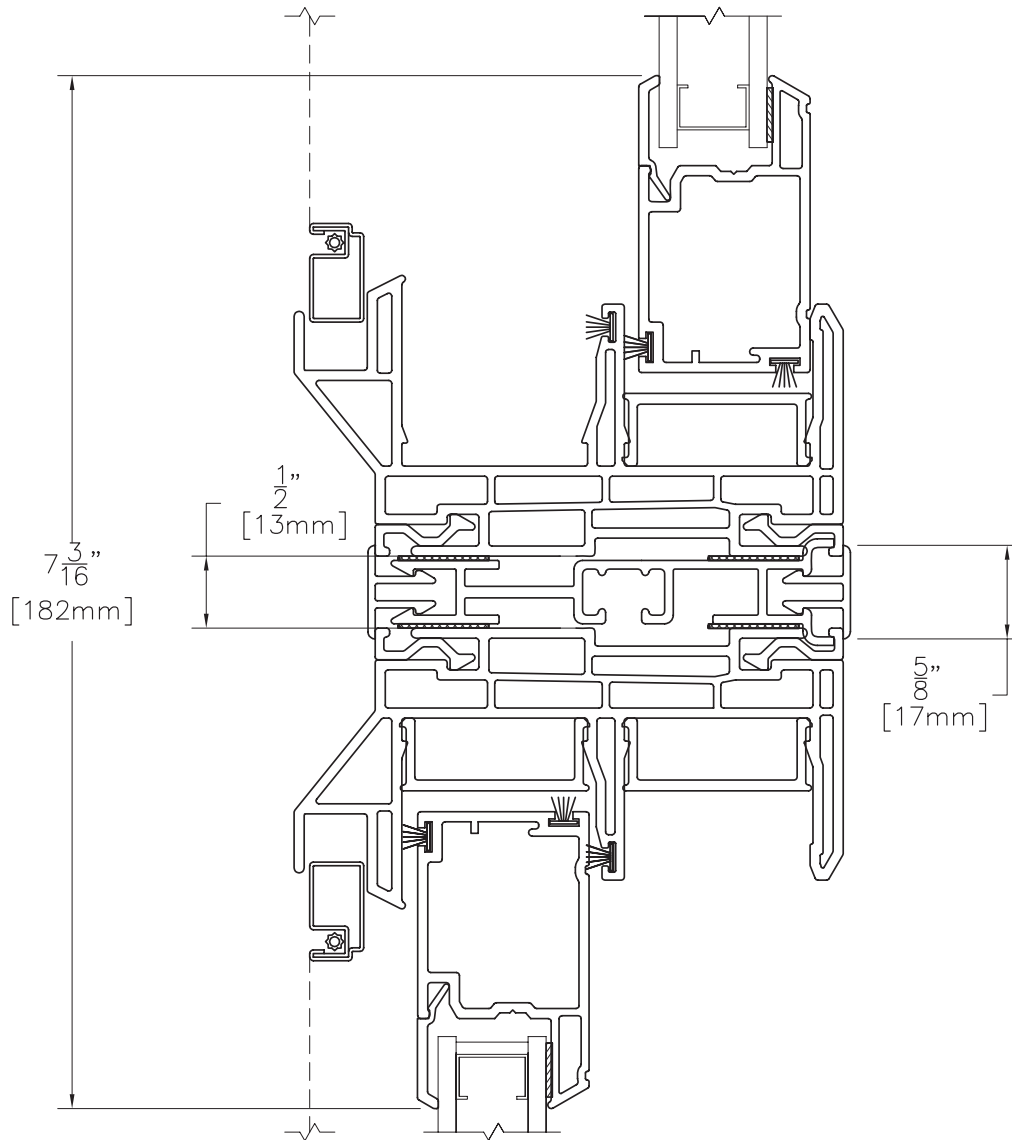


Revit, SketchUp, .PDF and .DWG files can be accessed at
milgard.com/professionals/technical-resources

[Go back to Quick Links](#)

Cable Bay Window Drawings

MULL 8125 8125

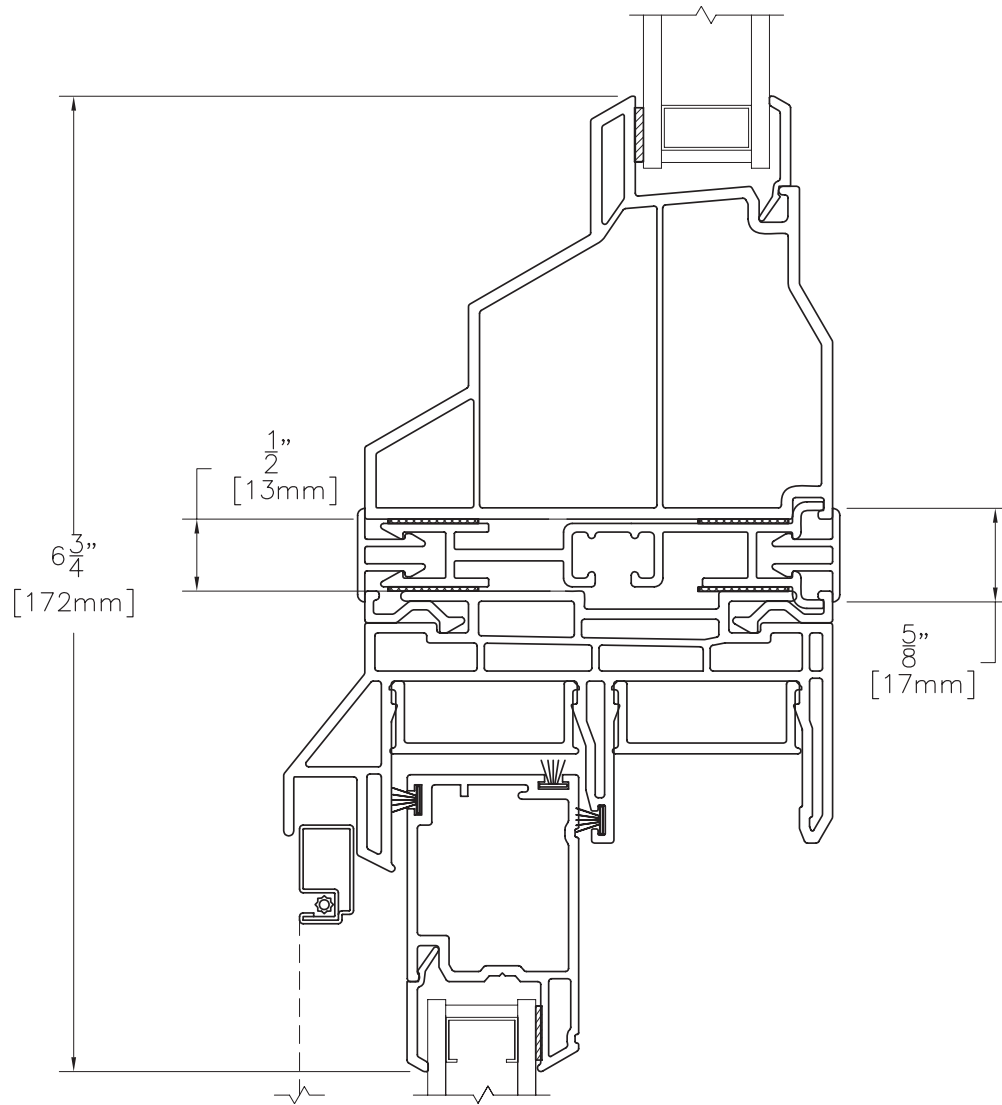


Revit, SketchUp, .PDF and .DWG files can be accessed at milgard.com/professionals/technical-resources

[Go back to Quick Links](#)

Cable Bay Window Drawings

MULL 8125 8320

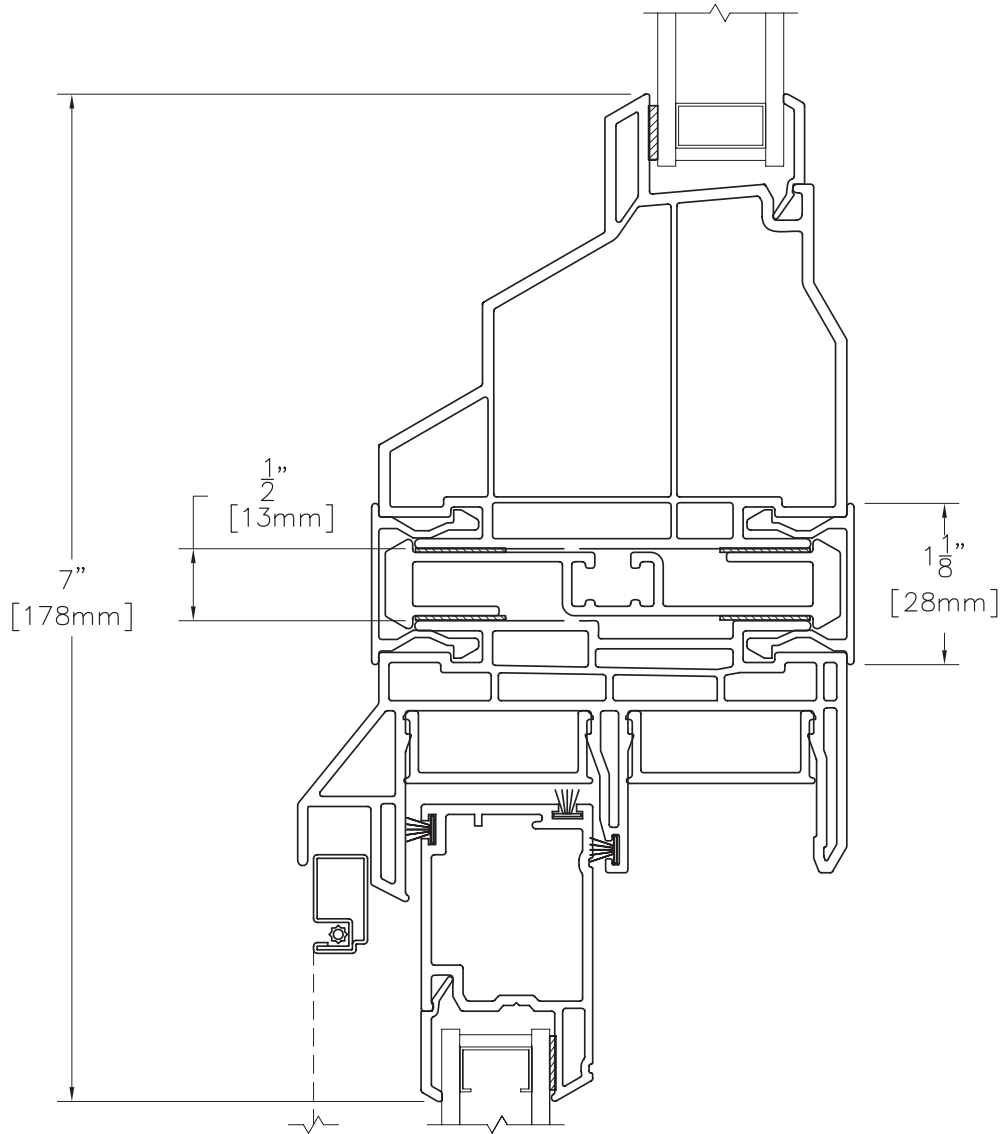


Revit, SketchUp, .PDF and .DWG files can be accessed at
milgard.com/professionals/technical-resources

[Go back to Quick Links](#)

Cable Bay Window Drawings

MULL 8125 8340

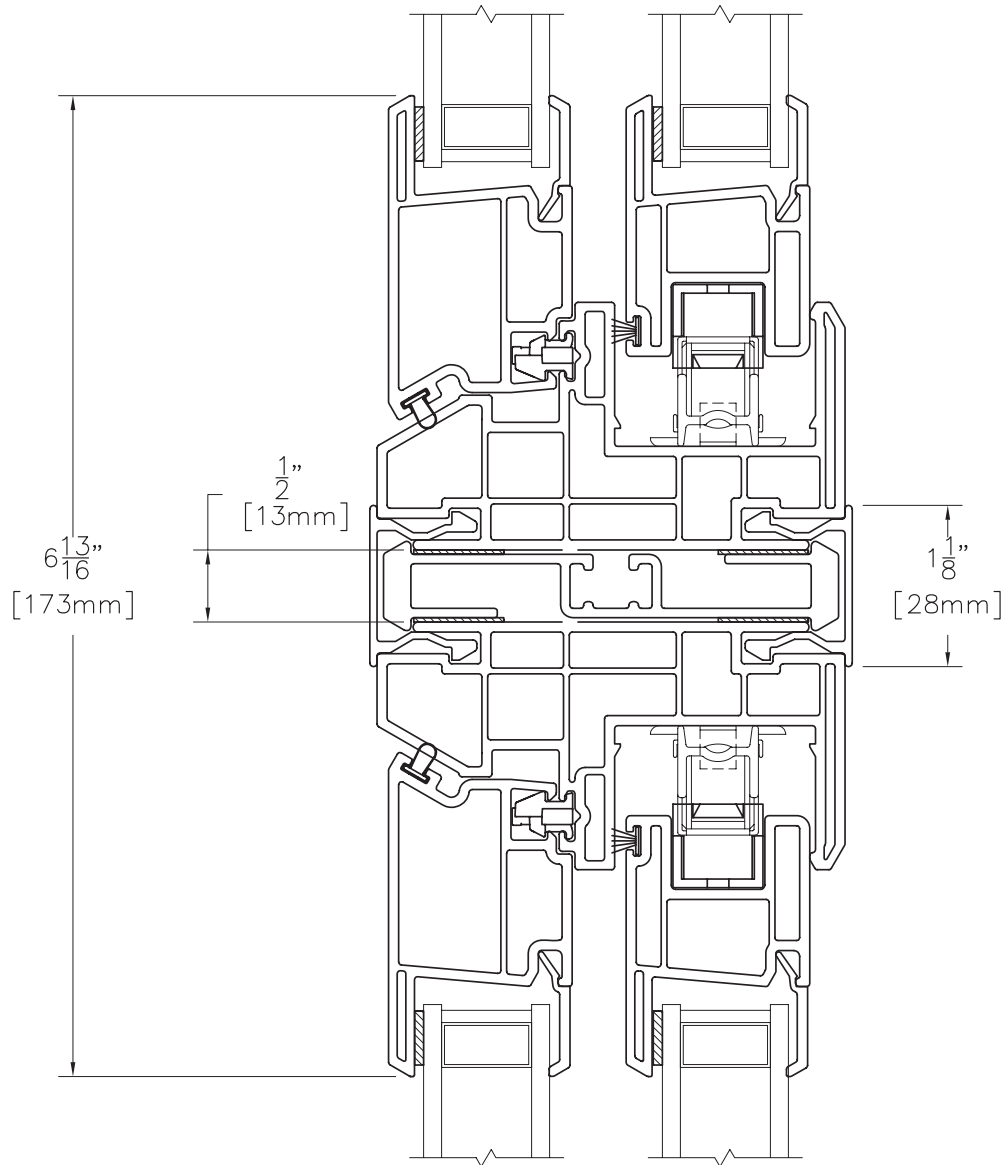


Revit, SketchUp, .PDF and .DWG files can be accessed at
milgard.com/professionals/technical-resources

[Go back to Quick Links](#)

Cable Bay Window Drawings

MULL 8140 8140

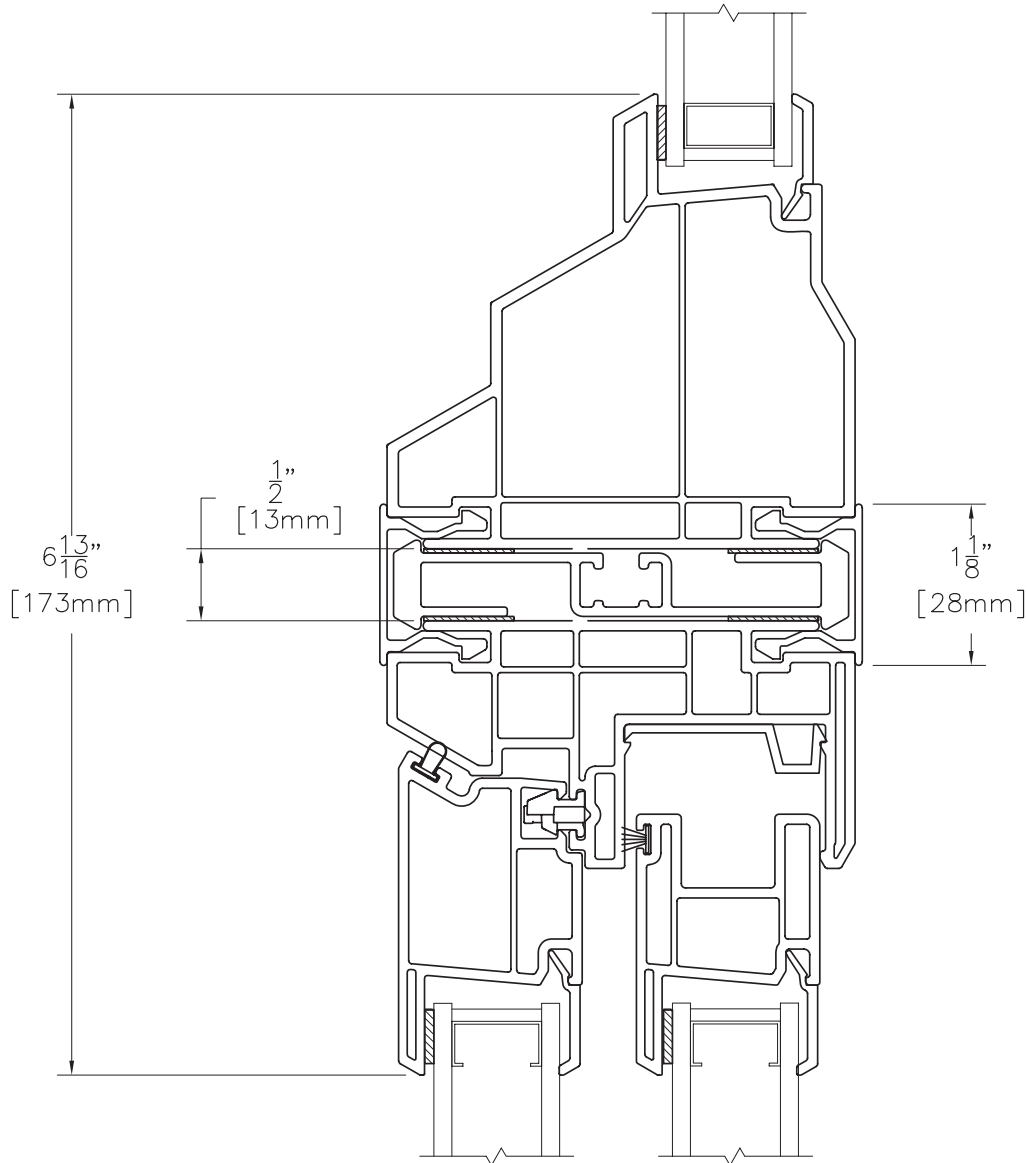


Revit, SketchUp, .PDF and .DWG files can be accessed at milgard.com/professionals/technical-resources

[Go back to Quick Links](#)

Cable Bay Window Drawings

MULL 8140 8340

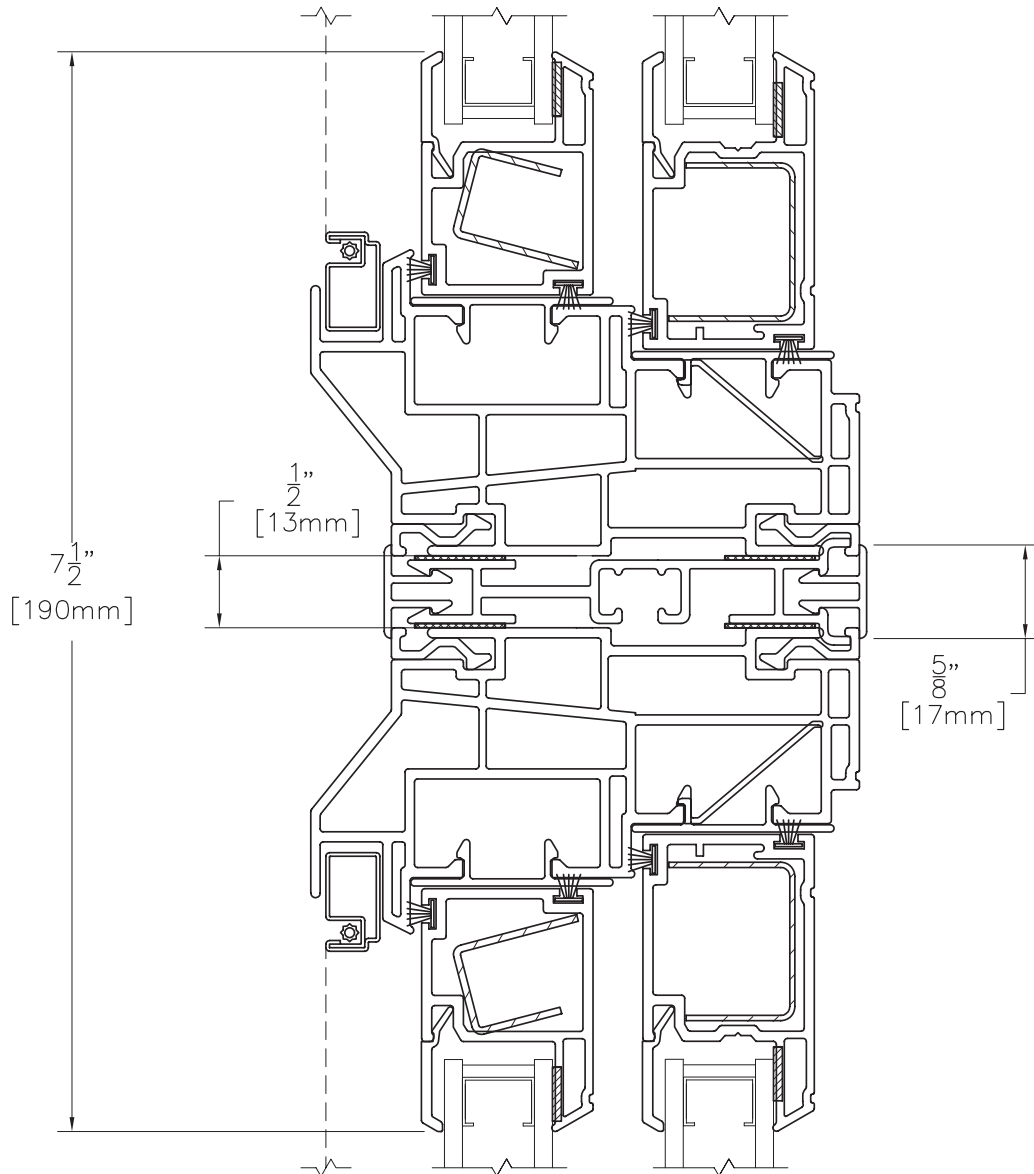


Revit, SketchUp, .PDF and .DWG files can be accessed at milgard.com/professionals/technical-resources

[Go back to Quick Links](#)

Cable Bay Window Drawings

MULL 8225 8225

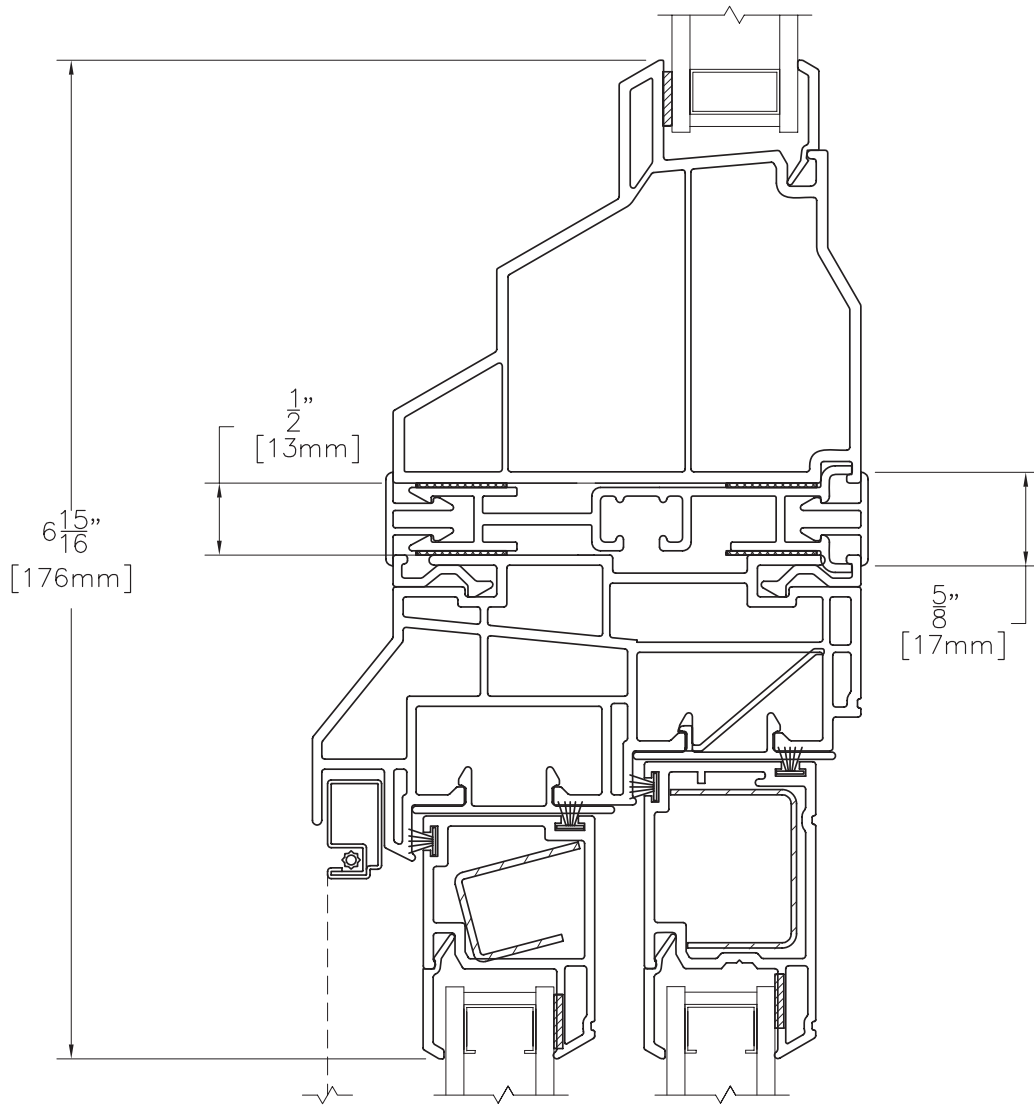


Revit, SketchUp, .PDF and .DWG files can be accessed at milgard.com/professionals/technical-resources

[Go back to Quick Links](#)

Cable Bay Window Drawings

MULL 8225 8320

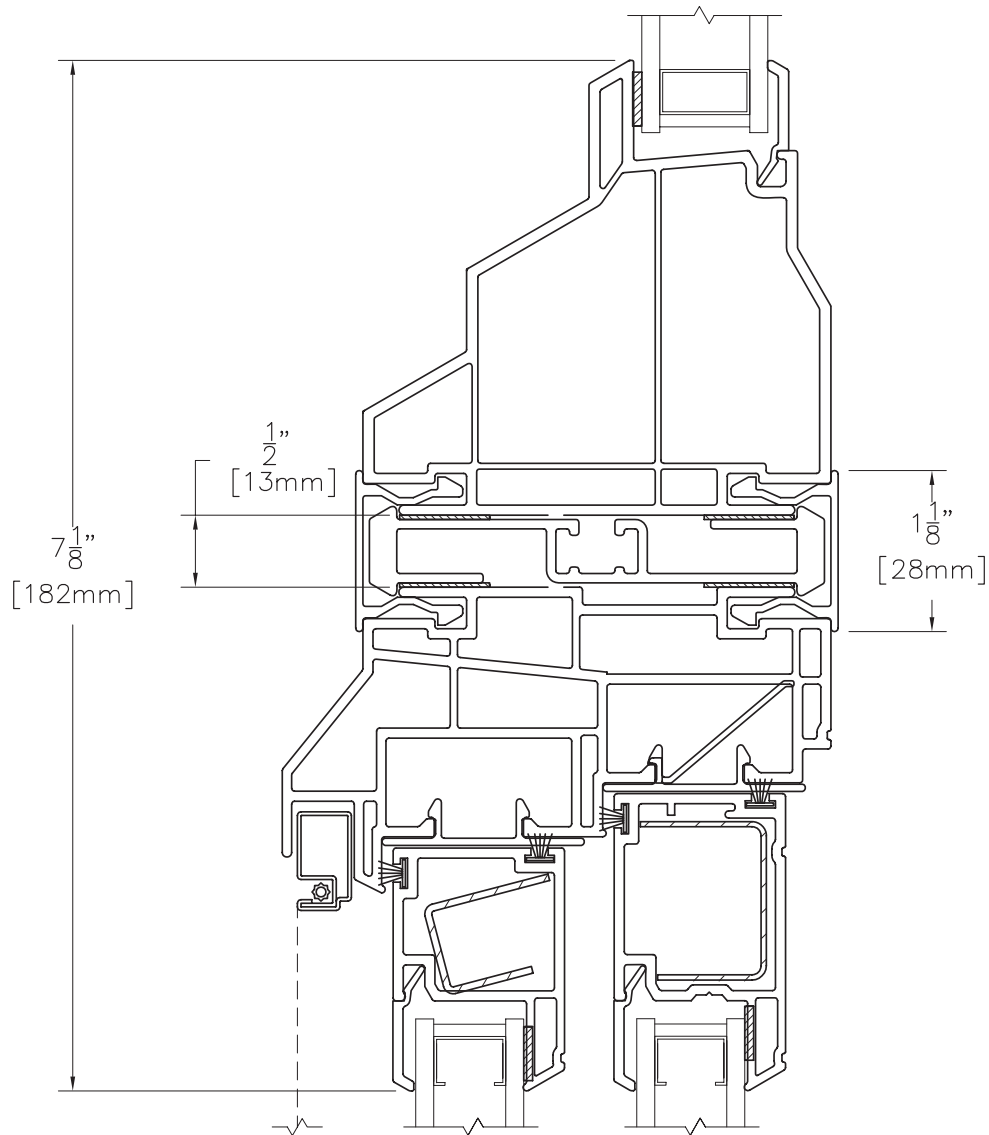


Revit, SketchUp, .PDF and .DWG files can be accessed at milgard.com/professionals/technical-resources

[Go back to Quick Links](#)

Cable Bay Window Drawings

MULL 8225 8340

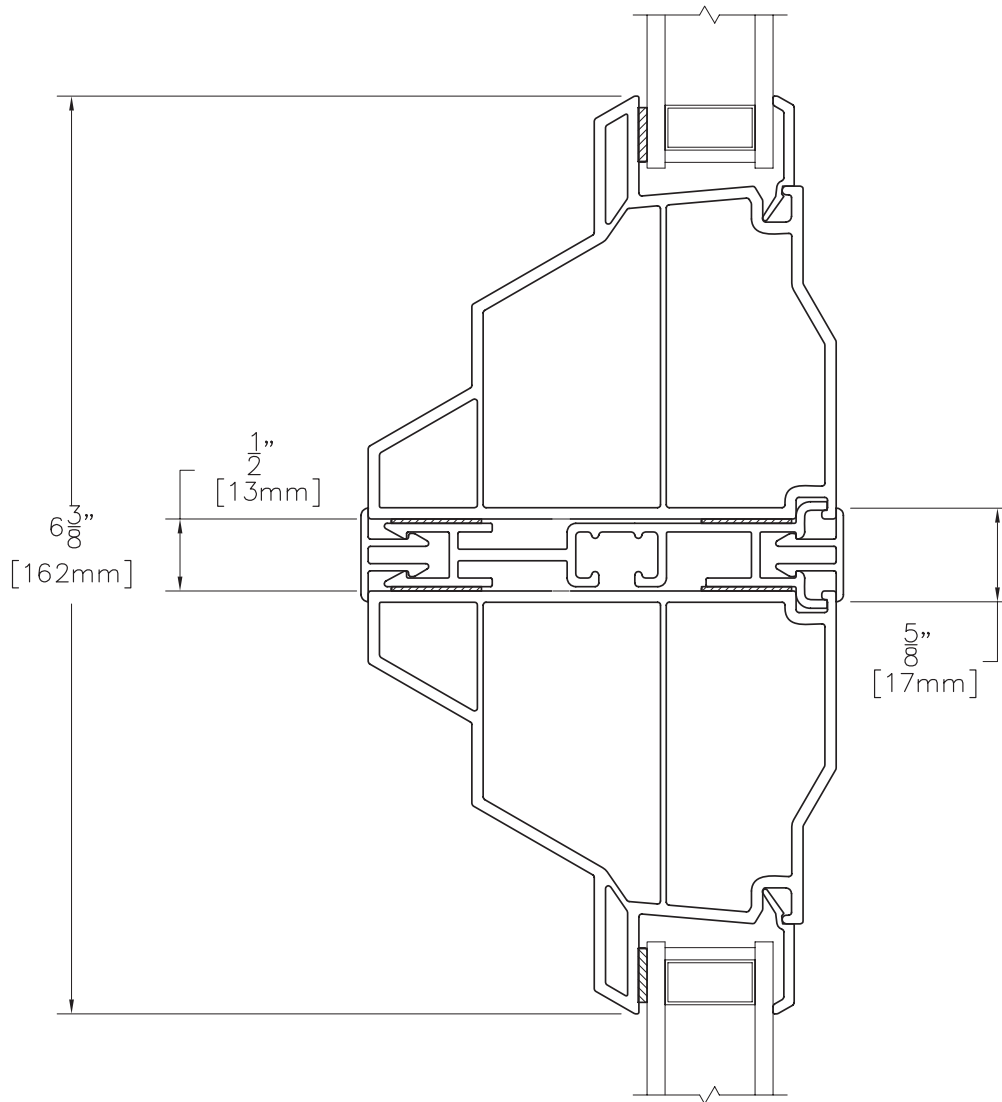


Revit, SketchUp, .PDF and .DWG files can be accessed at
milgard.com/professionals/technical-resources

[Go back to Quick Links](#)

Cable Bay Window Drawings

MULL 8320 8320

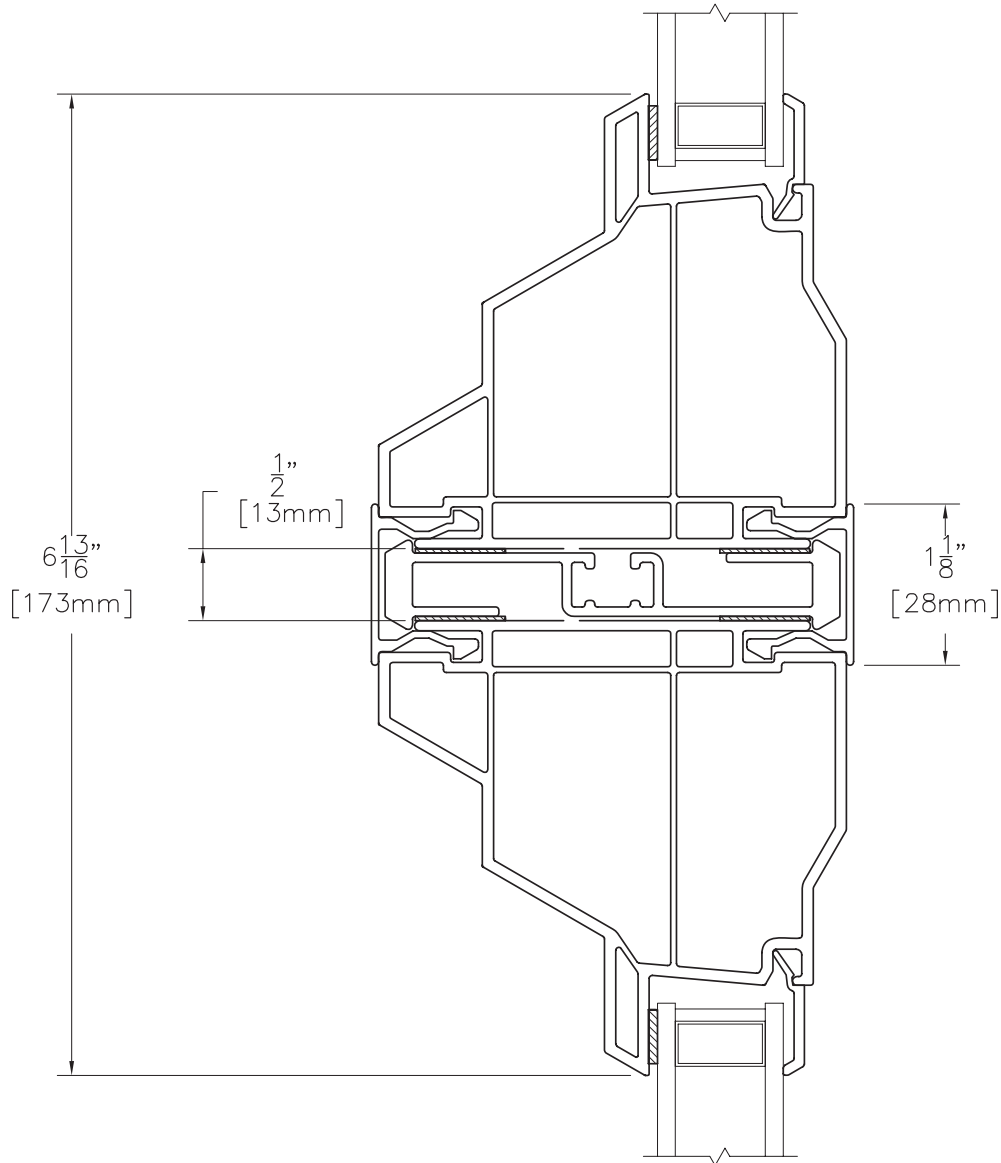


Revit, SketchUp, .PDF and .DWG files can be accessed at
milgard.com/professionals/technical-resources

[Go back to Quick Links](#)

Cable Bay Window Drawings

MULL 8340 8340

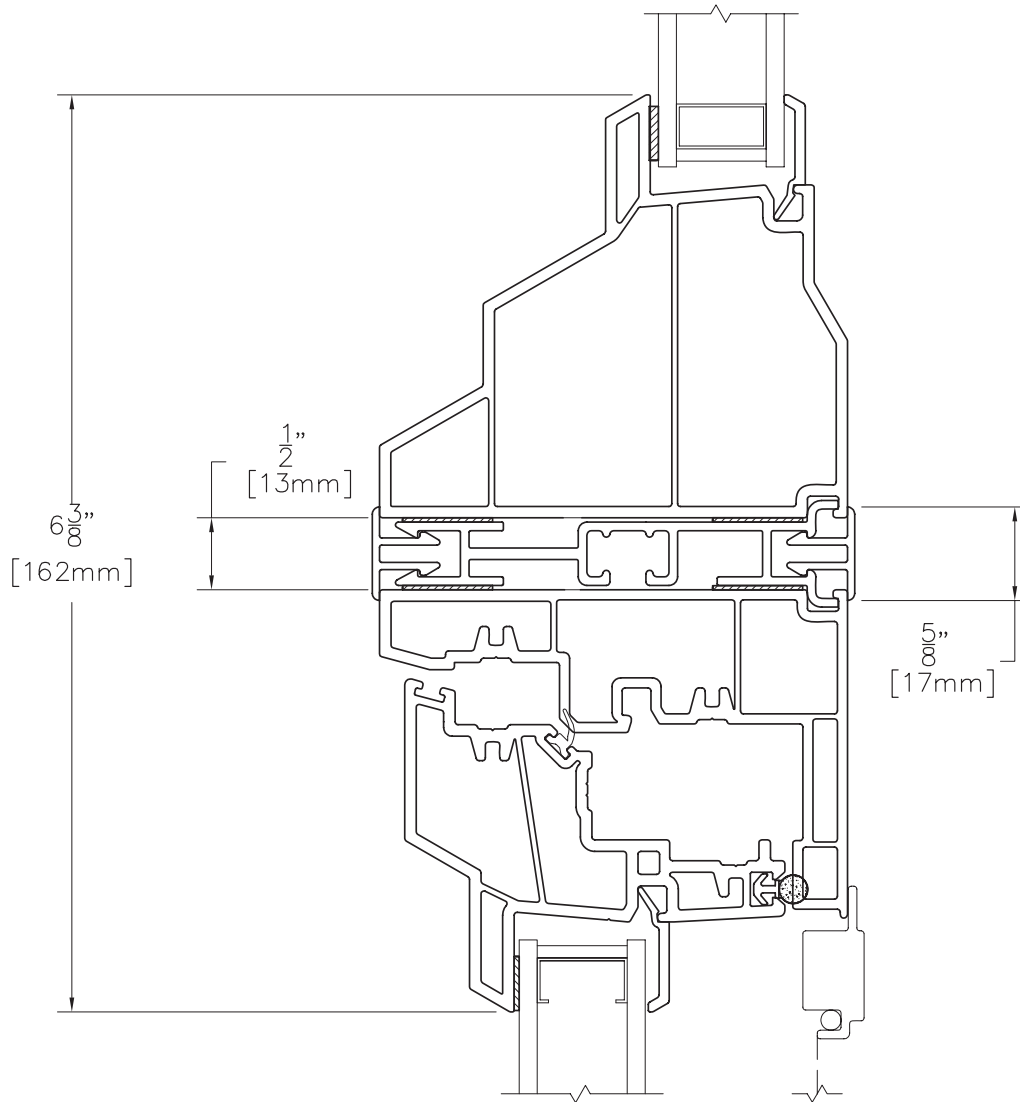


Revit, SketchUp, .PDF and .DWG files can be accessed at
milgard.com/professionals/technical-resources

[Go back to Quick Links](#)

Cable Bay Window Drawings

MULL 8420 8320

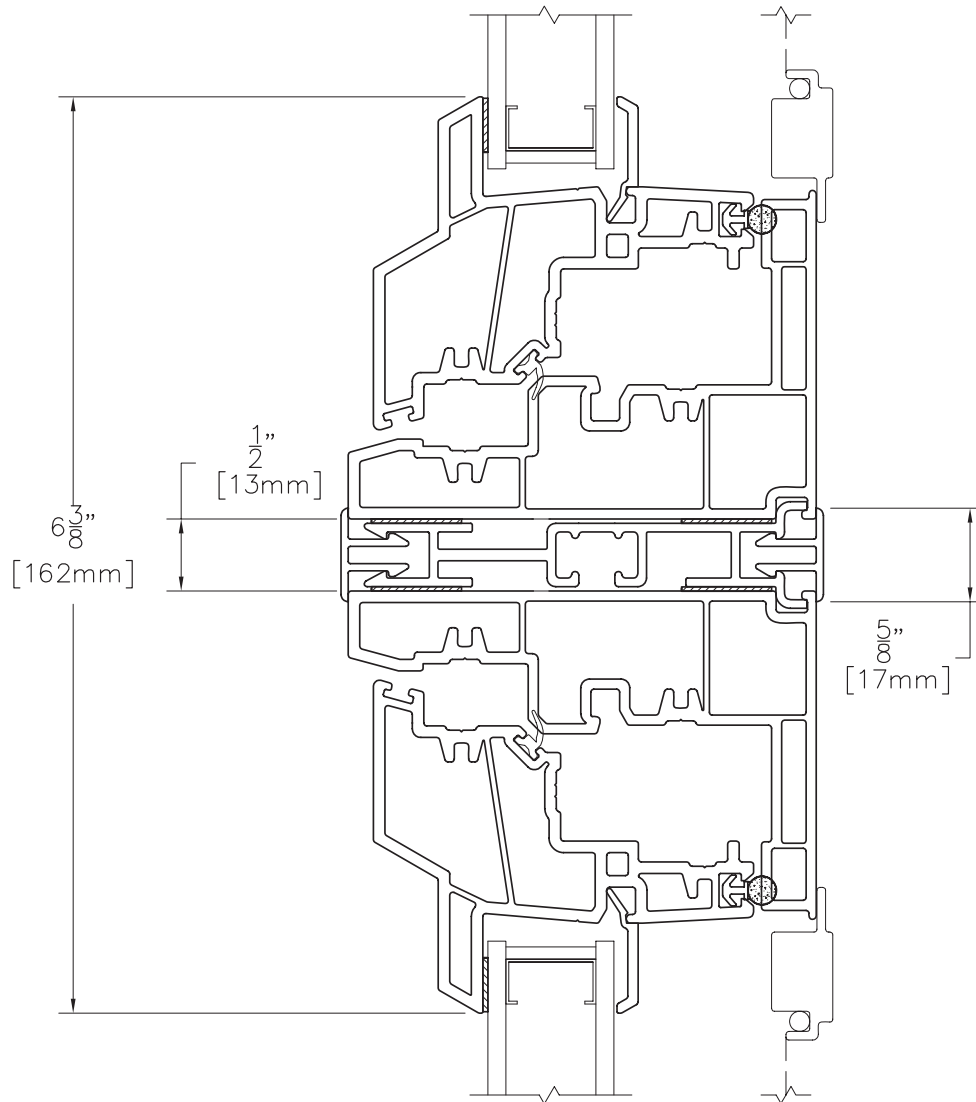


Revit, SketchUp, .PDF and .DWG files can be accessed at
milgard.com/professionals/technical-resources

[Go back to Quick Links](#)

Cable Bay Window Drawings

MULL 8420 8420

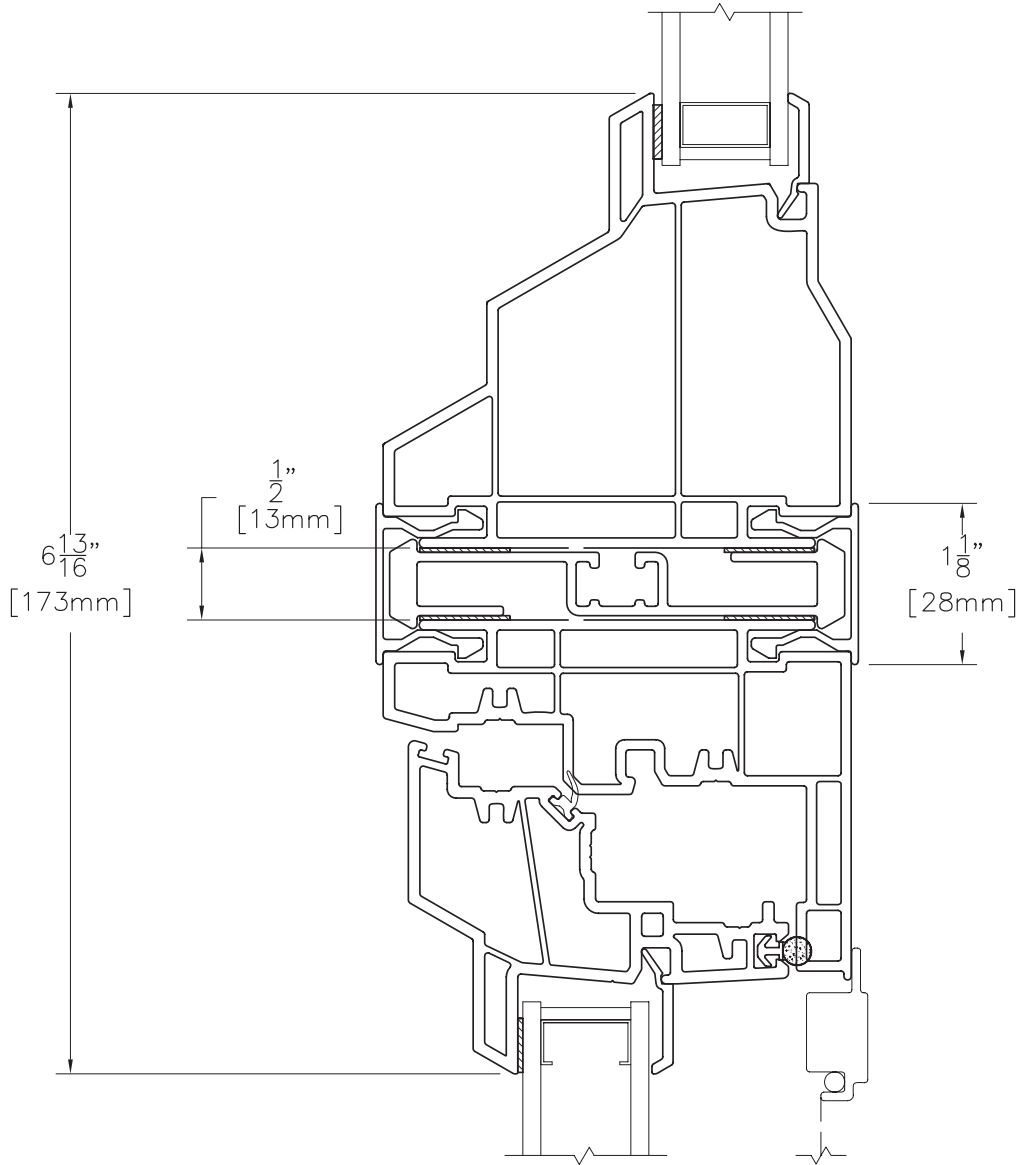


Revit, SketchUp, .PDF and .DWG files can be accessed at
milgard.com/professionals/technical-resources

[Go back to Quick Links](#)

Cable Bay Window Drawings

MULL 8440 8340

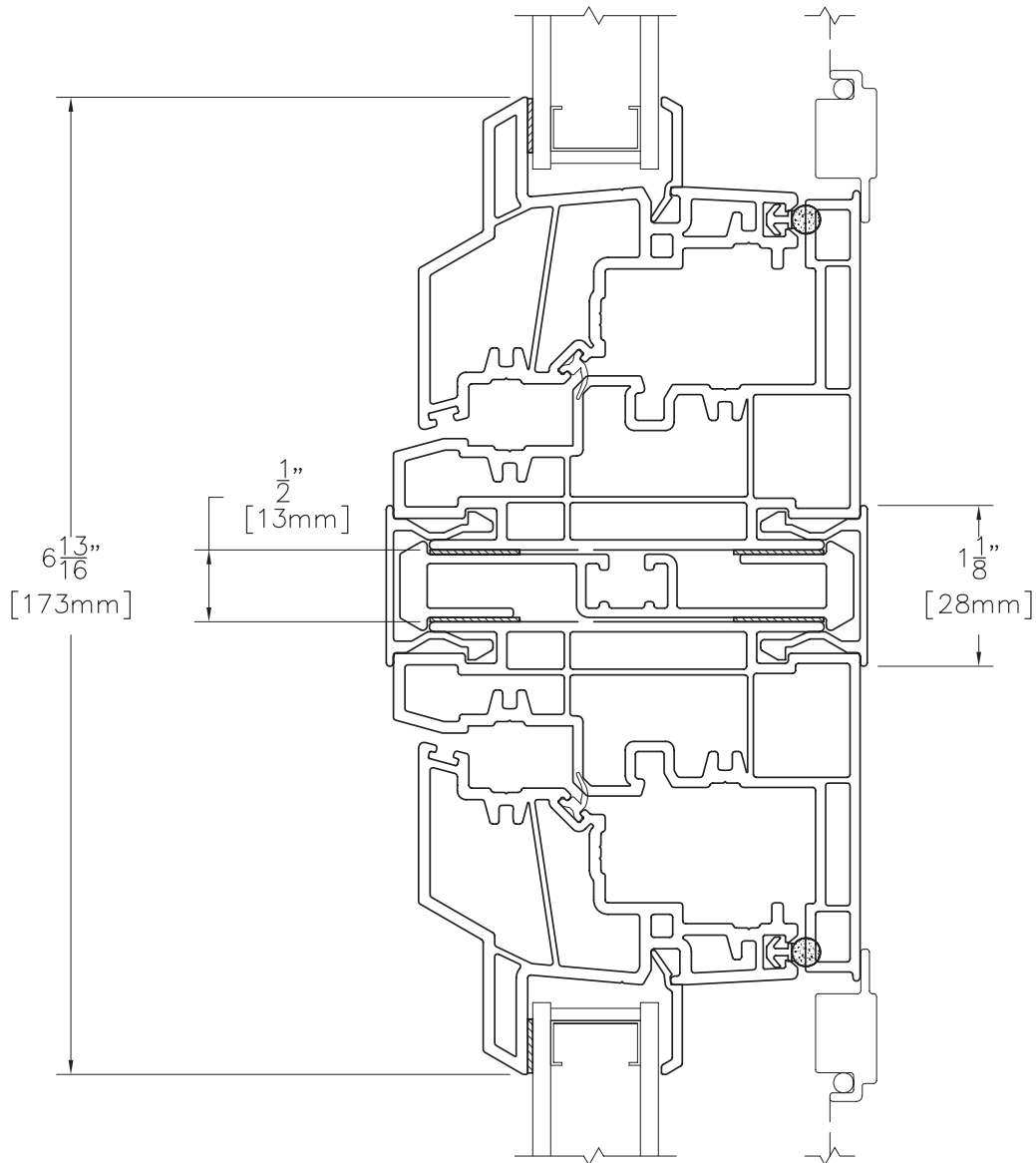


Revit, SketchUp, .PDF and .DWG files can be accessed at
milgard.com/professionals/technical-resources

[Go back to Quick Links](#)

Cable Bay Window Drawings

MULL 8440 8440

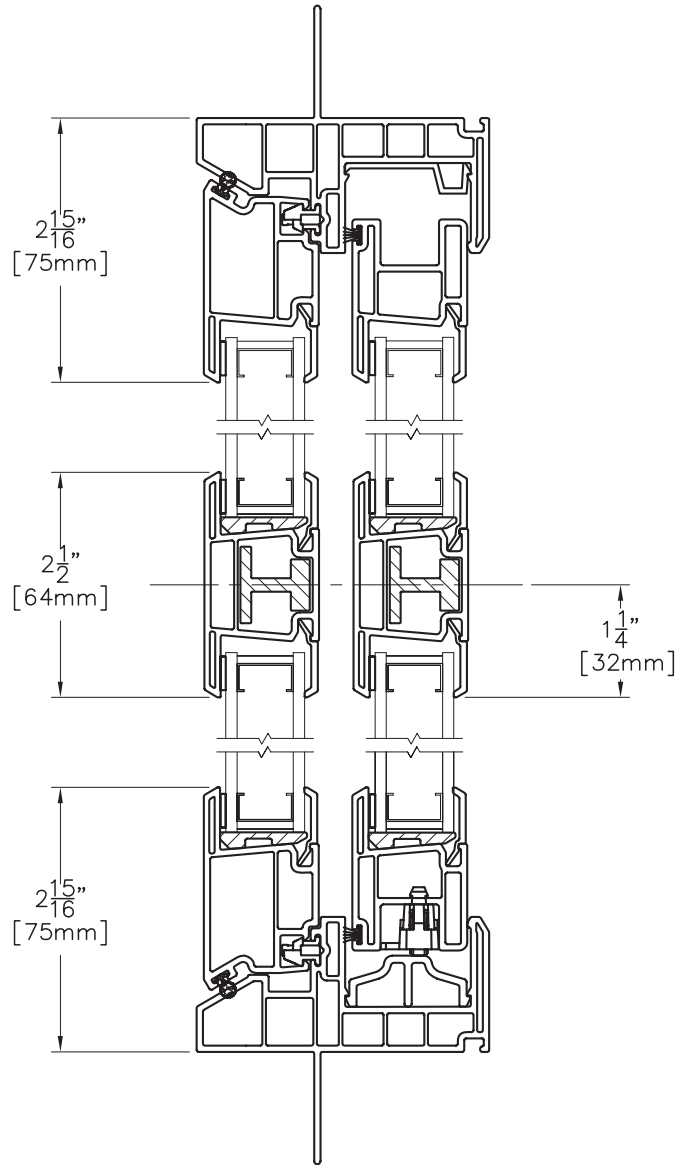


Revit, SketchUp, .PDF and .DWG files can be accessed at milgard.com/professionals/technical-resources

[Go back to Quick Links](#)

Cable Bay Window Drawings

TDL 8120 Half Vent

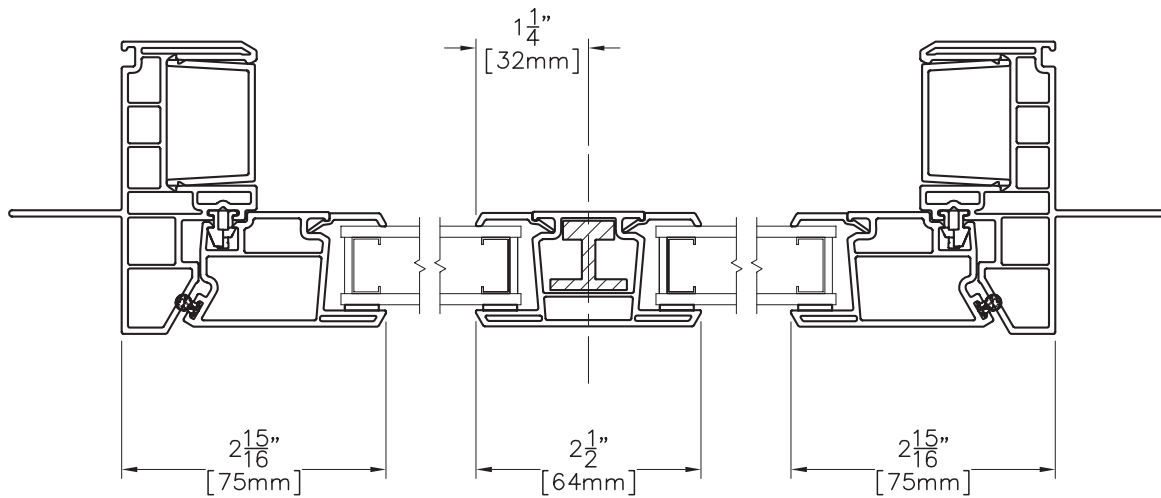


Revit, SketchUp, .PDF and .DWG files can be accessed at
milgard.com/professionals/technical-resources

[Go back to Quick Links](#)

Cable Bay Window Drawings

TDL 8220 Picture Window



Revit, SketchUp, .PDF and .DWG files can be accessed at
milgard.com/professionals/technical-resources

[Go back to Quick Links](#)

Sliding Patio Doors



The Tuscany Series and Montecito Series vinyl doors offer the outstanding insulating properties, low maintenance, and contemporary aesthetic appeal only vinyl can provide. Available in white, tan, and clay (select regions), as well as premium painted exteriors. The windows will maintain their color and shape and can be constructed to your exact size specifications, subject to engineering review.

Please also see:

[Door Hardware](#)

[Premium Exterior Vinyl Finishes](#)

[Full Lifetime Warranty](#)

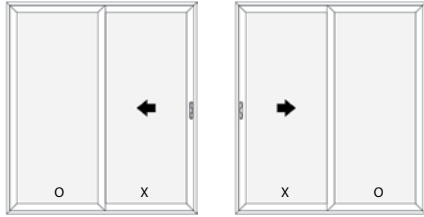
[Energy Packages](#)

[Accessories](#)

Sliding Patio Door

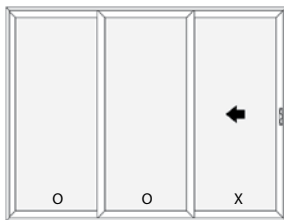
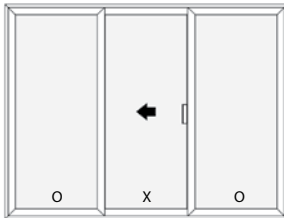
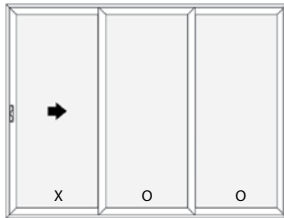
Configurations

2 PANEL

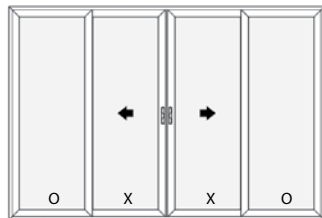


3 PANEL

Center operable panel can be handed left or right



4 PANEL



NOTE: For engineering approval contact your Milgard representative for any configuration over 40 square feet. Each Milgard Manufacturing plant reserves the right to alter or change sizes and configurations according to location capabilities. Ask your Milgard rep about specialty applications. Windows over 40 square feet shipped open for field glazing. Varies by location.

Not all frame styles available at all Milgard locations. Contact your Milgard Representative for more information.

Minimum/Maximum Sizes

STANDARD SLIDING DOOR

- 2 Panel Min 5' 6" Max 8' 8"
- 3 Panel Min 9' 6" Max 12' 8"
- 4 Panel Min 10' 6" Max 16' 8"

FRENCH RAIL SLIDING DOOR

- 2 Panel Min 5' 6" Max 8' 8"
- 3 Panel Min 9' 6" Max 12' 8"
- 4 Panel Min 10' 6" Max 16' 8"

Available Frame Styles

- 1-3/8" Setback
- 1" Setback
- 2-1/4" in Z-bar
- Transom Block Frame

Other

All configurations available with transoms, 1 or 2 sidelites, and arches.

Drawings - Quick Links

Sliding Patio Door

- 173—OXO 1-3/8" Setback
- 174—OXO 1" Setback
- 175—OXO 2-1/4" in Z-bar
- 176—OXXO 1-3/8" Setback
- 177—OXXO 1" Setback
- 178—OXXO 2-1/4" in Z-bar
- 179—XO 1-3/8" Setback
- 180—XO 1" Setback
- 181—XO 2-1/4" in Z-bar
- 182—XO Transom Block Frame
- 183—XOO 1-3/8" Setback
- 184—XOO 1" Setback
- 185—XOO 2-1/4" in Z-bar

French Sliding Patio Door

- 186—OXO 1-3/8" Setback
- 187—OXO 1" Setback
- 188—OXO 2-1/4" in Z-bar
- 189—OXXO 1-3/8" Setback
- 190—OXXO 1" Setback
- 191—OXXO 2-1/4" in Z-bar
- 192—XO 1-3/8" Setback
- 193—XO 1" Setback
- 194—XO 2-1/4" in Z-bar
- 195—XO Transom Block Frame
- 196—XOO 1-3/8" Setback
- 197—XOO 1" Setback
- 198—XOO 2-1/4" in Z-bar

Revit, SketchUp, .PDF and .DWG files can be accessed at
milgard.com/professionals/technical-resources

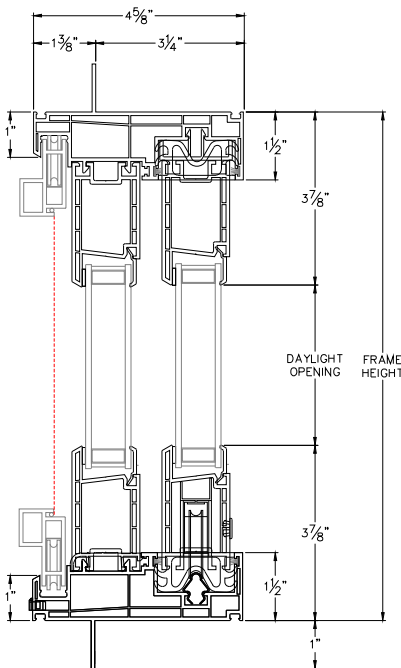
Sliding Patio Door

OXO 1-3/8" Setback

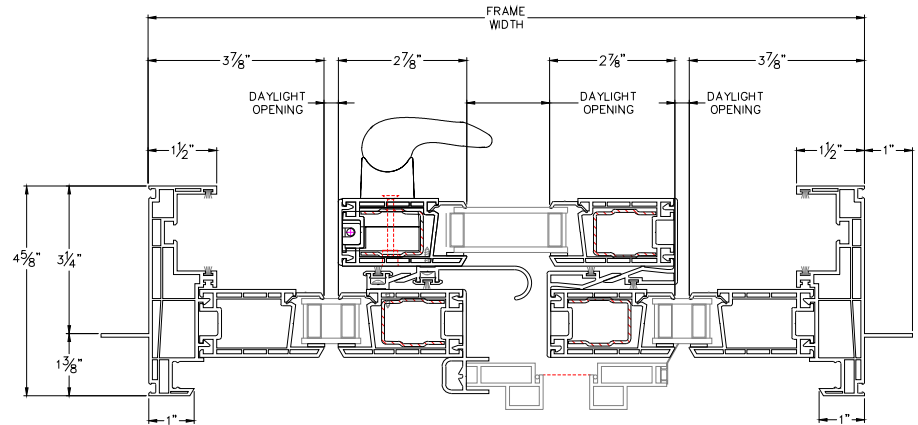
CAD File Scale	View	File Name	Units
NTS	Horizontal & Vertical	8621T-01 SD	Inch

More Technical Documents can be found at milgard.com/professionals
Due to continual research and development, details may be changed at any time. ©2013 Milgard Mfg.

SLIDING DOOR SERIES 8621



HEAD & SILL



JAMBS

Revit, SketchUp, .PDF and .DWG files can be accessed at
milgard.com/professionals/technical-resources

[Go back to Quick Links](#)

Sliding Patio Door

OXO 1" Setback

CAD File Scale
NTS

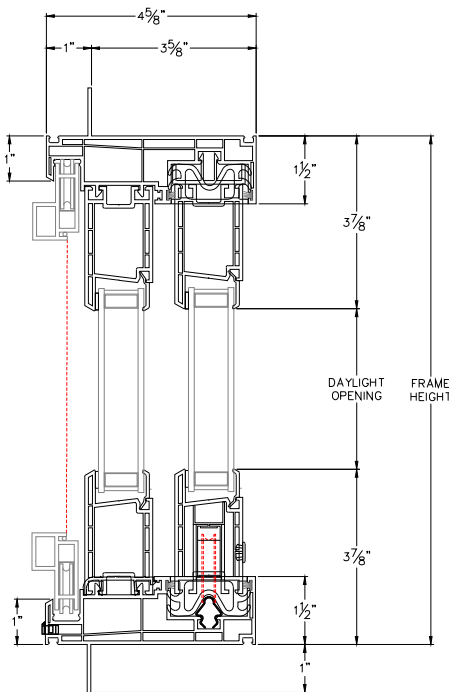
View
Horizontal & Vertical

File Name
8631T-01 SD

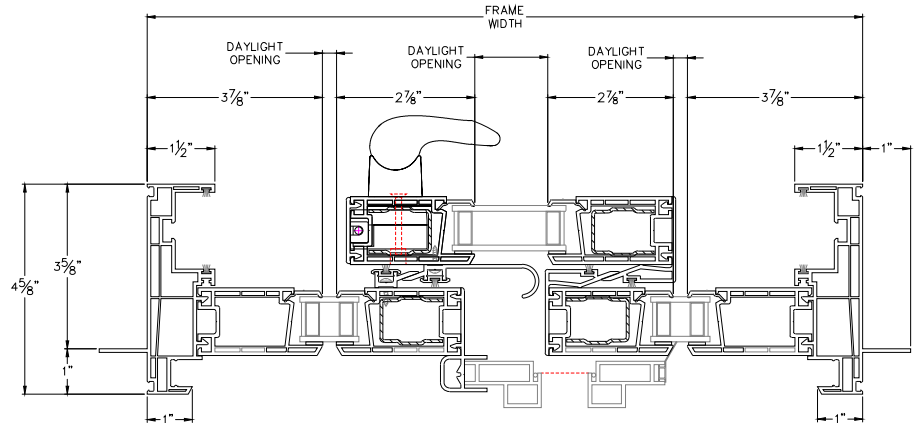
Units
Inch

More Technical Documents can be found at milgard.com/professionals
Due to continual research and development, details may be changed at any time. ©2013 Milgard Mfg.

SLIDING DOOR SERIES 8631



HEAD & SILL



JAMBS

Revit, SketchUp, .PDF and .DWG files can be accessed at
milgard.com/professionals/technical-resources

[Go back to Quick Links](#)

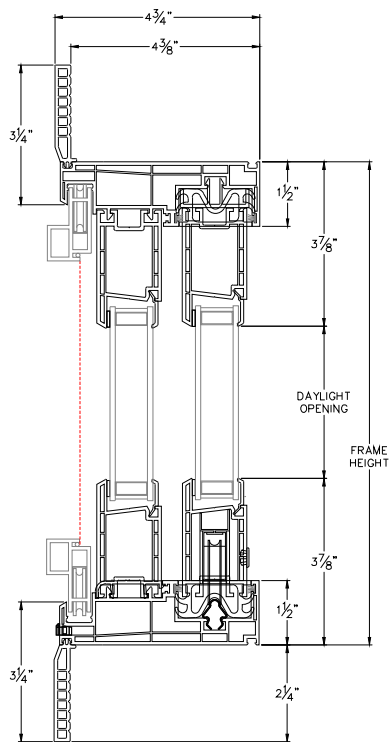
Sliding Patio Door

OXO 2-1/4" in Z-bar

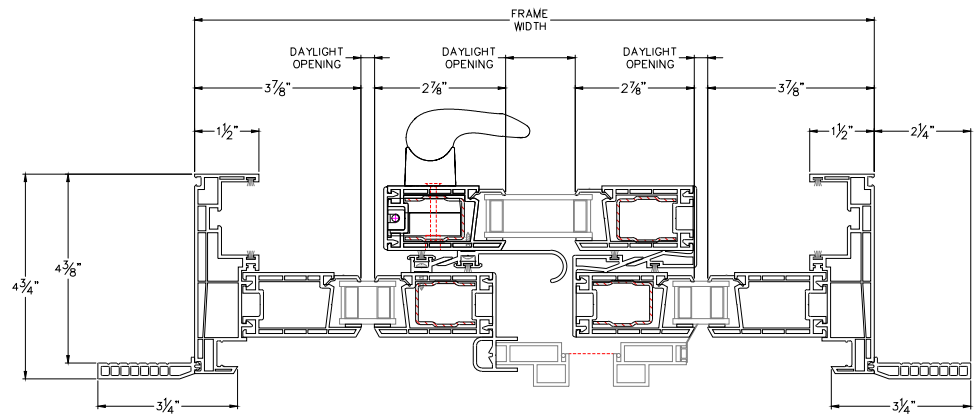
CAD File Scale	View	File Name	Units
NTS	Horizontal & Vertical	8621T-05 SD	Inch

More Technical Documents can be found at milgard.com/professionals
Due to continual research and development, details may be changed at any time. ©2013 Milgard Mfg.

SLIDING DOOR SERIES 8621



HEAD & SILL



JAMBS

Revit, SketchUp, .PDF and .DWG files can be accessed at
milgard.com/professionals/technical-resources

[Go back to Quick Links](#)

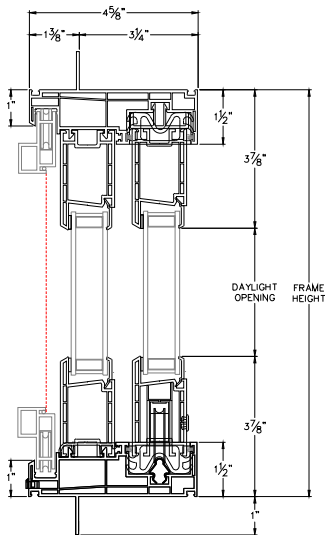
Sliding Patio Door

OXXO 1-3/8" Setback

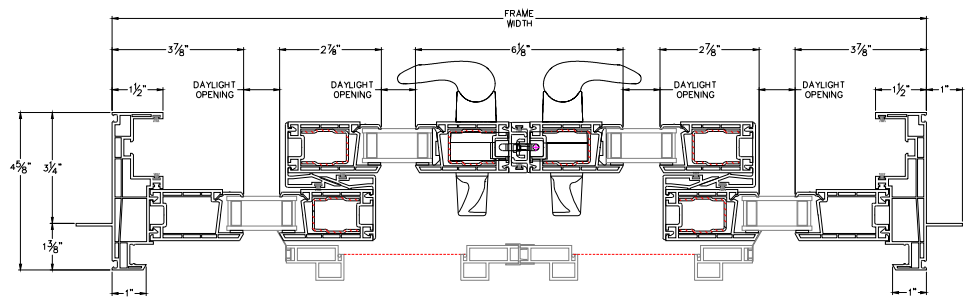
CAD File Scale	View	File Name	Units
NTS	Horizontal & Vertical	8621T-02 SD	Inch

More Technical Documents can be found at milgard.com/professionals
Due to continual research and development, details may be changed at any time. ©2013 Milgard Mfg.

SLIDING DOOR SERIES 8621



HEAD & SILL



JAMBS

Revit, SketchUp, .PDF and .DWG files can be accessed at
milgard.com/professionals/technical-resources

[Go back to Quick Links](#)

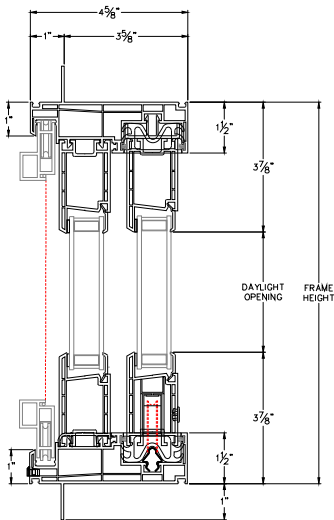
Sliding Patio Door

OXXO 1" Setback

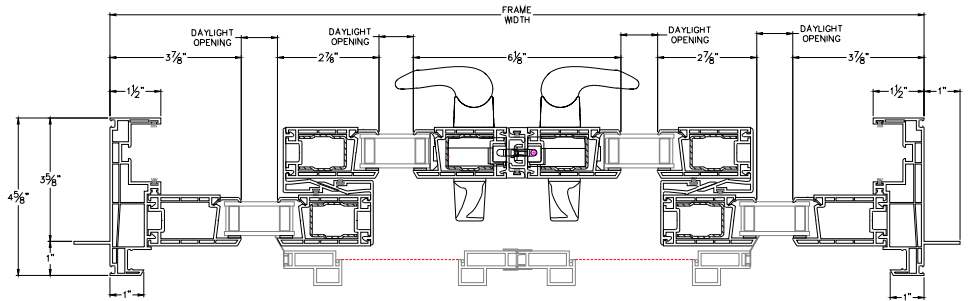
CAD File Scale	View	File Name	Units
NTS	Horizontal & Vertical	8631T-02 SD	Inch

More Technical Documents can be found at milgard.com/professionals
Due to continual research and development, details may be changed at any time. ©2013 Milgard Mfg.

SLIDING DOOR SERIES 8631



HEAD & SILL



JAMBS

Revit, SketchUp, .PDF and .DWG files can be accessed at
milgard.com/professionals/technical-resources

[Go back to Quick Links](#)

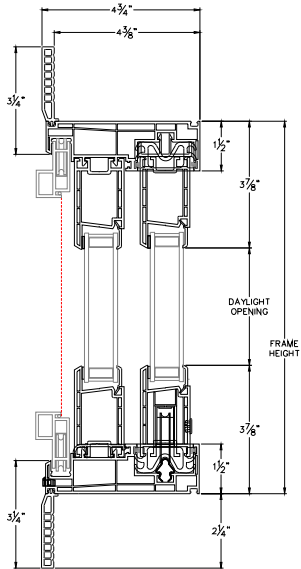
Sliding Patio Door

OXXO 2-1/4" in Z-bar

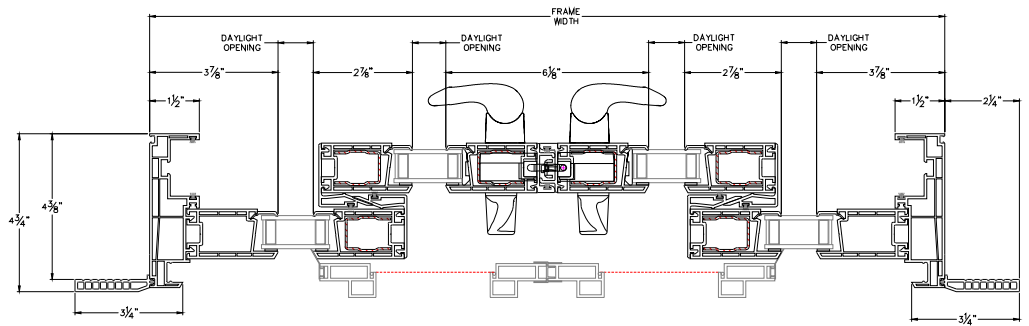
CAD File Scale	View	File Name	Units
NTS	Horizontal & Vertical	8621T-06 SD	Inch

More Technical Documents can be found at milgard.com/professionals
Due to continual research and development, details may be changed at any time. ©2013 Milgard Mfg.

SLIDING DOOR SERIES 8621



HEAD & SILL



JAMBS

Revit, SketchUp, .PDF and .DWG files can be accessed at
milgard.com/professionals/technical-resources

[Go back to Quick Links](#)

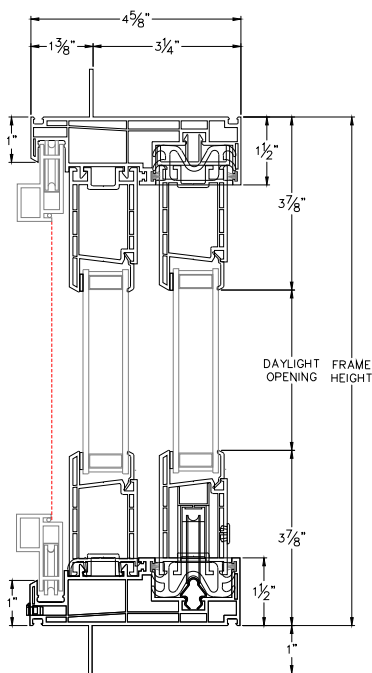
Sliding Patio Door

XO 1-3/8" Setback

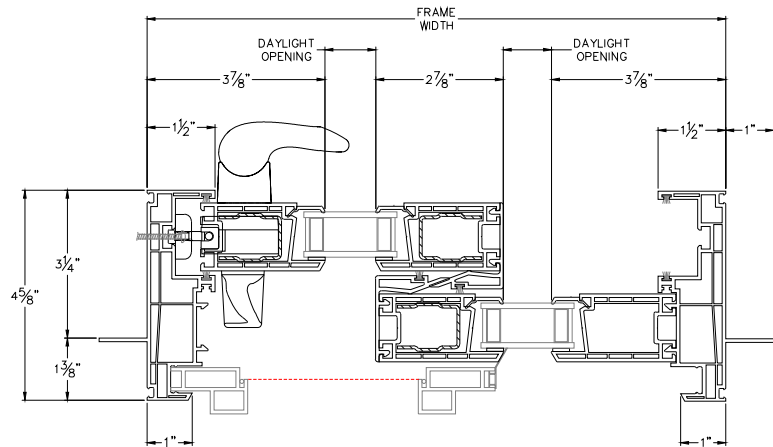
CAD File Scale	View	File Name	Units
NTS	Horizontal & Vertical	8621T-03 SD	Inch

More Technical Documents can be found at milgard.com/professionals
Due to continual research and development, details may be changed at any time. ©2013 Milgard Mfg.

SLIDING DOOR SERIES 8621



HEAD & SILL



JAMBS

Revit, SketchUp, .PDF and .DWG files can be accessed at milgard.com/professionals/technical-resources

[Go back to Quick Links](#)

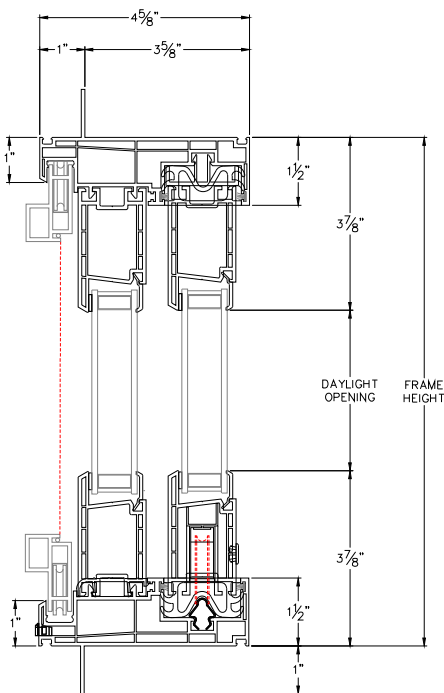
Sliding Patio Door

XO 1" Setback

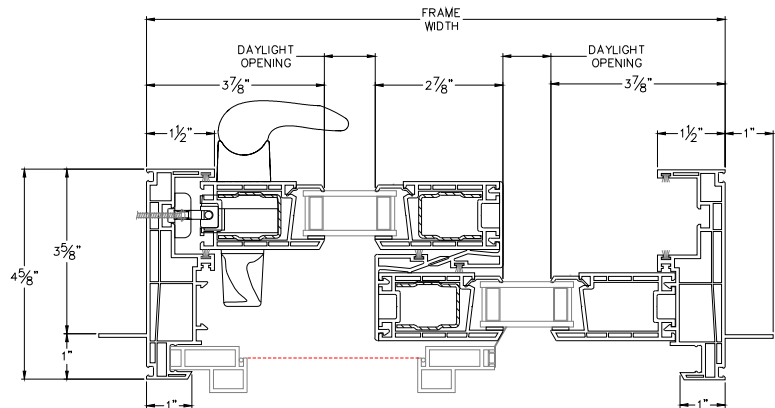
CAD File Scale	View	File Name	Units
NTS	Horizontal & Vertical	8631T-03 FS	Inch

More Technical Documents can be found at milgard.com/professionals
Due to continual research and development, details may be changed at any time. ©2013 Milgard Mfg.

SLIDING DOOR SERIES 8361



HEAD & SILL



JAMBS

Revit, SketchUp, .PDF and .DWG files can be accessed at
milgard.com/professionals/technical-resources

[Go back to Quick Links](#)

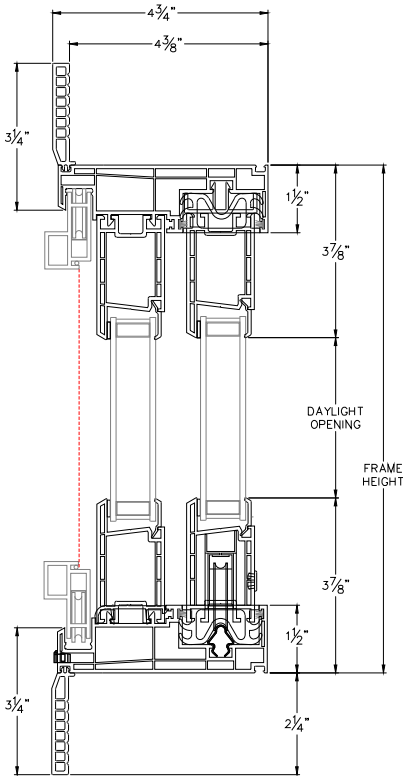
Sliding Patio Door

XO 2-1/4" in Z-bar

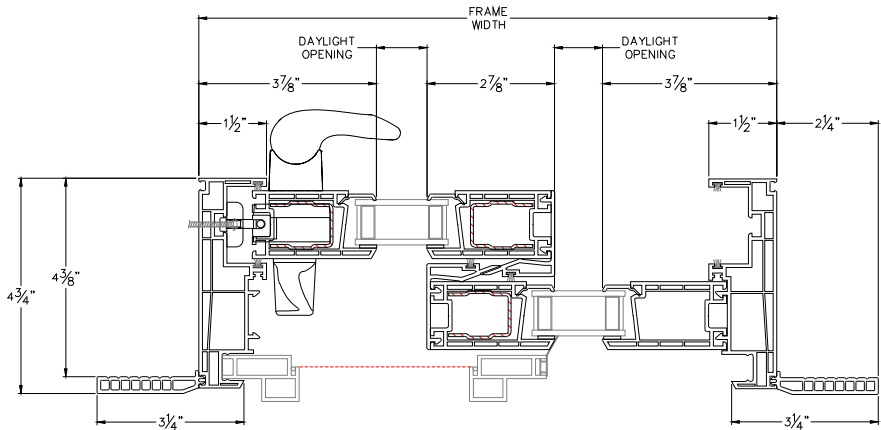
CAD File Scale	View	File Name	Units
NTS	Horizontal & Vertical	8621T-07 SD	Inch

More Technical Documents can be found at milgard.com/professionals
Due to continual research and development, details may be changed at any time. ©2013 Milgard Mfg.

SLIDING DOOR SERIES 8621



HEAD & SILL



JAMBS

Revit, SketchUp, .PDF and .DWG files can be accessed at
milgard.com/professionals/technical-resources

[Go back to Quick Links](#)

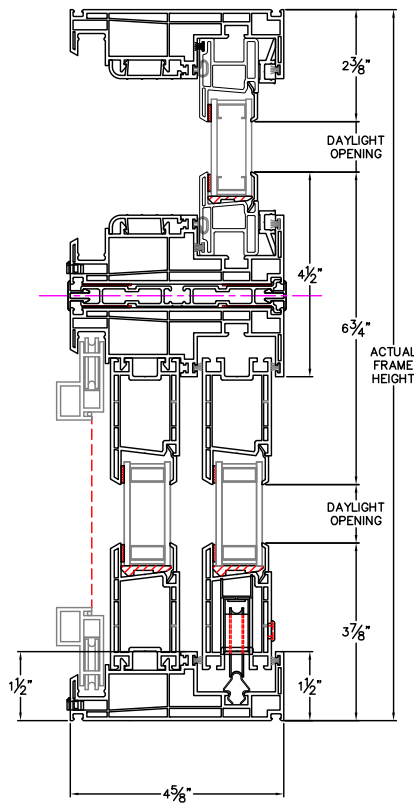
Sliding Patio Door

XO Transom Block Frame

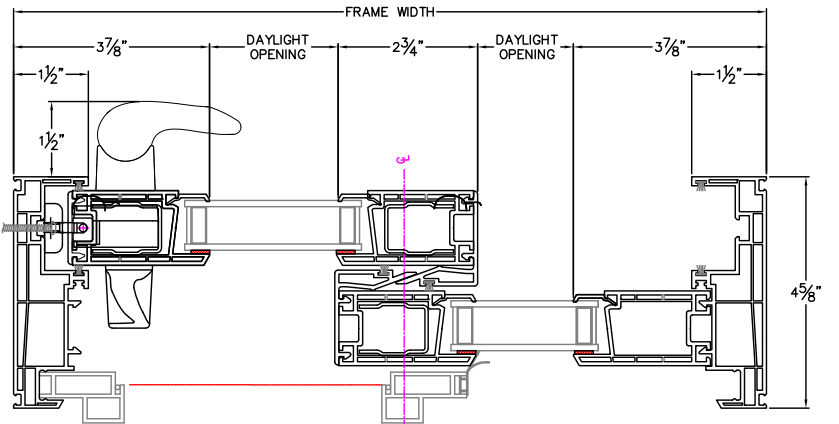
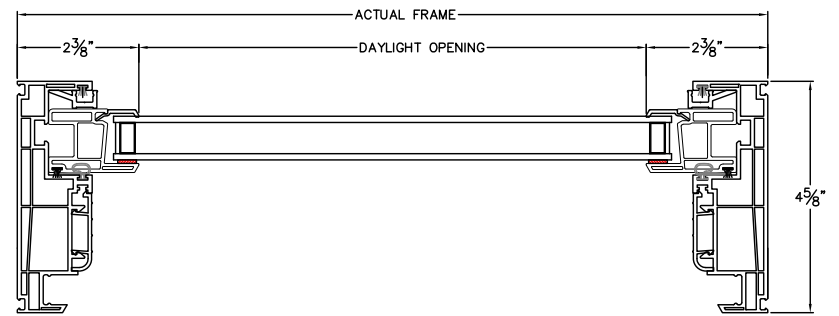
CAD File Scale	View	File Name	Units
NTS	Horizontal & Vertical	8621 SGD with transom	Inch

More Technical Documents can be found at milgard.com/professionals
Due to continual research and development, details may be changed at any time. ©2013 Milgard Mfg.

SLIDING GLASS DOOR WITH TRANSOM SERIES 8621



HEAD & SILL



JAMBS

Revit, SketchUp, .PDF and .DWG files can be accessed at
milgard.com/professionals/technical-resources

[Go back to Quick Links](#)

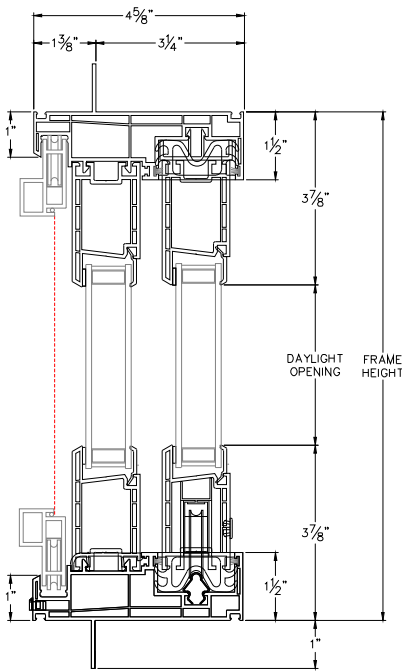
Sliding Patio Door

XOO 1-3/8" Setback

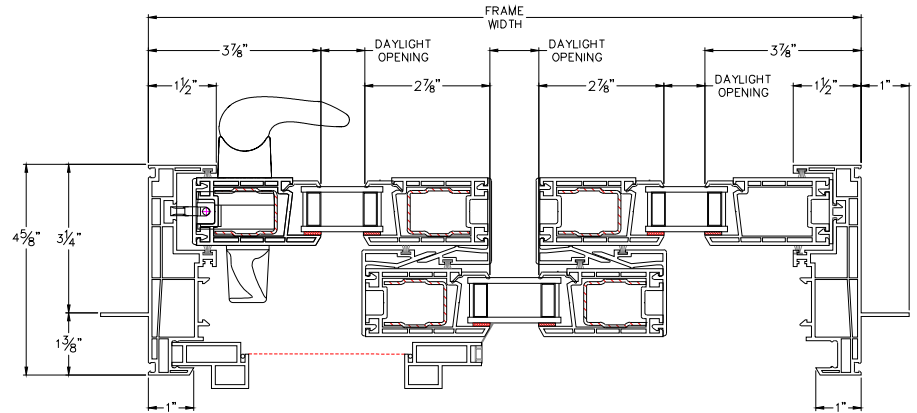
CAD File Scale	View	File Name	Units
NTS	Horizontal & Vertical	8621T-04 SD	Inch

More Technical Documents can be found at milgard.com/professionals
Due to continual research and development, details may be changed at any time. ©2013 Milgard Mfg.

SLIDING DOOR SERIES 8621



HEAD & SILL



JAMBS

Revit, SketchUp, .PDF and .DWG files can be accessed at
milgard.com/professionals/technical-resources

[Go back to Quick Links](#)

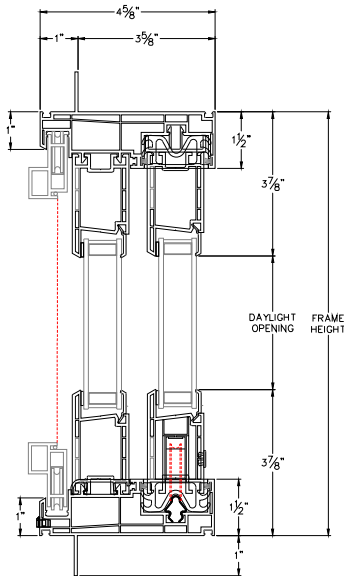
Sliding Patio Door

XOO 1" Setback

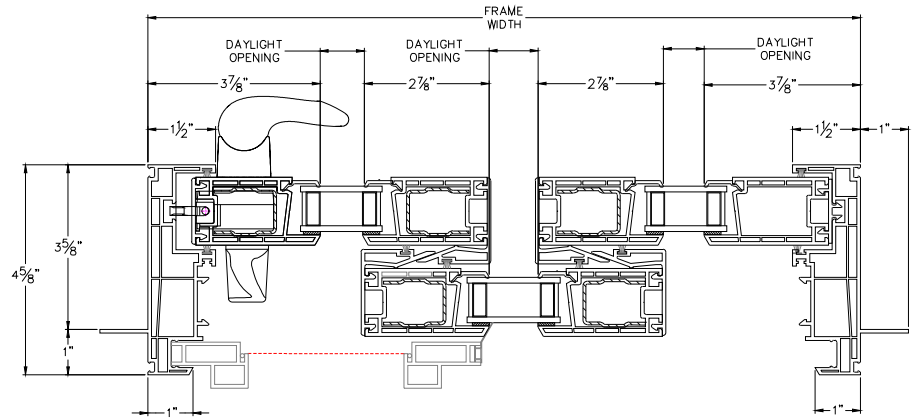
CAD File Scale	View	File Name	Units
NTS	Horizontal & Vertical	8631T-04 SD	Inch

More Technical Documents can be found at milgard.com/professionals
Due to continual research and development, details may be changed at any time. ©2013 Milgard Mfg.

SLIDING DOOR SERIES 8631



HEAD & SILL



JAMBS

Revit, SketchUp, .PDF and .DWG files can be accessed at
milgard.com/professionals/technical-resources

[Go back to Quick Links](#)

Sliding Patio Door

XOO 2-1/4" in Z-bar

CAD File Scale
NTS

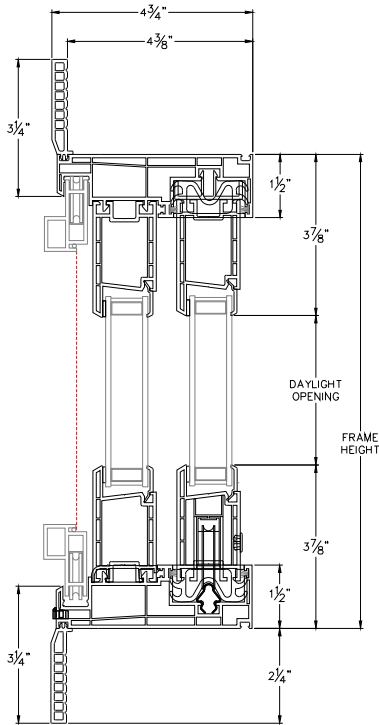
View
Horizontal & Vertical

File Name
8621T-08 SD

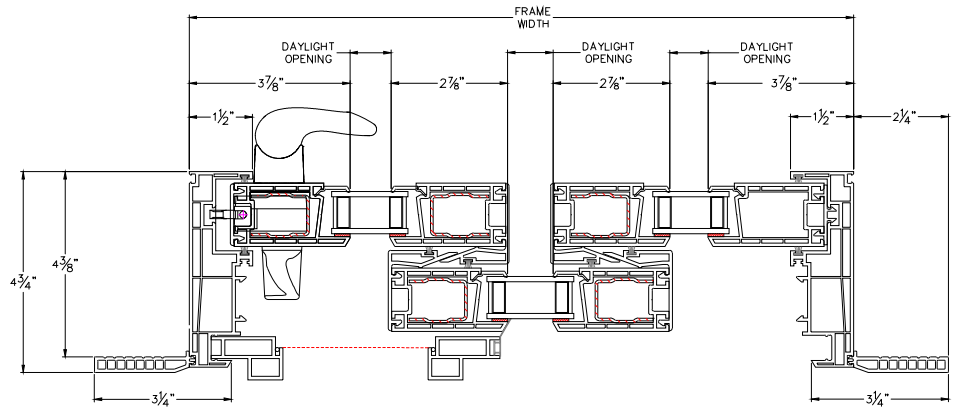
Units
Inch

More Technical Documents can be found at milgard.com/professionals
Due to continual research and development, details may be changed at any time. ©2013 Milgard Mfg.

SLIDING DOOR SERIES 8621



HEAD & SILL



JAMBS

Revit, SketchUp, .PDF and .DWG files can be accessed at
milgard.com/professionals/technical-resources

[Go back to Quick Links](#)

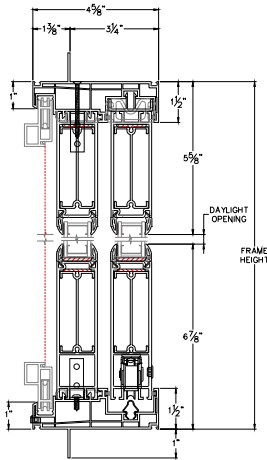
French Sliding Patio Door

OXO 1-3/8" Setback

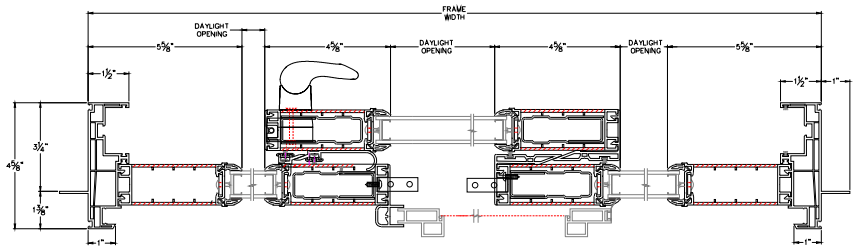
CAD File Scale	View	File Name	Units
NTS	Horizontal & Vertical	8621FT-03 FS	Inch

More Technical Documents can be found at milgard.com/professionals
Due to continual research and development, details may be changed at any time. ©2013 Milgard Mfg.

FRENCH SLIDER SERIES 8621F



HEAD & SILL



JAMBS

Revit, SketchUp, .PDF and .DWG files can be accessed at
milgard.com/professionals/technical-resources

[Go back to Quick Links](#)

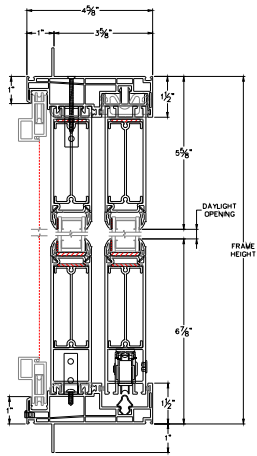
French Sliding Patio Door

OXO 1" Setback

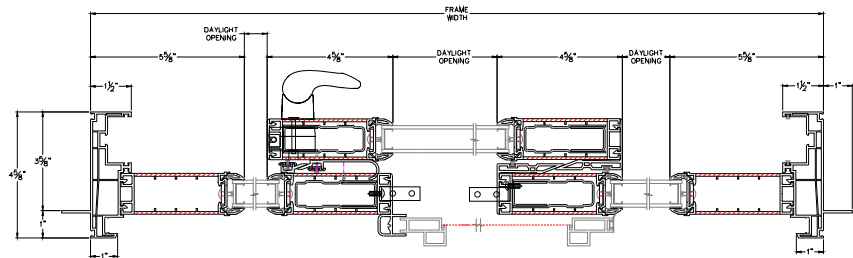
CAD File Scale	View	File Name	Units
NTS	Horizontal & Vertical	8631FT-03 FS	Inch

More Technical Documents can be found at milgard.com/professionals
Due to continual research and development, details may be changed at any time. ©2013 Milgard Mfg.

FRENCH SLIDER SERIES 8631F



HEAD & SILL



JAMBS

Revit, SketchUp, .PDF and .DWG files can be accessed at
milgard.com/professionals/technical-resources

[Go back to Quick Links](#)

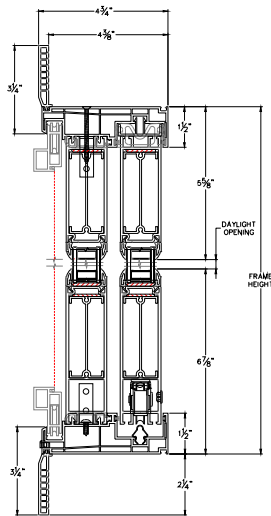
French Sliding Patio Door

OXO 2-1/4" in Z-bar

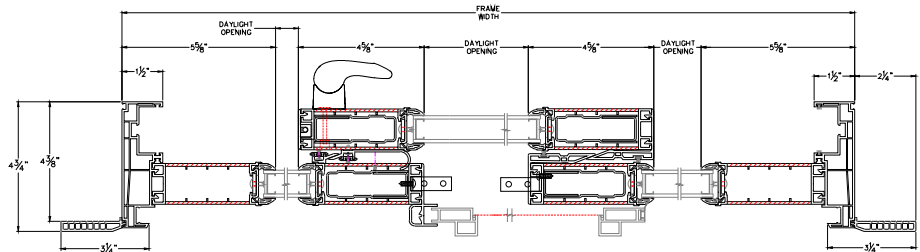
CAD File Scale	View	File Name	Units
NTS	Horizontal & Vertical	8621FT-07 FS	Inch

More Technical Documents can be found at milgard.com/professionals
Due to continual research and development, details may be changed at any time. ©2013 Milgard Mfg.

FRENCH SLIDER SERIES 8621F



HEAD & SILL



JAMBS

Revit, SketchUp, .PDF and .DWG files can be accessed at
milgard.com/professionals/technical-resources

[Go back to Quick Links](#)

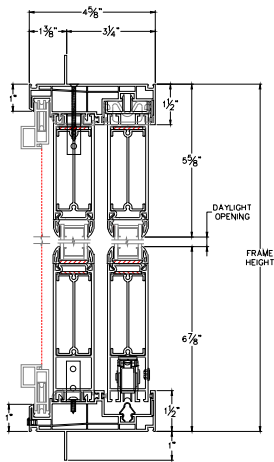
French Sliding Patio Door

OXXO 1-3/8" Setback

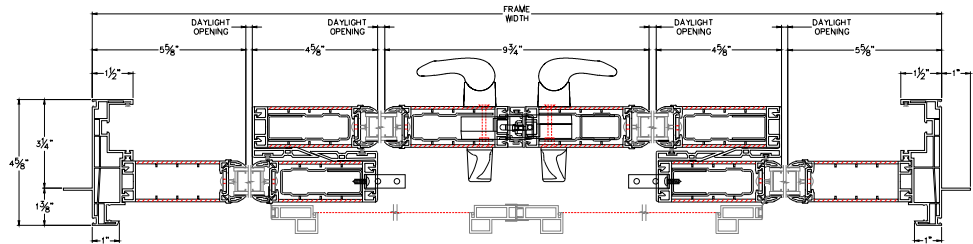
CAD File Scale	View	File Name	Units
NTS	Horizontal & Vertical	8621FT-04 FS	Inch

More Technical Documents can be found at milgard.com/professionals
Due to continual research and development, details may be changed at any time. ©2013 Milgard Mfg.

FRENCH SLIDER SERIES 8621F



HEAD & SILL



JAMBS

Revit, SketchUp, .PDF and .DWG files can be accessed at
milgard.com/professionals/technical-resources

[Go back to Quick Links](#)

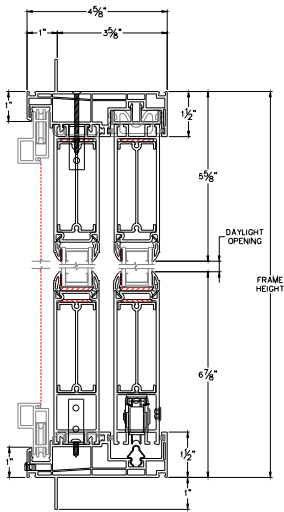
French Sliding Patio Door

OXXO 1" Setback

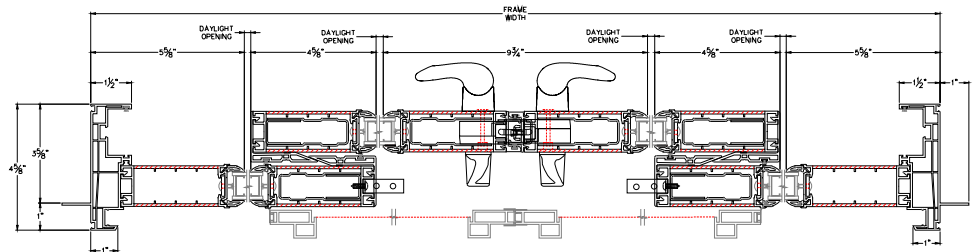
CAD File Scale	View	File Name	Units
NTS	Horizontal & Vertical	8631FT-04 FS	Inch

More Technical Documents can be found at milgard.com/professionals
Due to continual research and development, details may be changed at any time. ©2013 Milgard Mfg.

FRENCH SLIDER SERIES 8631F



HEAD & SILL



JAMBS

Revit, SketchUp, .PDF and .DWG files can be accessed at
milgard.com/professionals/technical-resources

[Go back to Quick Links](#)

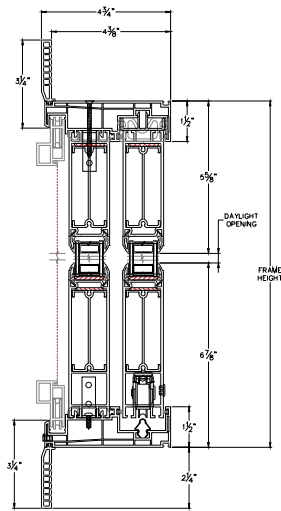
French Sliding Patio Door

OXXO 2-1/4" in Z-bar

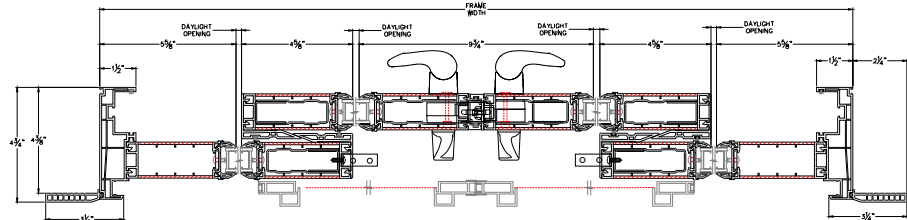
CAD File Scale	View	File Name	Units
NTS	Horizontal & Vertical	8621FT-08 FS	Inch

More Technical Documents can be found at milgard.com/professionals
Due to continual research and development, details may be changed at any time. ©2013 Milgard Mfg.

FRENCH SLIDER SERIES 8621F



HEAD & SILL



JAMBS

Revit, SketchUp, .PDF and .DWG files can be accessed at
milgard.com/professionals/technical-resources

[Go back to Quick Links](#)

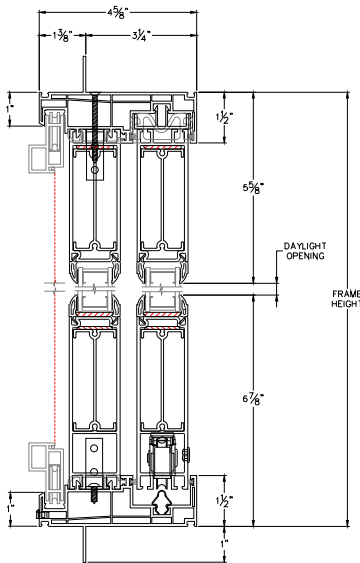
French Sliding Patio Door

XO 1-3/8" Setback

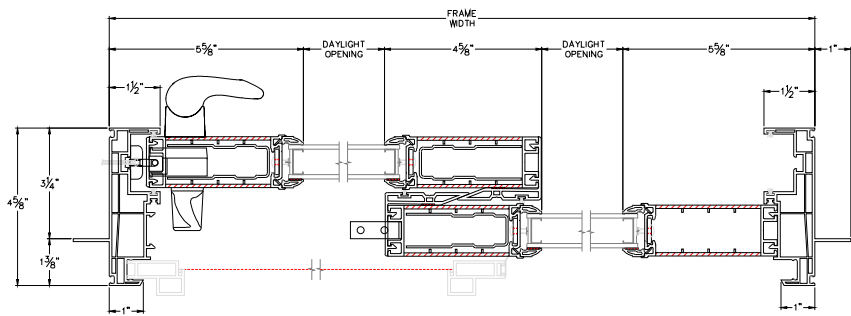
CAD File Scale	View	File Name	Units
NTS	Horizontal & Vertical	8621FT-02 FS	Inch

More Technical Documents can be found at milgard.com/professionals
Due to continual research and development, details may be changed at any time. ©2013 Milgard Mfg.

FRENCH SLIDER SERIES 8621F



HEAD & SILL



JAMBS

Revit, SketchUp, .PDF and .DWG files can be accessed at
milgard.com/professionals/technical-resources

[Go back to Quick Links](#)

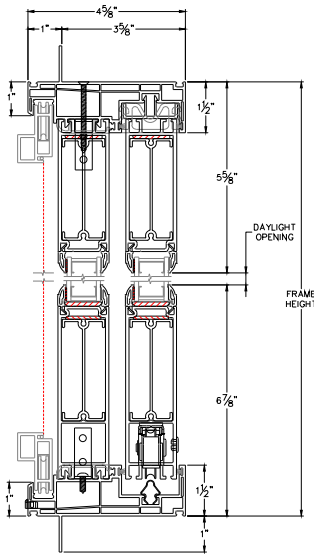
French Sliding Patio Door

XO 1" Setback

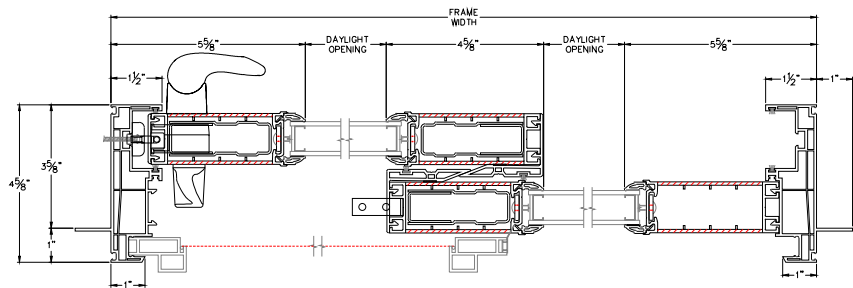
CAD File Scale	View	File Name	Units
NTS	Horizontal & Vertical	8631FT-02 FS	Inch

More Technical Documents can be found at milgard.com/professionals
Due to continual research and development, details may be changed at any time. ©2013 Milgard Mfg.

FRENCH SLIDER SERIES 8631F



HEAD & SILL



JAMBS

Revit, SketchUp, .PDF and .DWG files can be accessed at
milgard.com/professionals/technical-resources

[Go back to Quick Links](#)

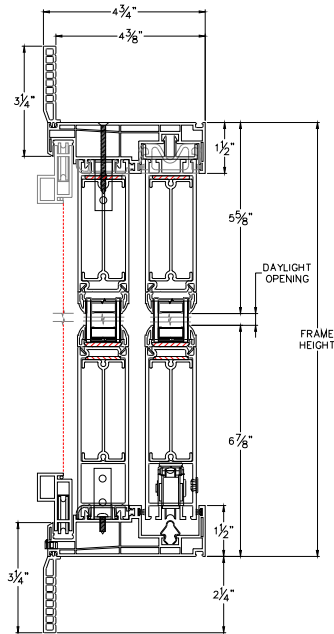
French Sliding Patio Door

XO 2-1/4" in Z-bar

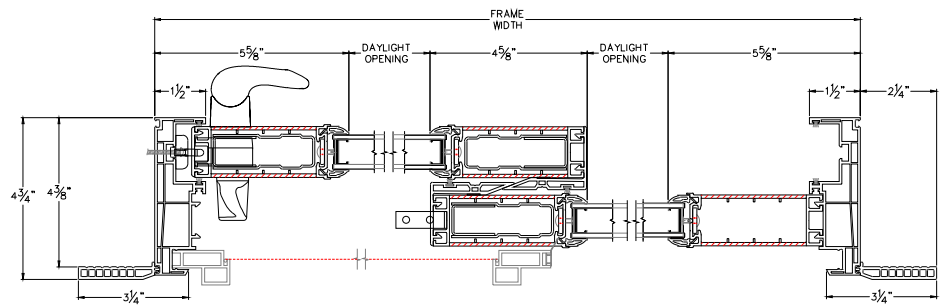
CAD File Scale	View	File Name	Units
NTS	Horizontal & Vertical	8621FT-06 FS	Inch

More Technical Documents can be found at milgard.com/professionals
Due to continual research and development, details may be changed at any time. ©2013 Milgard Mfg.

FRENCH SLIDER SERIES 8621F



HEAD & SILL



JAMBS

Revit, SketchUp, .PDF and .DWG files can be accessed at
milgard.com/professionals/technical-resources

[Go back to Quick Links](#)

French Sliding Patio Door

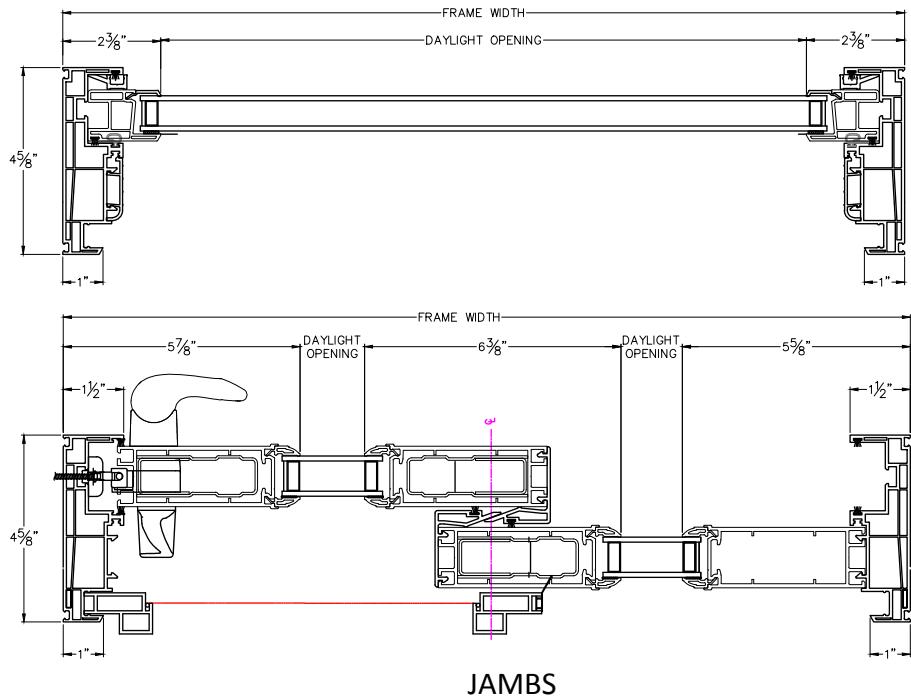
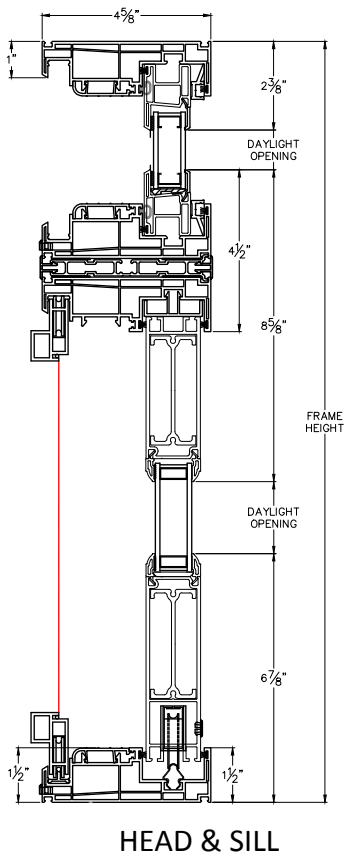
XO Transom Block Frame

CAD File Scale	View	File Name	Units
NTS	Horizontal & Vertical	Tuscany_8621F_SGD_block_with_transom	Inch

More Technical Documents can be found at milgard.com/professionals
Due to continual research and development, details may be changed at any time. ©2013 Milgard Mfg.

SLIDING GLASS DOOR SERIES 8670T

XO CONFIGURATION SHOWN
OX CONFIGURATION ALSO AVAILAE



Revit, SketchUp, .PDF and .DWG files can be accessed at
milgard.com/professionals/technical-resources

[Go back to Quick Links](#)

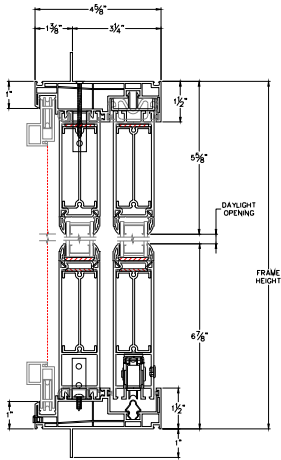
French Sliding Patio Door

XOO 1-3/8" Setback

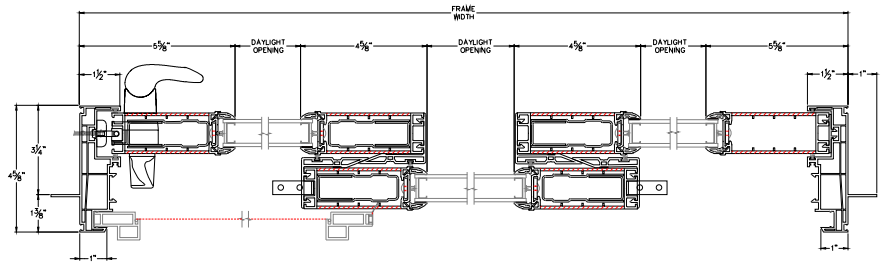
CAD File Scale	View	File Name	Units
NTS	Horizontal & Vertical	8621FT-01 FS	Inch

More Technical Documents can be found at milgard.com/professionals
Due to continual research and development, details may be changed at any time. ©2013 Milgard Mfg.

FRENCH SLIDER SERIES 8621F



HEAD & SILL



JAMBS

Revit, SketchUp, .PDF and .DWG files can be accessed at
milgard.com/professionals/technical-resources

[Go back to Quick Links](#)

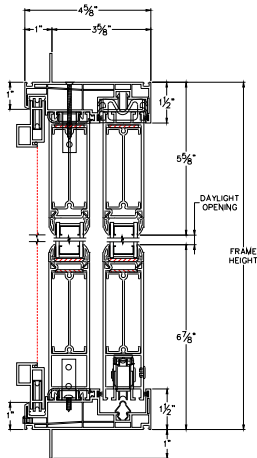
French Sliding Patio Door

XOO 1" Setback

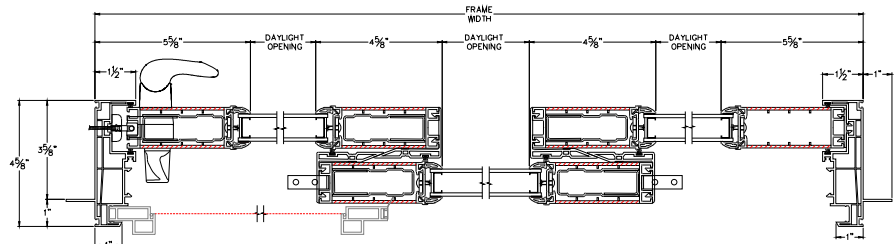
CAD File Scale	View	File Name	Units
NTS	Horizontal & Vertical	8631FT-01 FS	Inch

More Technical Documents can be found at milgard.com/professionals
Due to continual research and development, details may be changed at any time. ©2013 Milgard Mfg.

FRENCH SLIDER SERIES 8631F



HEAD & SILL



JAMBS

Revit, SketchUp, .PDF and .DWG files can be accessed at
milgard.com/professionals/technical-resources

[Go back to Quick Links](#)

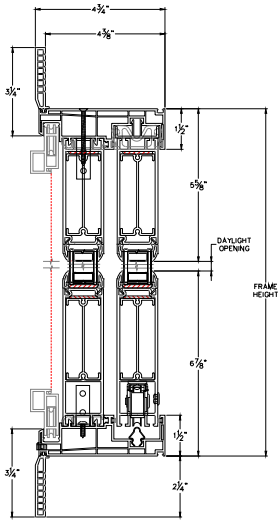
French Sliding Patio Door

XOO 2-1/4" in Z-bar

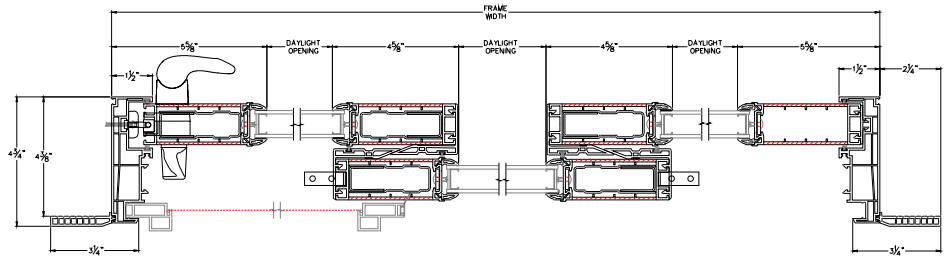
CAD File Scale	View	File Name	Units
NTS	Horizontal & Vertical	8621FT-05 FS	Inch

More Technical Documents can be found at milgard.com/professionals
Due to continual research and development, details may be changed at any time. ©2013 Milgard Mfg.

FRENCH SLIDER SERIES 8621F



HEAD & SILL



JAMBS

Revit, SketchUp, .PDF and .DWG files can be accessed at
milgard.com/professionals/technical-resources

[Go back to Quick Links](#)

Swing Patio Doors



The Tuscany Series and Montecito Series vinyl doors offer the outstanding insulating properties, low maintenance, and contemporary aesthetic appeal only vinyl can provide. Available in white, tan, and clay (select regions), as well as premium painted exteriors. The windows will maintain their color and shape and can be constructed to your exact size specifications, subject to engineering review.

Swing doors not available in all locations.

Please also see:

[Door Hardware](#)

[Premium Exterior Vinyl Finishes](#)

[Full Lifetime Warranty](#)

[Energy Packages](#)

[Accessories](#)

Swing Patio Door

Configurations

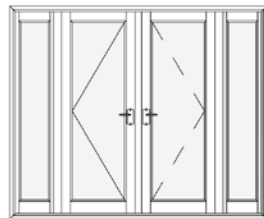
1 PANEL

Left or right handing
Operable or fixed sidelites



2 PANEL

Active/Passive (shown)
Passive/Active
Left/Fixed
Right/Fixed
Fixed/Left
Fixed/Right
Operable or fixed sidelites



Minimum/Maximum Sizes

In-Swing Door

- 1 Panel Min 2⁰ 6⁶ Max 3² 8⁰
- 1 Panel, 1 Sidelite Min 3⁴ 6⁶ Max 5² 8⁰
- 1 Panel, 2 Sidelite Min 4⁸ 6⁶ Max 7² 8⁰
- 2 Panel Min 4⁰ 6⁶ Max 6⁴ 8⁰
- 2 Panel, 1 Sidelite Min 5⁴ 6⁶ Max 8⁴ 8⁰
- 2 Panel, 2 Sidelite Min 6⁸ 6⁶ Max 10⁰ 8⁰

Out-Swing Door

- 1 Panel Min 2⁰ 6⁶ Max 3² 8⁰
- 1 Panel, 1 Sidelite Min 3⁴ 6⁶ Max 5² 8⁰
- 1 Panel, 2 Sidelite Min 4⁸ 6⁶ Max 7² 8⁰
- 2 Panel Min 4⁰ 6⁶ Max 6⁴ 8⁰
- 2 Panel, 1 Sidelite Min 5⁴ 6⁶ Max 8⁴ 8⁰
- 2 Panel, 2 Sidelite Min 6⁸ 6⁶ Max 10⁰ 8⁰

Available Frame Styles

- 1-3/8" Setback 4-9/16" Wall Condition
- 1-3/8" Setback 6-9/16" Wall Condition
- 1-3/8" Setback 4-9/16" Wall Condition

Other

All configurations available with transoms, 1 or 2 sidelites and arches.

NOTE: For engineering approval contact your Milgard representative for any configuration over 40 square feet. Each Milgard Manufacturing plant reserves the right to alter or change sizes and configurations according to location capabilities. Ask your Milgard rep about specialty applications. Windows over 40 square feet shipped open for field glazing. Varies by location.

Not all frame styles available at all Milgard locations. Contact your Milgard Representative for more information.

Drawings - Quick Links

French In-Swing Patio Door

202—X 1-3/8" Setback 4-9/16" Wall Condition

203—X 1-3/8" Setback 6-9/16" Wall Condition

204—XX 1-3/8" Setback 4-9/16" Wall Condition

French Out-Swing Patio Door

205—X 1-3/8" Setback 4-9/16" Wall Condition

206—X 1-3/8" Setback 6-9/16" Wall Condition

207—XX 1-3/8" Setback 4-9/16" Wall Condition

Revit, SketchUp, .PDF and .DWG files can be accessed at
milgard.com/professionals/technical-resources

French In-Swing Patio Door

X 1-3/8" Setback 4-9/16" Wall Condition

CAD File Scale
NTS

View
Horizontal & Vertical

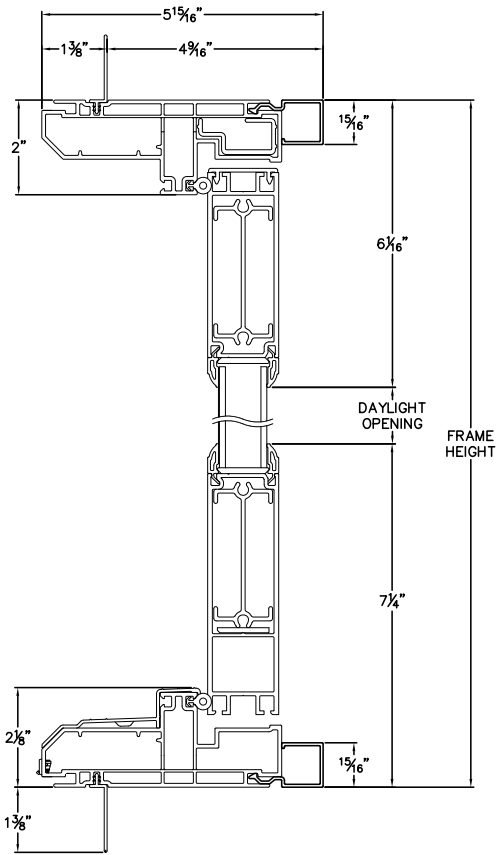
File Name
8642 VIS_X_1375in

Units
Inch

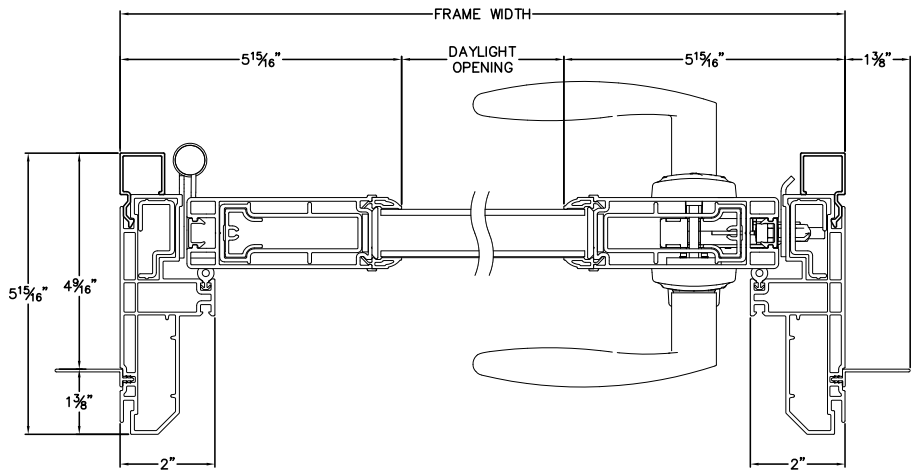
More Technical Documents can be found at milgard.com/professionals

Due to continual research and development, details may be changed at any time. ©2013 Milgard Mfg.

INSWING DOOR SERIES 8642



HEAD & SILL



JAMBS

Revit, SketchUp, .PDF and .DWG files can be accessed at
milgard.com/professionals/technical-resources

[Go back to Quick Links](#)

French In-Swing Patio Door

X 1-3/8" Setback 6-9/16" Wall Condition

CAD File Scale
NTS

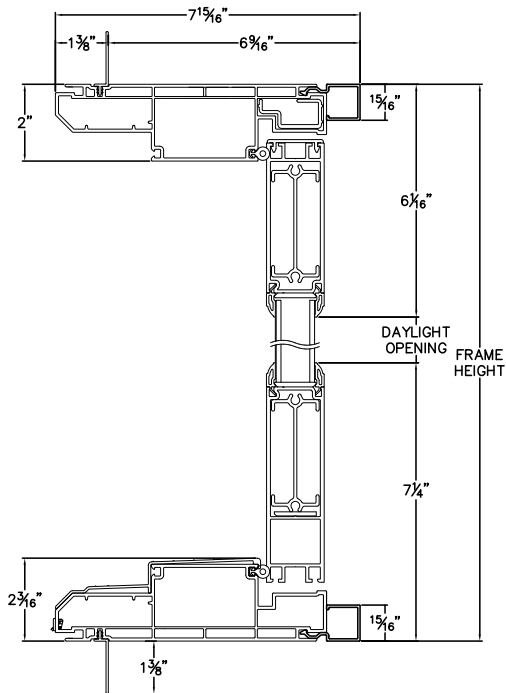
View
Horizontal & Vertical

File Name
8662 VIS_X_1375in

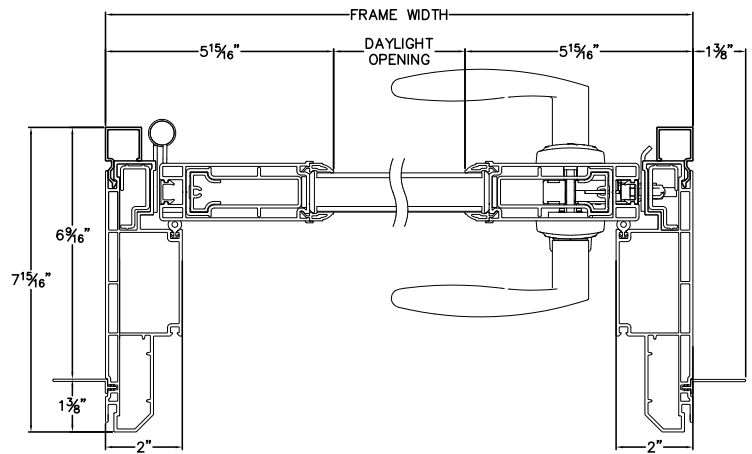
Units
Inch

More Technical Documents can be found at milgard.com/professionals
Due to continual research and development, details may be changed at any time. ©2013 Milgard Mfg.

INSWING DOOR SERIES 8662



HEAD & SILL



JAMBS

Revit, SketchUp, .PDF and .DWG files can be accessed at
milgard.com/professionals/technical-resources

[Go back to Quick Links](#)

French In-Swing Patio Door

XX 1-3/8" Setback 4-9/16" Wall Condition

CAD File Scale
NTS

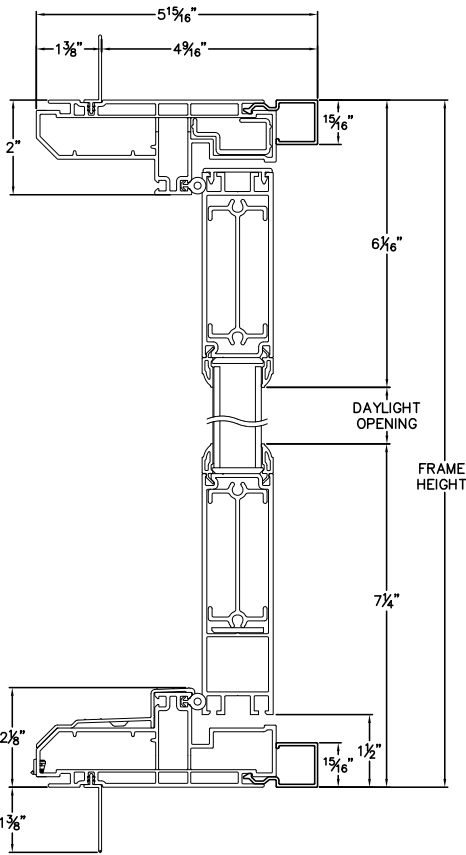
View
Horizontal & Vertical

File Name
8642 VIS_XX_1375in

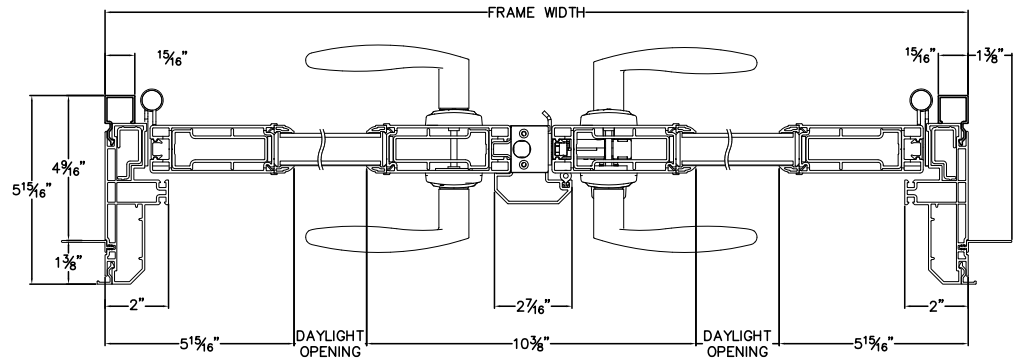
Units
Inch

More Technical Documents can be found at milgard.com/professionals
Due to continual research and development, details may be changed at any time. ©2013 Milgard Mfg.

INSWING DOOR SERIES 8642



HEAD & SILL



JAMBS

Revit, SketchUp, .PDF and .DWG files can be accessed at
milgard.com/professionals/technical-resources

[Go back to Quick Links](#)

French Out-Swing Patio Door

X 1-3/8" Setback 4-9/16" Wall Condition

CAD File Scale
NTS

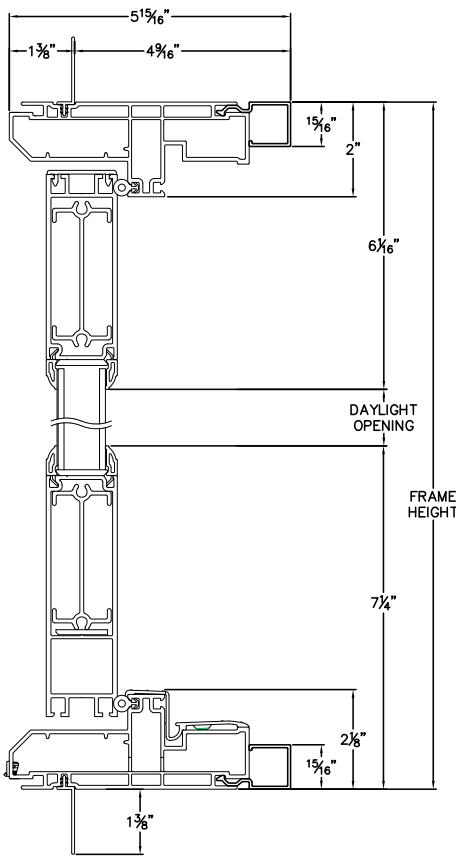
View
Horizontal & Vertical

File Name
8643 VOS_X_1375in

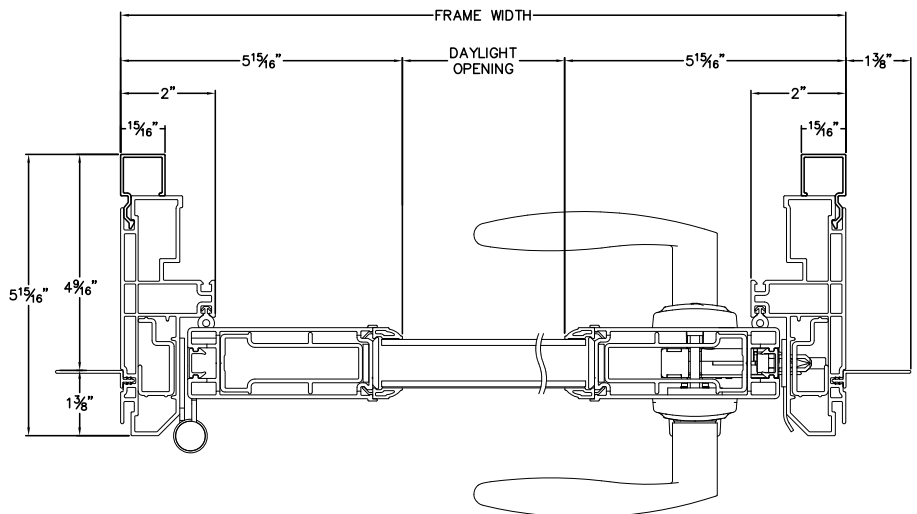
Units
Inch

More Technical Documents can be found at milgard.com/professionals
Due to continual research and development, details may be changed at any time. ©2013 Milgard Mfg.

OUTSWING DOOR SERIES 8643



HEAD & SILL



JAMBS

Revit, SketchUp, .PDF and .DWG files can be accessed at
milgard.com/professionals/technical-resources

[Go back to Quick Links](#)

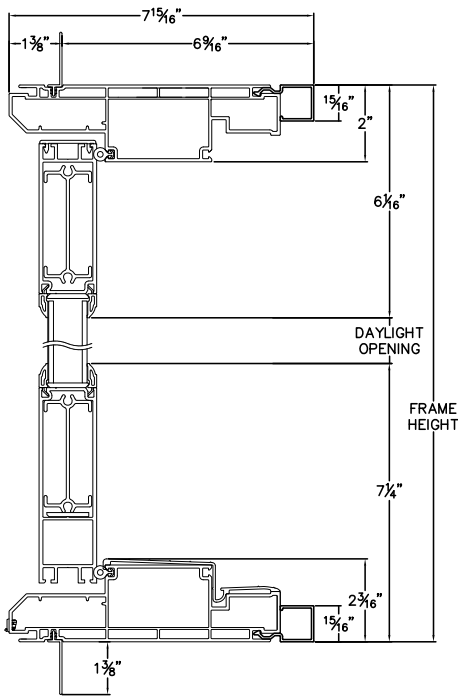
French Out-Swing Patio Door

X 1-3/8" Setback 6-9/16" Wall Condition

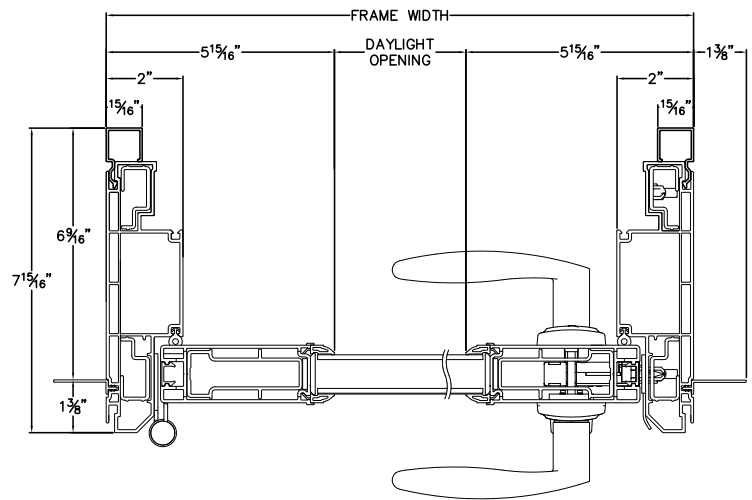
CAD File Scale	View	File Name	Units
NTS	Horizontal & Vertical	8663 VOS_X_1375in	Inch

More Technical Documents can be found at milgard.com/professionals
Due to continual research and development, details may be changed at any time. ©2013 Milgard Mfg.

OUTSWING DOOR SERIES 8663



HEAD & SILL



JAMBS

Revit, SketchUp, .PDF and .DWG files can be accessed at
milgard.com/professionals/technical-resources

[Go back to Quick Links](#)

French Out-Swing Patio Door

XX 1-3/8" Setback 4-9/16" Wall Condition

CAD File Scale
NTS

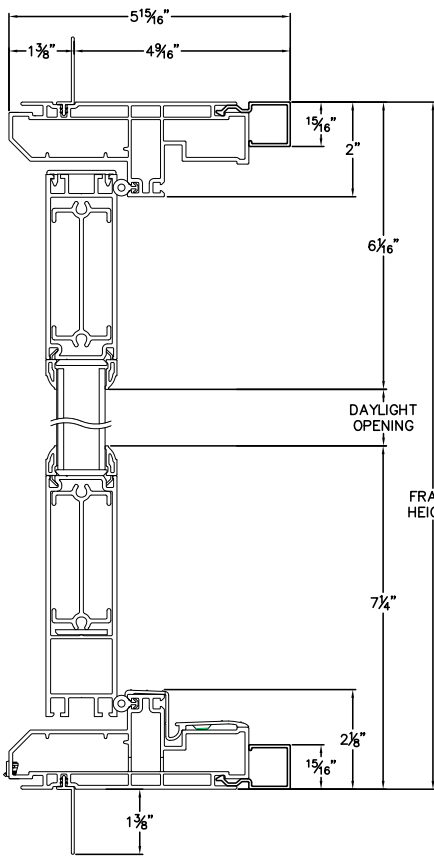
View
Horizontal & Vertical

File Name
8643 VOS_XX_1375in

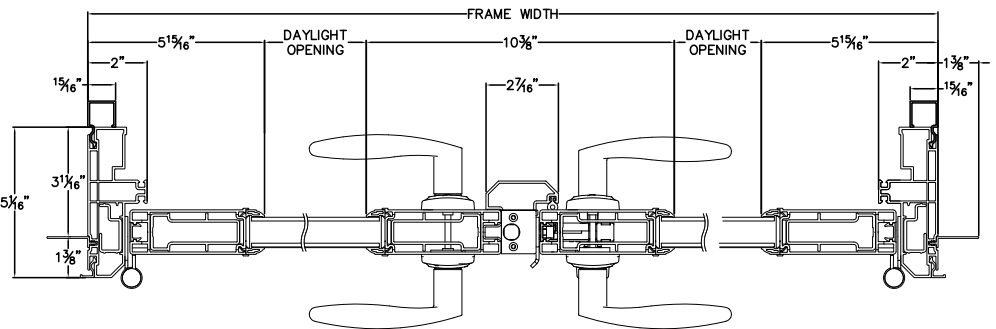
Units
Inch

More Technical Documents can be found at milgard.com/professionals
Due to continual research and development, details may be changed at any time. ©2013 Milgard Mfg.

OUTSWING DOOR SERIES 8643



HEAD & SILL



JAMBS

Revit, SketchUp, .PDF and .DWG files can be accessed at
milgard.com/professionals/technical-resources

[Go back to Quick Links](#)