

STYLE LINE[®] SERIES

V250

Vinyl Windows

Architectural Manual



Instructions on how to use this manual:

This document has been designed for easy navigation and to quickly click to the section you need. Here's some important tips on using this document:

- Any item printed in **red**, will click through to the corresponding item.
- Click to any item in the Table of Contents on **page 3**. Click on the Milgard logo at the top of any page to return to the Table of Contents - FULL MANUAL ONLY.
- From each section's Quick Links page, click to any Drawing listed.
- From any Drawing page, click the "Go Back to Quick Links" box on the bottom right of the page to return to the list of drawings.
- Click on the links on the bottom of the page to go to Revit, SketchUp . PDF and .DWG files. Please note that you must have internet access for these links and you will be re-directed to the Milgard site.
- This document can also be navigated from Adobe Acrobat Bookmarks.

Revit, SketchUp, .PDF and .DWG files can be accessed
at **milgard.com** or clicking here:

[Technical Resources](#)

Contents

COMPONENTS _____ **4**

- Frame _____ 4
- Nail-On Fin _____ 4
- Weep System _____ 4
- Glazing Material _____ 4
- Vent Panel _____ 4
- Weatherstripping _____ 5
- Roller Assembly _____ 5
- Locking Assembly _____ 5
- Screen _____ 5
- Energy Packages _____ 5

OPTIONS _____ **5**

- Grids _____ 5
- Glass _____ 5

Window Hardware _____ **6**

Exterior Finishes _____ **7**

Warranty _____ **8**

Awning Window _____ **9**

- Configurations _____ 10
- Minimum/Maximum Sizes _____ 10
- Available Frame Styles _____ 10
- Drawings - Quick Links _____ 11
- Awning Window _____ 12

Casement Window _____ **22**

- Configurations _____ 23
- Minimum/Maximum Sizes _____ 23
- Available Frame Styles _____ 23
- Drawings - Quick Links _____ 24
- Casement Window _____ 25

Horizontal Sliding Window _____ **41**

- Configurations _____ 42
- Minimum/Maximum Sizes _____ 42
- Available Frame Styles _____ 42
- Drawings - Quick Links _____ 43
- Horizontal Sliding Window _____ 44
- Double Vent Horizontal Sliding Window _____ 53

Picture and Radius Window _____ **54**

- Configurations _____ 55
- Minimum/Maximum Sizes _____ 55
- Available Frame Styles _____ 55
- Drawings - Quick Links _____ 56
- Picture/Radius Window _____ 57

Single Hung Window _____ **67**

- Configurations _____ 68
- Minimum/Maximum Sizes _____ 68
- Available Frame Styles _____ 68
- Drawings - Quick Links _____ 69
- Single Hung Window _____ 70

About Style Line® Series | V250

The Style Line series vinyl (PVC) window blends the energy efficiency and low maintenance of vinyl with the clean lines and low profile appearance of an aluminum window.

The result is a window with maximum glass area. Available in white, tan, and adobe (select regions), as well as premium painted exteriors. The windows will maintain their color and shape and can be constructed to your exact size specifications, subject to review.

COMPONENTS

Frame

Frame components are made from high performance polyvinyl chloride, available in white or tan, with adobe available in select regions or premium painted upgrade window frames. The Style Line series is designed to offer a low profile appearance, ideal for contemporary homes or whenever maximum glazing area is desired. Mitered corners are precision welded resulting in an air and water tight seal.

Standard frame depth is 2-7/8", ideal for both new construction and or use as a replacement window.

Nail-On Fin

A 1-1/16" pre-punched nail flange extends around the perimeter frame, securing the window in rough openings and acting as a part of the flashing system. The nailing fin may be removed as needed

for particular block frame applications. Fin setbacks are available in 1-3/8" from outside of frame; also in 1" for our SW locations using 3 coat stucco applications (not available at all locations).

Weep System

Hollow sill construction and offset weep holes that release any accumulated moisture from track and help prevent blow back, or water seeping to the interior caused by a combination of wind and rain.

Glazing Material

AAMA approved glazing tape adheres glass to the fixed panel frame which seals and cushions the glass. Rigid vinyl setting blocks are used to support the unit above the sill, preventing glass slippage. Extruded vinyl glazing (snap-in) bead is applied around the exterior edge.

Glass insulating dual glazed panes, 3/4" in overall thickness (1" overall on picture frame), are butyl sealed for energy efficiency. Specialty glass options are available upon request.

Vent Panel

The vent panel has an "L" shaped lip that fully interlocks with the vertical meeting rail, adding security and preventing air and water penetration. Its roller assembly rides on a monorail track for easy operation and durability. This raised track in the frame sill helps keep the vent panel free from interference by foreign particles that may collect in the sill.

Weatherstripping

Silicone-treated water-repellent polypropylene fin seal weatherstripping provides a durable, weather tight seal. This weatherstripping is installed in an integral, continuous keyway around three sides of the vent panel and interlock.

Roller Assembly

Self-lubricating, wear resistant, dual nylon rollers provide flexible, free-wheeling, smooth and silent operation. The adjustable rollers are engineered for reduction of friction and elimination of torque on the vent frame.

Locking Assembly

A Positive Action™ lock mechanism provides security and a tighter seal. The lock engages when the window is closed.

Screen

Screen frames are cambered aluminum, reinforced with rigid plastic corner clips. Screens come standard with matching frame color.

The fiberglass charcoal screen mesh is strong, durable and easy to replace. Two plastic pulls located on the screen allow you to install from inside or outside of house.

Energy Packages

Milgard adheres to ENERGY STAR® v6 requirements to meet or exceed U-Factor and Solar Heat Gain Coefficient (SHGC) criteria for all ENERGY STAR® zones.

Milgard also offers high energy performance options for the ultimate in energy efficiency. Energy efficient windows could include one or more of the

following features based on your climate.

- SunCoat® or SunCoatMAX®
- EdgeGardMAX®
- Argon
- 4th Surface

For more details on Milgard Energy Efficient packages, visit www.milgard.com/learn/energy-efficiency/energy-efficient-components

To check the energy performance of all Milgard windows and doors, use our Energy Calculator at:

milgard.com/energy-calculator

OPTIONS

Grids

Available in 5/8" flat. Color-matched to frame.

1-1/16" sculptured grid available in select markets – check with your Milgard representative.

Glass

Refer to glass section. Many more options are available. Please check with your Milgard Representative.

Caution: The use of petroleum based fuels or solvents as release agents in stucco wall installations or glass cleaning will chemically attack materials used in seals and other components, and voids the Milgard Warranty. The use of wax based release agents is recommended.

Expanding foam for insulation purposes should not be used.

Window Hardware



Single Hung and Horizontal Slider

Positive Action™ Lock – Closes and locks window securely in one action.



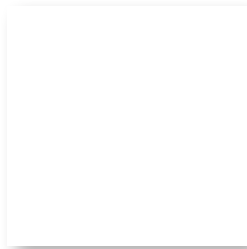
Casement and Awning

Standard Handle with Sash Lock



Exterior Finishes

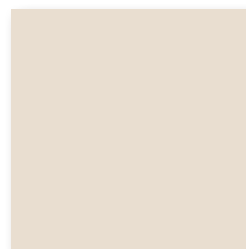
Standard - Matching interior



White



Tan



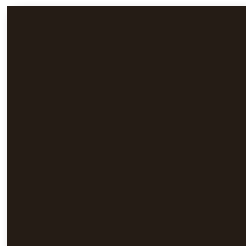
Adobe

(available in select regions)

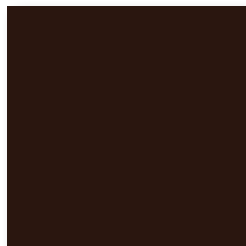
Painted - White interior only



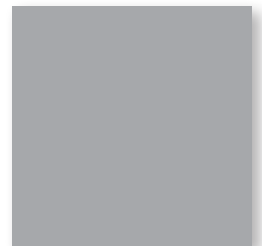
Bronze



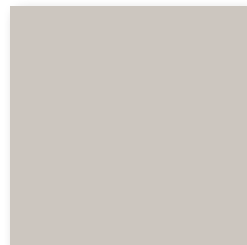
Espresso



Classic Brown



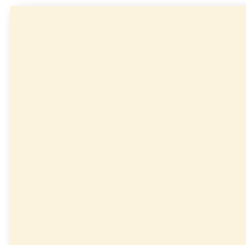
Silver



Fog



Sand



Ivory

Warranty

We have a dedication to quality and build our windows to last. With Style Line® Series, you're covered for as long as you own your home with our Lifetime Limited Warranty. Full Lifetime Warranty also available as an optional upgrade for a fee and must be selected at time of purchase.

For complete warranty details, visit milgard.com/warranty.

Why Milgard?

Quality

Milgard offers award-winning windows and patio doors built for long-lasting comfort. For over 50 years, industry experts have consistently recognized Milgard as a trusted brand. By producing our vinyl and fiberglass frame materials in-house, we can more closely monitor for quality control. Milgard windows and patio doors stand up, while standing out.

Experience

Since 1962, Milgard Windows & Doors has designed and assembled superior, top quality windows and patio doors. Milgard engineers are known for their industry-leading designs using patented technologies. Whatever your project calls for, Milgard has the right product that can beautifully reflect your vision. From new construction to home remodeling, all Milgard windows and doors are custom made to your exact specifications.

Service

We serve the Western U.S. and Canada with a dozen full-service facilities and customer care centers. Our belief is that by being close to our customers, we can provide them better service.

Awning Window



The Style Line® Series vinyl (PVC) Awning window blends the energy efficiency and low maintenance of vinyl with clean lines and a narrow profile.

The result is a window with maximum glass area. Available in white, tan, and adobe (select regions), as well as premium painted exteriors. The windows will maintain their color and shape and can be constructed to your exact size specifications.

Please also see:

[Components](#)

[Options](#)

[Hardware](#)

[Painted Exterior Finishes](#)

[Lifetime Limited Warranty](#)

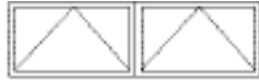


Awning Window

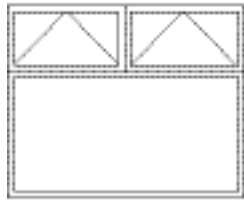
Configurations



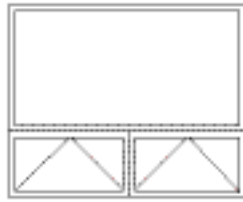
Full Awning



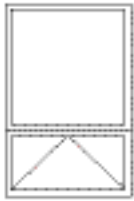
Double Awning



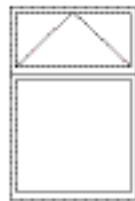
Double top Awning



Double bottom Awning



Bottom Awning



Top Awning

Minimum/Maximum Sizes

Full Awning

- Min 1⁶1⁶ Max 4⁰3⁰

Double Awning

- Min 3⁰1⁶ Max 8⁰3⁰

Double Top Awning

- Min 3⁰2⁶ Max 8⁰6⁰

Double Bottom Awning

- Min 3⁰2⁶ Max 8⁰8⁰

Bottom Awning

- Min 1⁶3⁰ Max 4⁰8⁰

Top Awning

- Min 1⁶3⁰ Max 4⁰8⁰

Fixed Awning

- Min 1⁶1⁶ Max 4⁰3⁰

Available Frame Styles

- 1-3/8" Fin Setback
- 1" Fin Setback with J-channel
- 1" Fin Setback with Stucco Key
- 1-1/2" Contour Z-bar
- Block Frame (no fin)

NOTE: For engineering approval contact your Milgard representative for any configuration over 40 square feet. Each Milgard Manufacturing plant reserves the right to alter or change sizes and configurations according to location capabilities. Ask your Milgard rep about specialty applications. Windows over 40 square feet shipped open for field glazing. Varies by location.

Not all frame styles available at all Milgard locations. Contact your Milgard Representative for more information.

Drawings - Quick Links

Awning Window

- 12—Full Awning - 1-3/8" Fin Setback
- 13—Bottom Awning - 1-3/8" Fin Setback
- 14—Double Awning - 1-3/8" Fin Setback
- 15—Full Awning - 1" Fin Setback with 3/4" flat J-channel
- 16—Double Awning - 1" Fin Setback with 3/4" flat J-channel
- 17—Full Awning - 1" Fin Setback with stucco key
- 18—Double Awning - 1" Fin Setback with stucco key
- 19—Awning - 1-3/8" Fin Setback with stucco key
- 20—Full Awning - 1-1/2" Contour Z-bar
- 21—Double Awning - 1-1/2" Contour Z-bar

Revit, SketchUp, .PDF and .DWG files can be accessed at
milgard.com/professionals/technical-resources

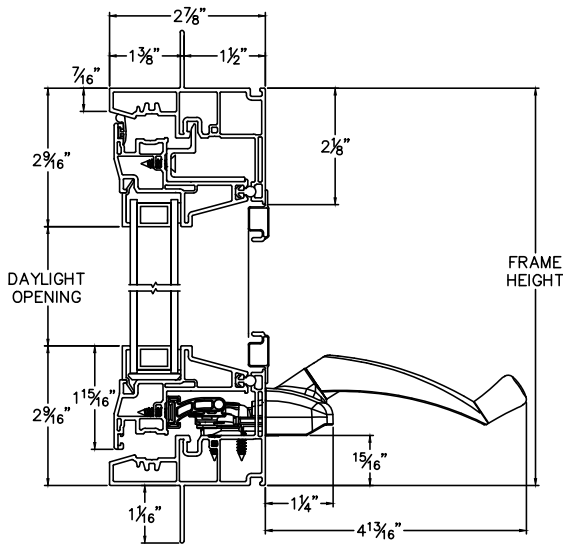
Awning Window

Full Awning - 1-3/8" Fin Setback

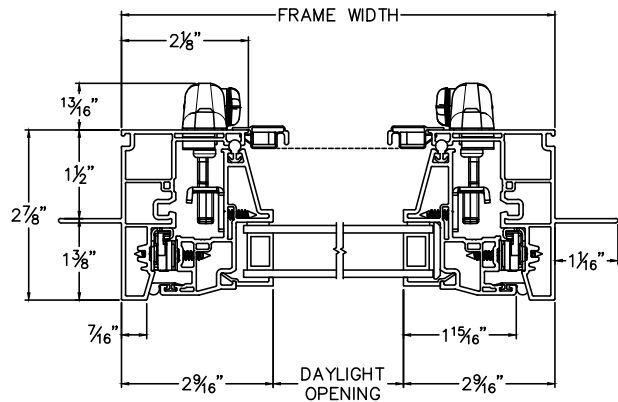
| CAD File Scale | View | File Name | Units |
|----------------|-----------------------|-----------|-------|
| NTS | Horizontal & Vertical | 6410-01A | Inch |

More Technical Documents can be found at milgard.com/professionals
Due to continual research and development, details may be changed at any time. ©2013 Milgard Mfg.

AWNING SERIES 6410



HEAD & SILL



JAMBS

Revit, SketchUp, .PDF and .DWG files can be accessed at milgard.com/professionals/technical-resources

[Go back to Quick Links](#)

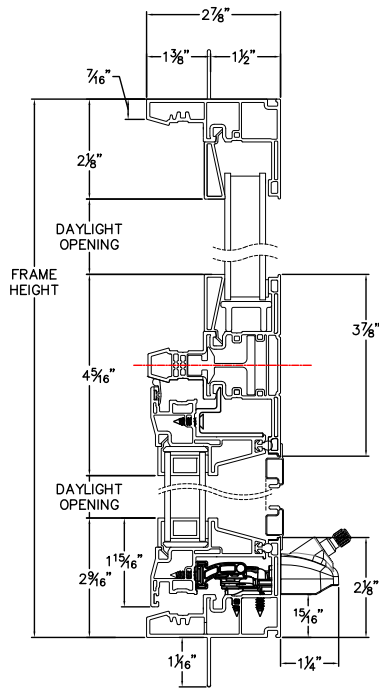
Awning Window

Bottom Awning - 1-3/8" Fin Setback

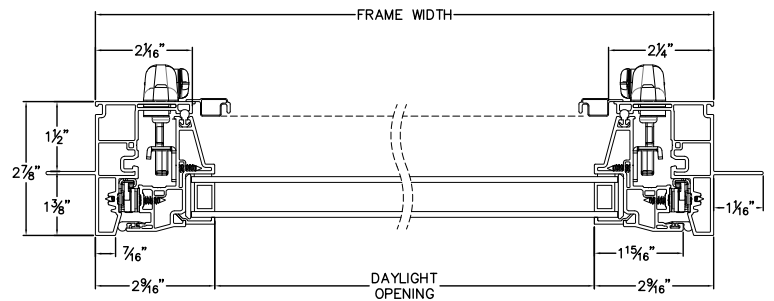
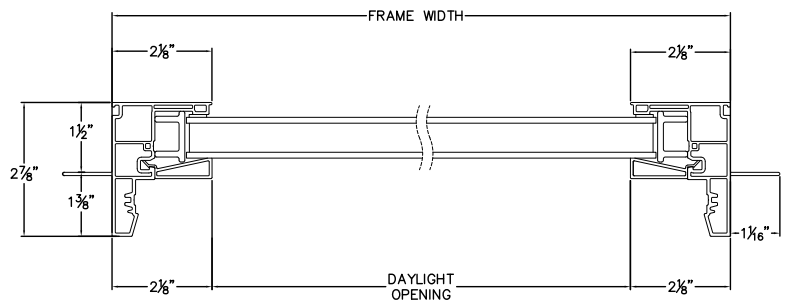
| CAD File Scale | View | File Name | Units |
|----------------|-----------------------|---------------------------|-------|
| NTS | Horizontal & Vertical | StyleLine_6410_BA_1.375in | Inch |

More Technical Documents can be found at milgard.com/professionals
Due to continual research and development, details may be changed at any time. ©2013 Milgard Mfg.

BOTTOM AWNING SERIES 6410



HEAD & SILL



JAMBS

Revit, SketchUp, .PDF and .DWG files can be accessed at milgard.com/professionals/technical-resources

[Go back to Quick Links](#)

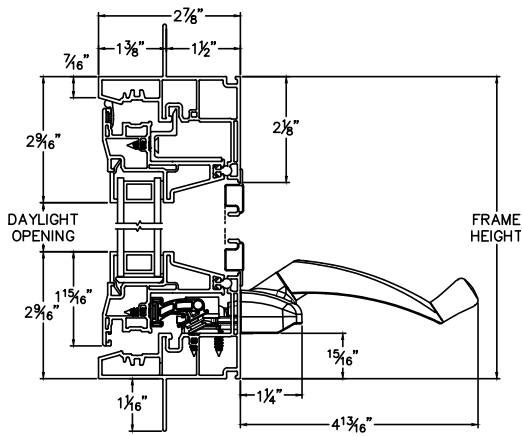
Awning Window

Double Awning - 1-3/8" Fin Setback

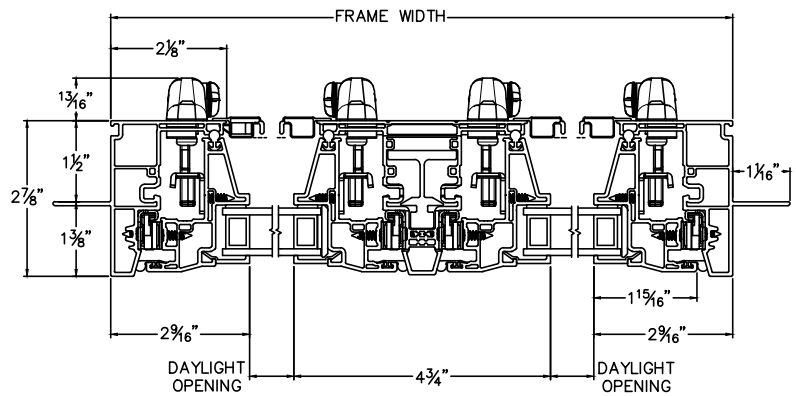
| CAD File Scale | View | File Name | Units |
|----------------|-----------------------|-----------|-------|
| NTS | Horizontal & Vertical | 6410-02A | Inch |

More Technical Documents can be found at milgard.com/professionals
Due to continual research and development, details may be changed at any time. ©2013 Milgard Mfg.

DOUBLE AWNING SERIES 6410



HEAD & SILL



JAMBS

Revit, SketchUp, .PDF and .DWG files can be accessed at milgard.com/professionals/technical-resources

[Go back to Quick Links](#)

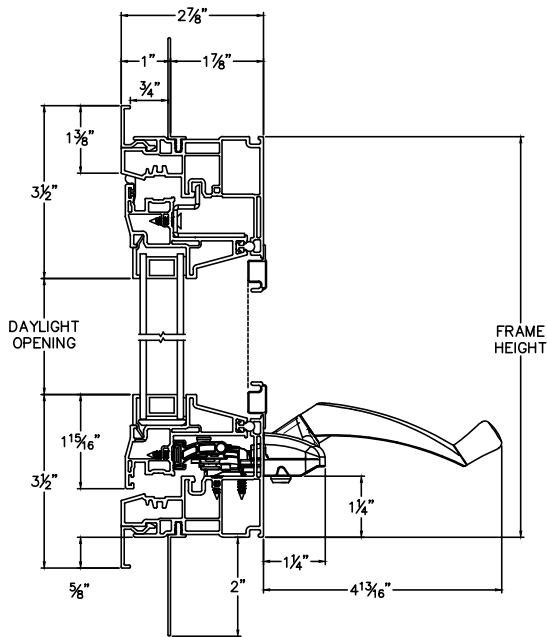
Awning Window

Full Awning - 1" Fin Setback with 3/4" flat J-channel

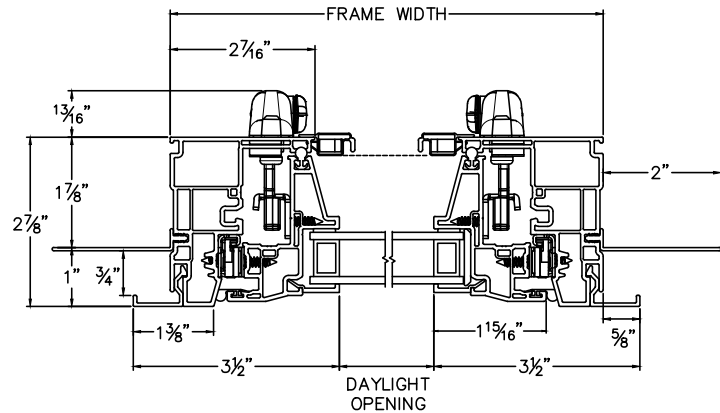
| CAD File Scale | View | File Name | Units |
|----------------|-----------------------|-----------|-------|
| NTS | Horizontal & Vertical | 6430-01JA | Inch |

More Technical Documents can be found at milgard.com/professionals
Due to continual research and development, details may be changed at any time. ©2013 Milgard Mfg.

AWNING SERIES 6430



HEAD & SILL



JAMBS

Revit, SketchUp, .PDF and .DWG files can be accessed at milgard.com/professionals/technical-resources

[Go back to Quick Links](#)

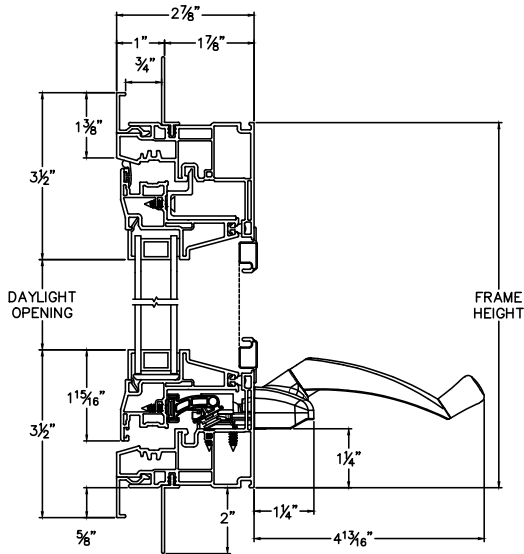
Awning Window

Double Awning - 1" Fin Setback with 3/4" flat J-channel

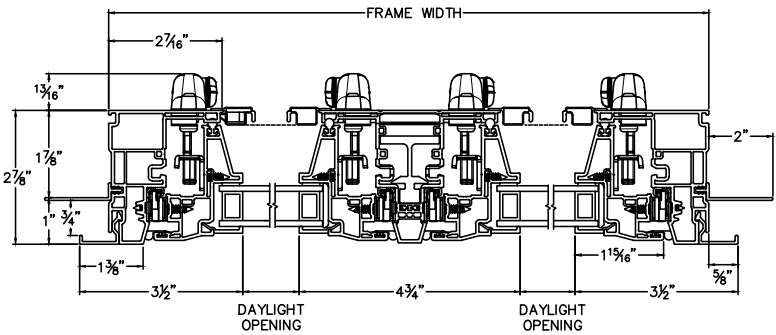
| CAD File Scale | View | File Name | Units |
|----------------|-----------------------|-----------|-------|
| NTS | Horizontal & Vertical | 6430-02JA | Inch |

More Technical Documents can be found at milgard.com/professionals
Due to continual research and development, details may be changed at any time. ©2013 Milgard Mfg.

DOUBLE AWNING SERIES 6430



HEAD & SILL



JAMBS

Revit, SketchUp, .PDF and .DWG files can be accessed at milgard.com/professionals/technical-resources

[Go back to Quick Links](#)

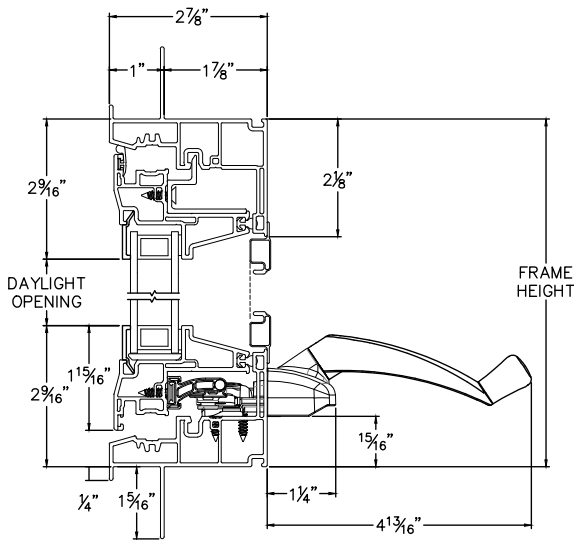
Awning Window

Full Awning - 1" Fin Setback with stucco key

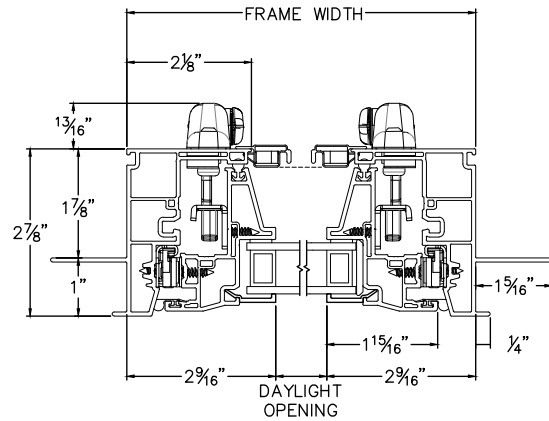
| CAD File Scale | View | File Name | Units |
|----------------|-----------------------|-----------|-------|
| NTS | Horizontal & Vertical | 6430-01A | Inch |

More Technical Documents can be found at milgard.com/professionals
Due to continual research and development, details may be changed at any time. ©2013 Milgard Mfg.

AWNING SERIES 6430



HEAD & SILL



JAMBS

Revit, SketchUp, .PDF and .DWG files can be accessed at milgard.com/professionals/technical-resources

[Go back to Quick Links](#)

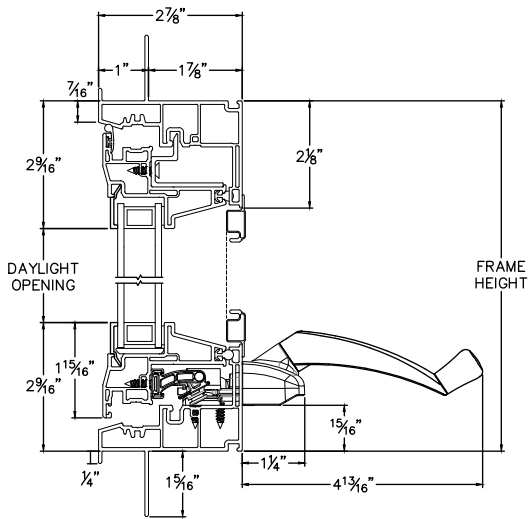
Awning Window

Double Awning - 1" Fin Setback with stucco key

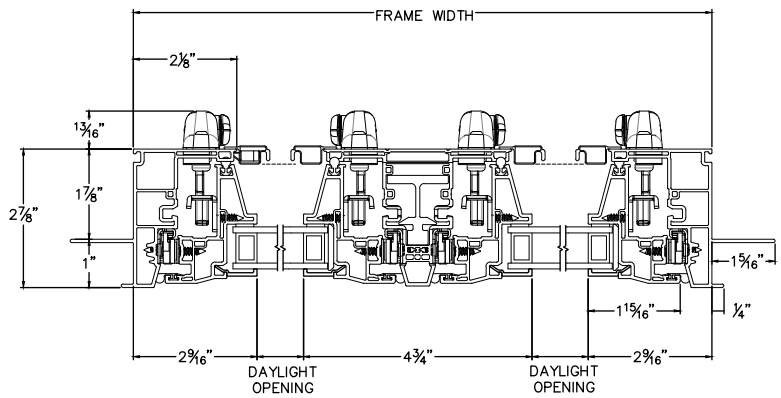
| CAD File Scale | View | File Name | Units |
|----------------|-----------------------|-----------|-------|
| NTS | Horizontal & Vertical | 6430-02A | Inch |

More Technical Documents can be found at milgard.com/professionals
Due to continual research and development, details may be changed at any time. ©2013 Milgard Mfg.

DOUBLE AWNING SERIES 6430



HEAD & SILL



JAMBS

Revit, SketchUp, .PDF and .DWG files can be accessed at milgard.com/professionals/technical-resources

[Go back to Quick Links](#)

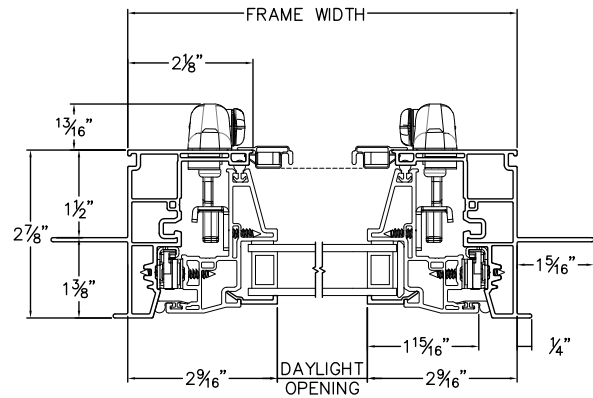
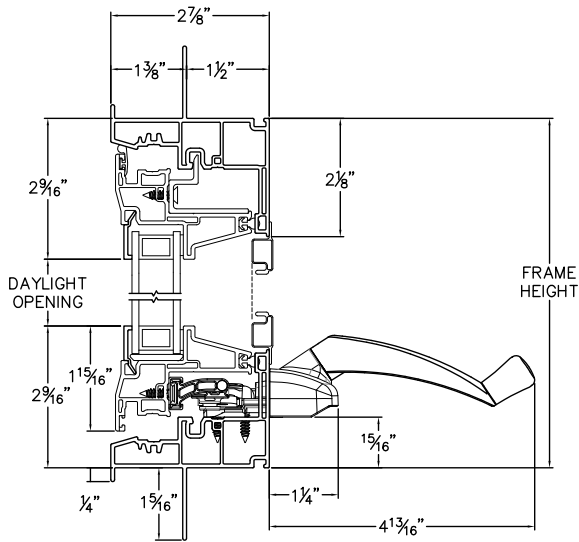
Awning Window

Awning - 1-3/8" Fin Setback with stucco key

| CAD File Scale | View | File Name | Units | Revision |
|----------------|-----------------------|----------------------------------|-------|----------|
| NTS | Horizontal & Vertical | StyleLine_6411_FA_1.375in_stucco | Inch | 6/2015 |

More Technical Documents can be found at milgard.com/professionals
Due to continual research and development, details may be changed at any time. ©2013 Milgard Mfg.

AWNING SERIES 6411



Revit, SketchUp, .PDF and .DWG files can be accessed at milgard.com/professionals/technical-resources

[Go back to Quick Links](#)

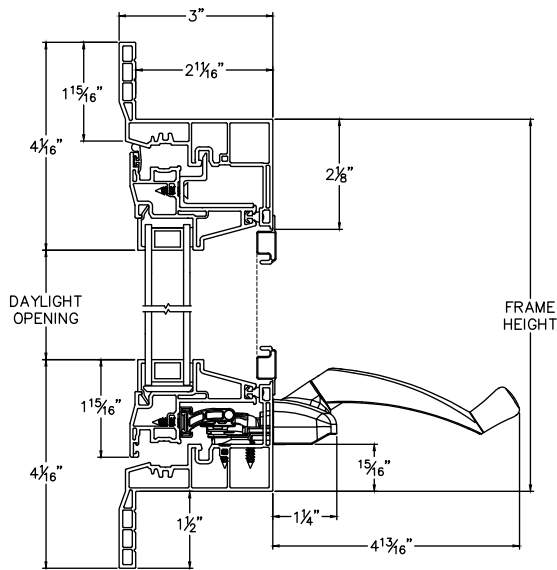
Awning Window

Full Awning - 1-1/2" Contour Z-bar

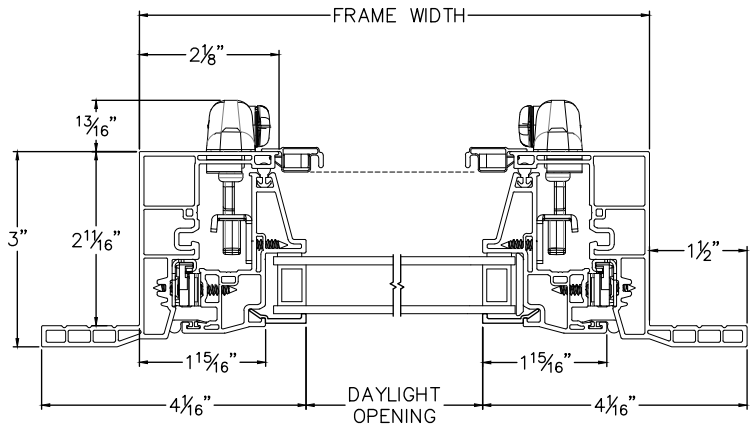
| CAD File Scale | View | File Name | Units |
|----------------|-----------------------|-----------|-------|
| NTS | Horizontal & Vertical | 6470-01A | Inch |

More Technical Documents can be found at milgard.com/professionals
Due to continual research and development, details may be changed at any time. ©2013 Milgard Mfg.

AWNING SERIES 6470



HEAD & SILL



JAMBS

Revit, SketchUp, .PDF and .DWG files can be accessed at
milgard.com/professionals/technical-resources

[Go back to Quick Links](#)

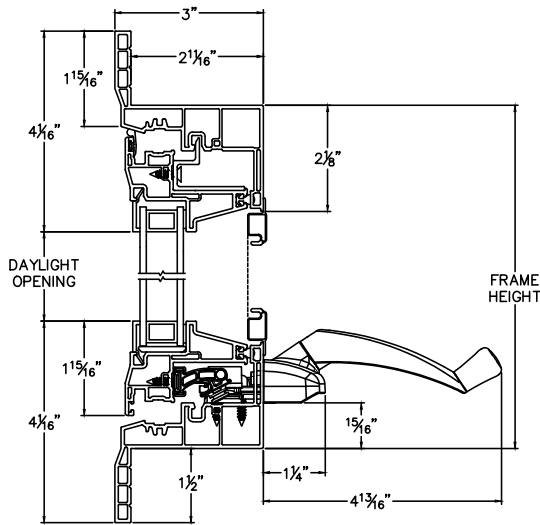
Awning Window

Double Awning - 1-1/2" Contour Z-bar

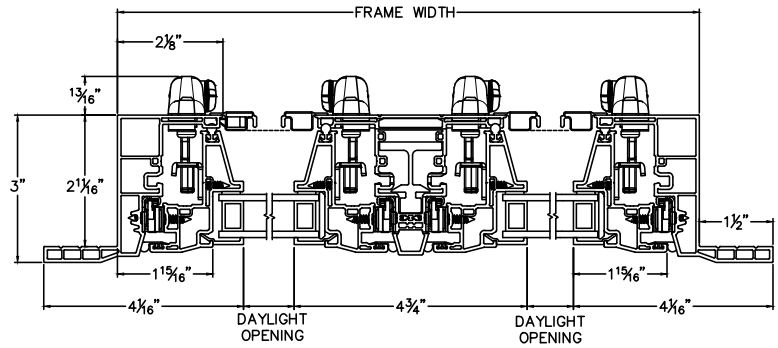
| CAD File Scale | View | File Name | Units |
|----------------|-----------------------|-----------|-------|
| NTS | Horizontal & Vertical | 6470-02A | Inch |

More Technical Documents can be found at milgard.com/professionals
Due to continual research and development, details may be changed at any time. ©2013 Milgard Mfg.

DOUBLE AWNING SERIES 6470



HEAD & SILL



JAMBS

Revit, SketchUp, .PDF and .DWG files can be accessed at
milgard.com/professionals/technical-resources

[Go back to Quick Links](#)

Casement Window



The Style Line® Series vinyl (PVC) Casement window blends the energy efficiency and low maintenance of vinyl with clean lines and a narrow profile.

The result is a window with maximum glass area. Available in white, tan, and adobe (select regions), as well as premium painted exteriors. The windows will maintain their color and shape and can be constructed to your exact size specifications.

Please also see:

[Components](#)

[Options](#)

[Hardware](#)

[Painted Exterior Finishes](#)

[Lifetime Limited Warranty](#)

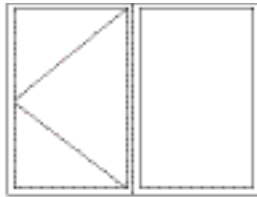


Casement Window

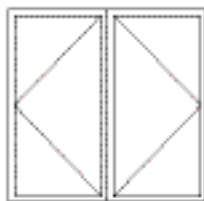
Configurations



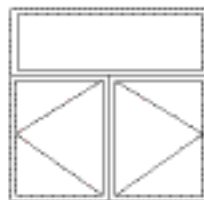
Full Casement



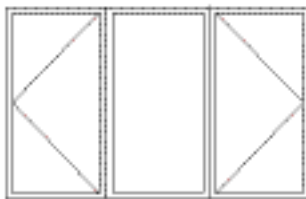
Single Casement



Double Casement



Double bottom Casement



Double Casement/Picture

Minimum/Maximum Sizes

Full Casement

- Min 1'6" Max 3'6"

Single Casement

- Min 3'0" Max 8'5"

Fixed Casement

- Min 1'6" Max 3'6"

Double Casement

- Min 3'0" Max 6'6"

Double Bottom Casement

- Min 3'0" Max 6'7"

Double Casement Picture

- Min 4'3" Max 10'6"

Available Frame Styles

- 1-3/8" Fin Setback
- 1" Fin Setback with J-channel
- 1" Fin Setback with Stucco Key
- 1-1/2" Contour Z-bar
- 1-1/2" Flat Z-bar
- Block Frame (no fin)

NOTE: For engineering approval contact your Milgard representative for any configuration over 40 square feet. Each Milgard Manufacturing plant reserves the right to alter or change sizes and configurations according to location capabilities. Ask your Milgard rep about specialty applications. Windows over 40 square feet shipped open for field glazing. Varies by location.

Not all frame styles available at all Milgard locations. Contact your Milgard Representative for more information.

Drawings - Quick Links

Casement Window

- 25—Full Casement - 1-3/8" Fin Setback
- 26—Single Casement - 1-3/8" Fin Setback
- 27—Double Casement - 1-3/8" Fin Setback
- 28—Bottom Casement - 1-3/8" Fin Setback
- 29—Double Bottom Casement - 1-3/8" Fin Setback
- 30—Double Top Casement - 1-3/8" Fin Setback
- 31—Double Top Casement, 2 Lites Below - 1-3/8" Fin Setback
- 32—Full Casement - 1" Fin Setback, 3/4" Flat J-channel
- 33—Double Casement - 1" Fin Setback, 3/4" Flat J-channel
- 34—Full Casement - 1" Fin Setback, with Stucco Key
- 35—Single Casement - 1" Fin Setback, with Stucco Key
- 36—Full Casement - 1-3/8" Fin Setback, with Stucco Key
- 37—Double Casement - 1" Fin Setback, with Stucco Key
- 38—Full Casement - 1-1/2" Contour Z-bar
- 39—Double Casement - 1-1/2" Contour Z-bar
- 40—Single Casement - 1-1/2" Z-bar

Revit, SketchUp, .PDF and .DWG files can be accessed at milgard.com/professionals/technical-resources

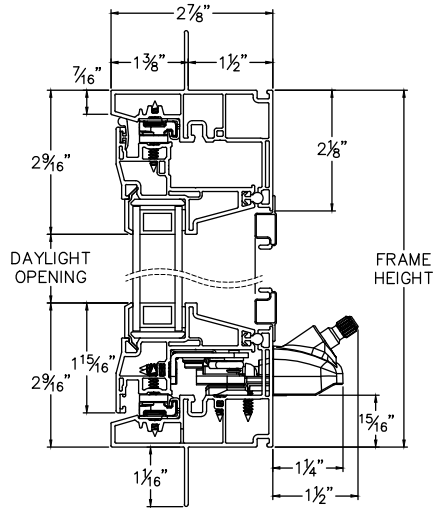
Casement Window

Full Casement - 1-3/8" Fin Setback

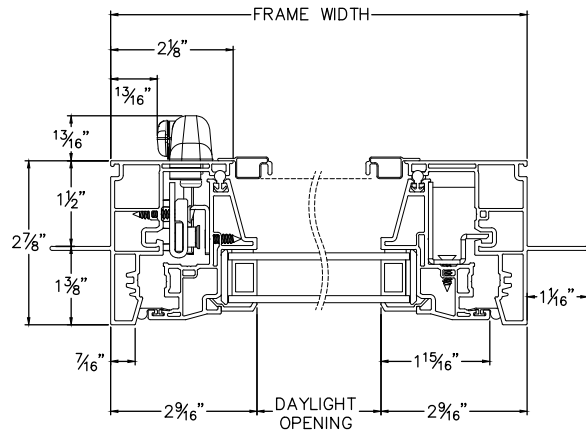
| CAD File Scale | View | File Name | Units |
|----------------|-----------------------|-----------|-------|
| NTS | Horizontal & Vertical | 6510-01FC | Inch |

More Technical Documents can be found at milgard.com/professionals
Due to continual research and development, details may be changed at any time. ©2013 Milgard Mfg.

CASEMENT SERIES 6510



HEAD & SILL



JAMBS

Revit, SketchUp, .PDF and .DWG files can be accessed at milgard.com/professionals/technical-resources

[Go back to Quick Links](#)

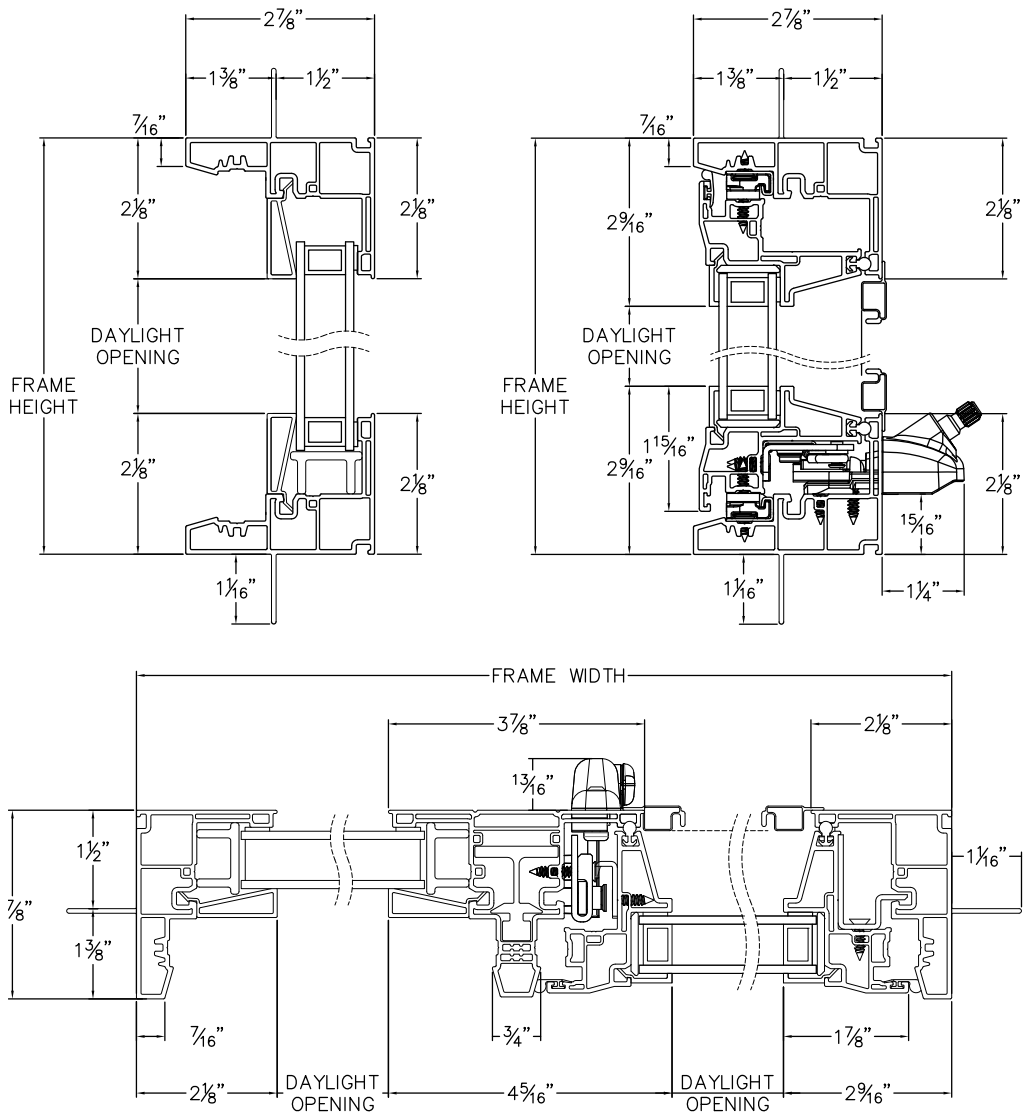
Casement Window

Single Casement - 1-3/8" Fin Setback

| CAD File Scale | View | File Name | Units |
|----------------|-----------------------|---------------------------|-------|
| NTS | Horizontal & Vertical | StyleLine_6510_SC_1.375in | Inch |

More Technical Documents can be found at milgard.com/professionals
Due to continual research and development, details may be changed at any time. ©2013 Milgard Mfg.

CASEMENT SERIES 6510



Revit, SketchUp, .PDF and .DWG files can be accessed at milgard.com/professionals/technical-resources

[Go back to Quick Links](#)

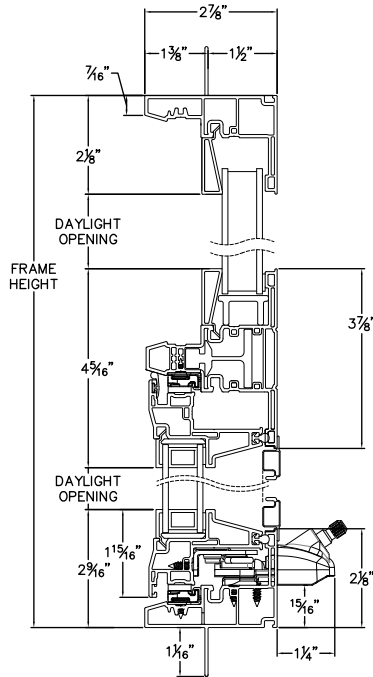
Casement Window

Bottom Casement - 1-3/8" Fin Setback

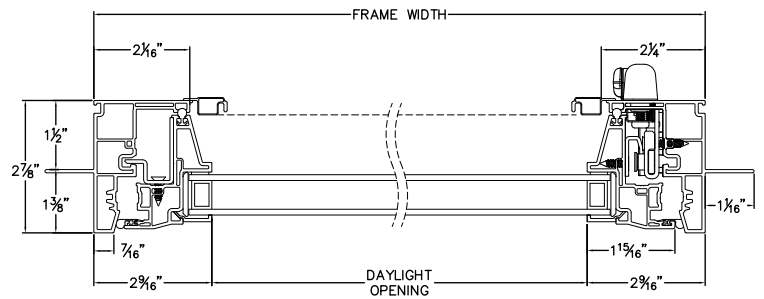
| CAD File Scale | View | File Name | Units |
|----------------|-----------------------|---------------------------|-------|
| NTS | Horizontal & Vertical | StyleLine_6510_BC_1.375in | Inch |

More Technical Documents can be found at milgard.com/professionals
Due to continual research and development, details may be changed at any time. ©2013 Milgard Mfg.

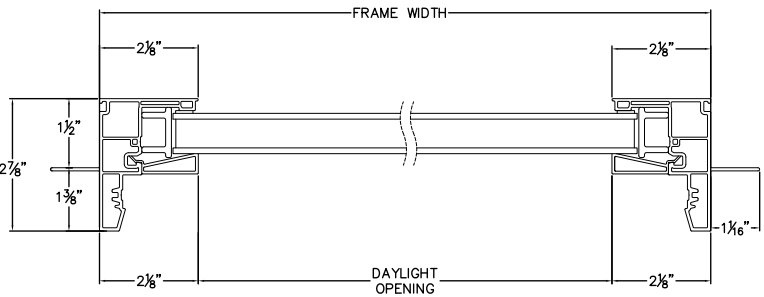
CASEMENT SERIES 6510



HEAD & SILL



JAMBS



Revit, SketchUp, .PDF and .DWG files can be accessed at
milgard.com/professionals/technical-resources

[Go back to Quick Links](#)

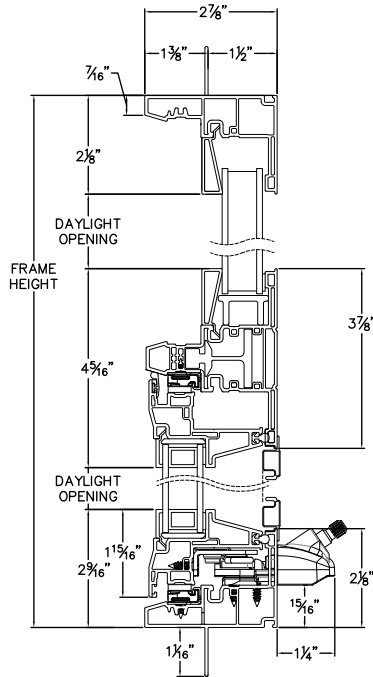
Casement Window

Double Bottom Casement - 1-3/8" Fin Setback

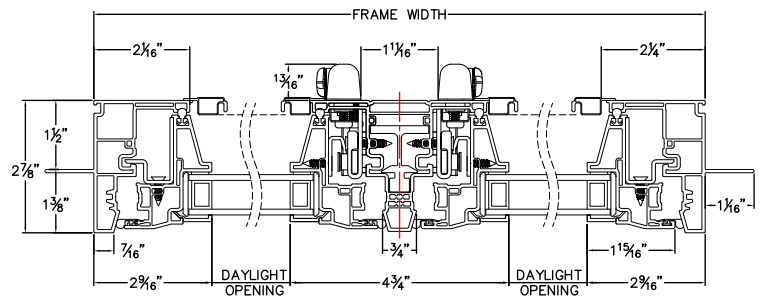
| CAD File Scale | View | File Name | Units |
|----------------|-----------------------|----------------------------|-------|
| NTS | Horizontal & Vertical | StyleLine_6510_DBC_1.375in | Inch |

More Technical Documents can be found at milgard.com/professionals
Due to continual research and development, details may be changed at any time. ©2013 Milgard Mfg.

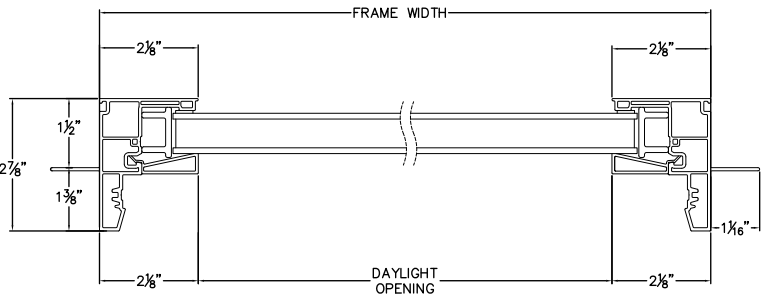
CASEMENT SERIES 6510



HEAD & SILL



JAMBS



Revit, SketchUp, .PDF and .DWG files can be accessed at
milgard.com/professionals/technical-resources

[Go back to Quick Links](#)

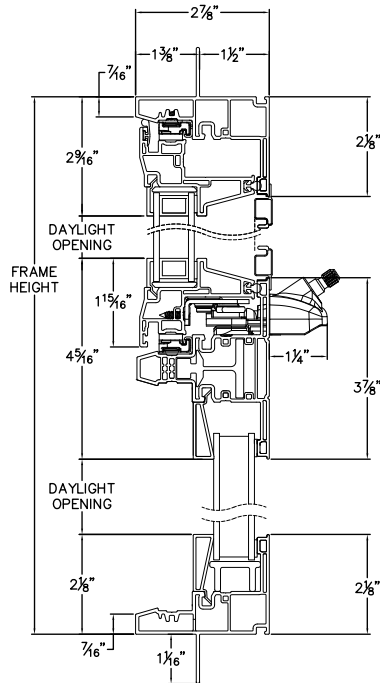
Casement Window

Double Top Casement - 1-3/8" Fin Setback

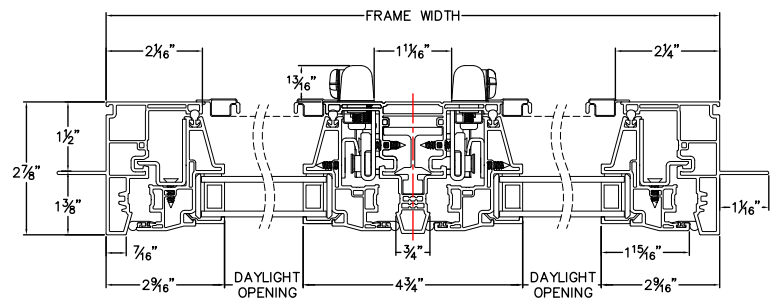
| CAD File Scale | View | File Name | Units |
|----------------|-----------------------|----------------------------|-------|
| NTS | Horizontal & Vertical | StyleLine_6510_DTC_1.375in | Inch |

More Technical Documents can be found at milgard.com/professionals
Due to continual research and development, details may be changed at any time. ©2013 Milgard Mfg.

CASEMENT SERIES 6510



HEAD & SILL



JAMBS

Revit, SketchUp, .PDF and .DWG files can be accessed at milgard.com/professionals/technical-resources

[Go back to Quick Links](#)

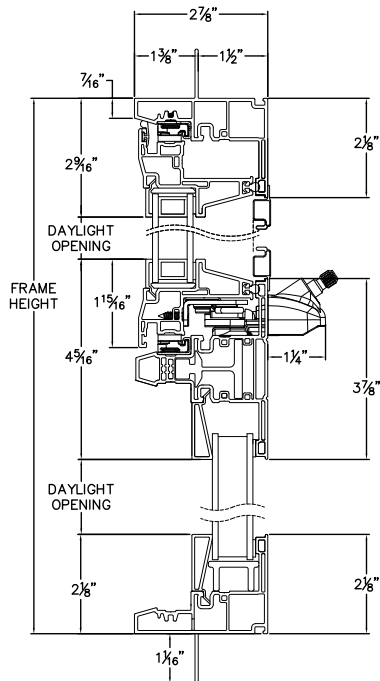
Casement Window

Double Top Casement, 2 Lites Below - 1-3/8" Fin Setback

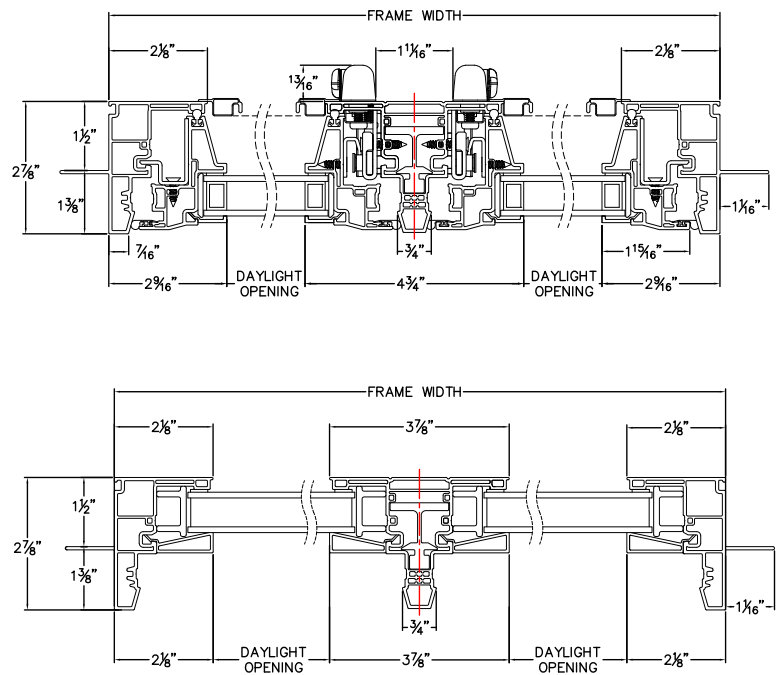
| CAD File Scale | View | File Name | Units |
|----------------|-----------------------|-----------------------------|-------|
| NTS | Horizontal & Vertical | StyleLine_6510_DTC2_1.375in | Inch |

More Technical Documents can be found at milgard.com/professionals
Due to continual research and development, details may be changed at any time. ©2013 Milgard Mfg.

CASEMENT SERIES 6510



HEAD & SILL



JAMBS

Revit, SketchUp, .PDF and .DWG files can be accessed at milgard.com/professionals/technical-resources

[Go back to Quick Links](#)

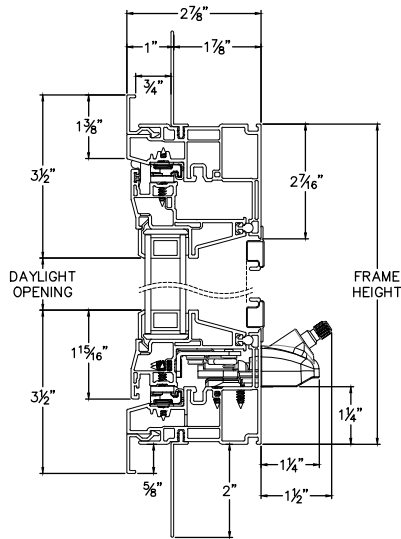
Casement Window

Full Casement - 1" Fin Setback, 3/4" Flat J-channel

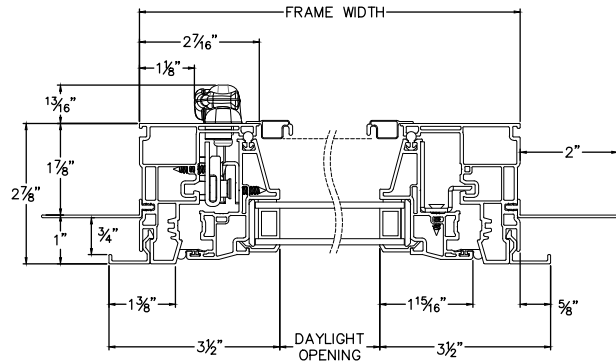
| CAD File Scale | View | File Name | Units |
|----------------|-----------------------|------------|-------|
| NTS | Horizontal & Vertical | 6530-01JFC | Inch |

More Technical Documents can be found at milgard.com/professionals
Due to continual research and development, details may be changed at any time. ©2013 Milgard Mfg.

CASEMENT SERIES 6530J



HEAD & SILL



JAMBS

Revit, SketchUp, .PDF and .DWG files can be accessed at milgard.com/professionals/technical-resources

[Go back to Quick Links](#)

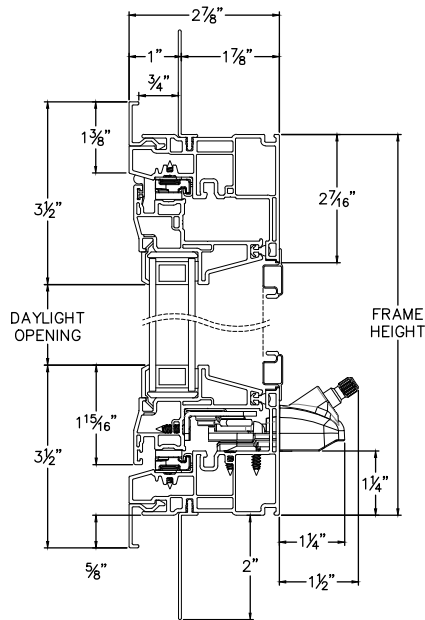
Casement Window

Double Casement - 1" Fin Setback, 3/4" Flat J-channel

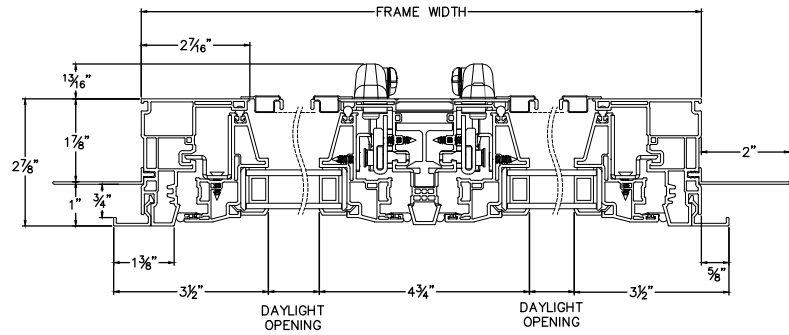
| CAD File Scale | View | File Name | Units |
|----------------|-----------------------|------------|-------|
| NTS | Horizontal & Vertical | 6530-02JFC | Inch |

More Technical Documents can be found at milgard.com/professionals
Due to continual research and development, details may be changed at any time. ©2013 Milgard Mfg.

DOUBLE CASEMENT SERIES 6530J



HEAD & SILL



JAMBS

Revit, SketchUp, .PDF and .DWG files can be accessed at
milgard.com/professionals/technical-resources

[Go back to Quick Links](#)

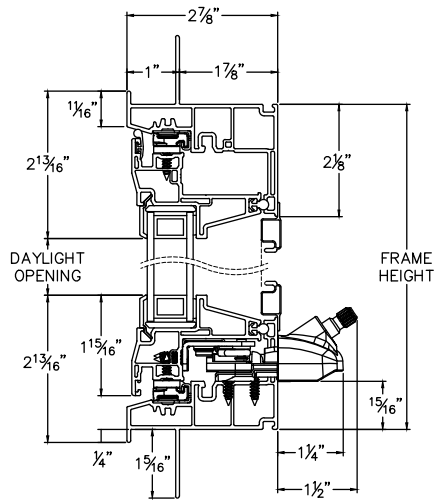
Casement Window

Full Casement - 1" Fin Setback, with Stucco Key

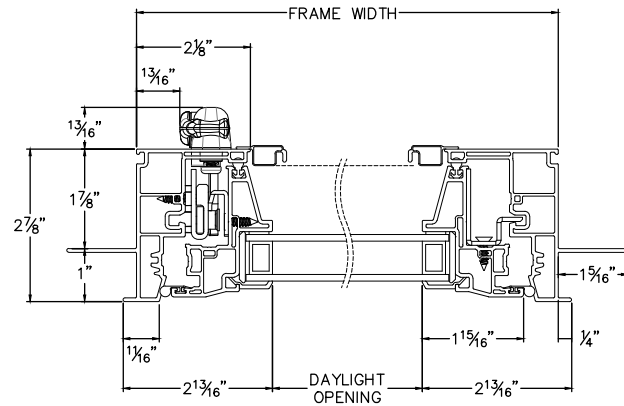
| CAD File Scale | View | File Name | Units |
|----------------|-----------------------|-----------|-------|
| NTS | Horizontal & Vertical | 6530-01FC | Inch |

More Technical Documents can be found at milgard.com/professionals
Due to continual research and development, details may be changed at any time. ©2013 Milgard Mfg.

CASEMENT SERIES 6530



HEAD & SILL



JAMBS

Revit, SketchUp, .PDF and .DWG files can be accessed at milgard.com/professionals/technical-resources

[Go back to Quick Links](#)

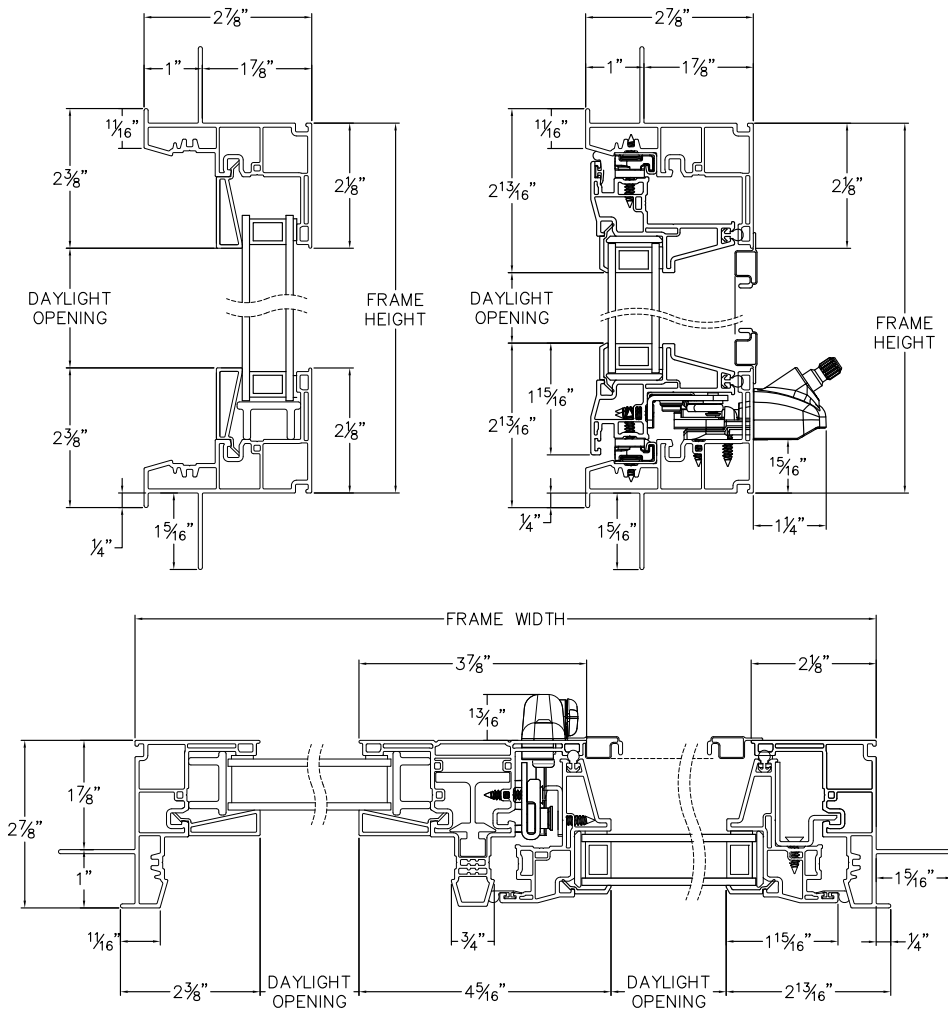
Casement Window

Single Casement - 1" Fin Setback, with Stucco Key

| CAD File Scale | View | File Name | Units |
|----------------|-----------------------|------------------------|-------|
| NTS | Horizontal & Vertical | StyleLine_6530_SC_1.in | Inch |

More Technical Documents can be found at milgard.com/professionals
Due to continual research and development, details may be changed at any time. ©2013 Milgard Mfg.

CASEMENT SERIES 6530



Revit, SketchUp, .PDF and .DWG files can be accessed at milgard.com/professionals/technical-resources

[Go back to Quick Links](#)

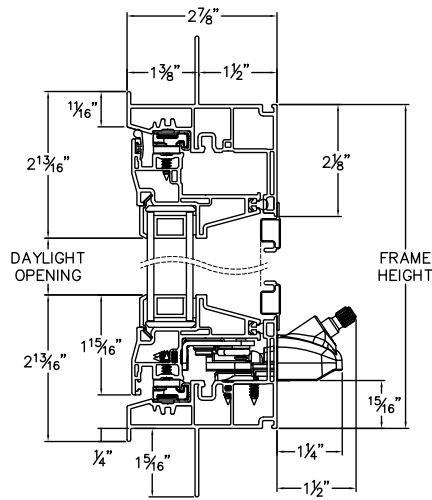
Casement Window

Full Casement - 1-3/8" Fin Setback, with Stucco Key

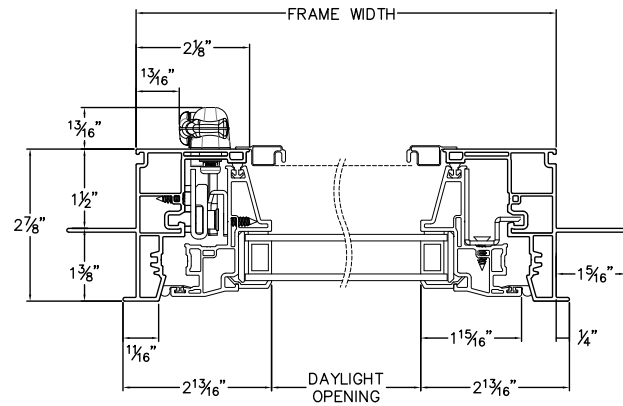
| CAD File Scale | View | File Name | Units | Revision |
|----------------|-----------------------|----------------------------------|-------|----------|
| NTS | Horizontal & Vertical | StyleLine_6511_FC_1.375in_stucco | Inch | 6/2015 |

More Technical Documents can be found at milgard.com/professionals
Due to continual research and development, details may be changed at any time. ©2013 Milgard Mfg.

CASEMENT SERIES 6511



HEAD & SILL



JAMBS

Revit, SketchUp, .PDF and .DWG files can be accessed at milgard.com/professionals/technical-resources

[Go back to Quick Links](#)

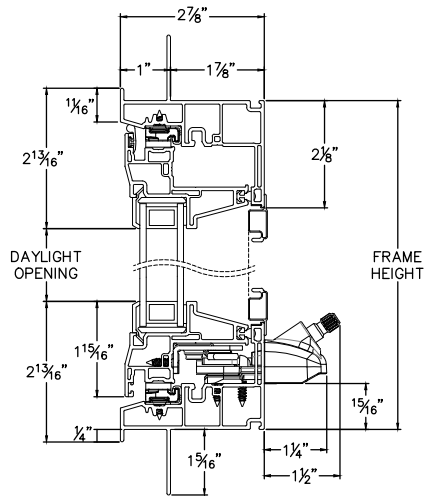
Casement Window

Double Casement - 1" Fin Setback, with Stucco Key

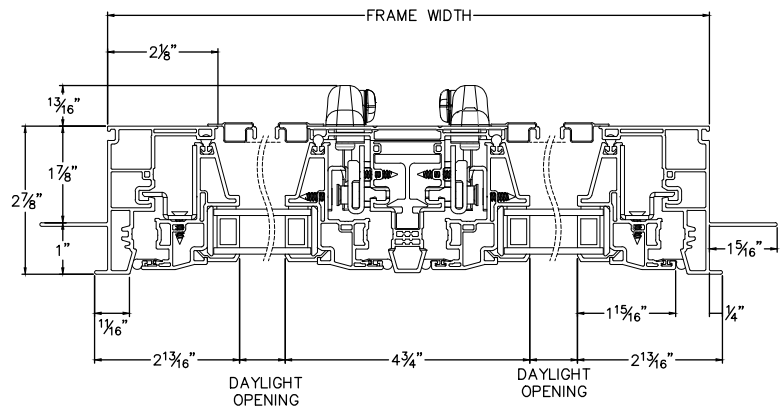
| CAD File Scale | View | File Name | Units |
|----------------|-----------------------|-----------|-------|
| NTS | Horizontal & Vertical | 6530-02FC | Inch |

More Technical Documents can be found at milgard.com/professionals
Due to continual research and development, details may be changed at any time. ©2013 Milgard Mfg.

DOUBLE CASEMENT SERIES 6530



HEAD & SILL



JAMBS

Revit, SketchUp, .PDF and .DWG files can be accessed at
milgard.com/professionals/technical-resources

[Go back to Quick Links](#)

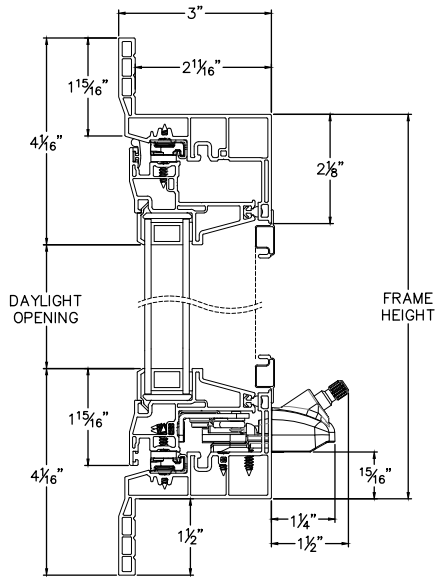
Casement Window

Full Casement - 1-1/2" Contour Z-bar

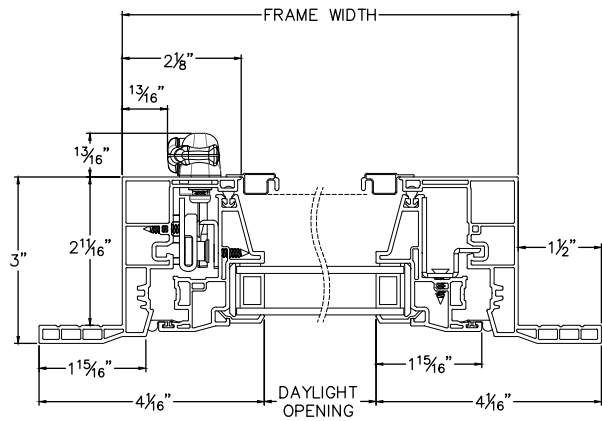
| CAD File Scale | View | File Name | Units |
|----------------|-----------------------|-----------|-------|
| NTS | Horizontal & Vertical | 6570-01FC | Inch |

More Technical Documents can be found at milgard.com/professionals
Due to continual research and development, details may be changed at any time. ©2013 Milgard Mfg.

CASEMENT SERIES 6570



HEAD & SILL



JAMBS

Revit, SketchUp, .PDF and .DWG files can be accessed at milgard.com/professionals/technical-resources

[Go back to Quick Links](#)

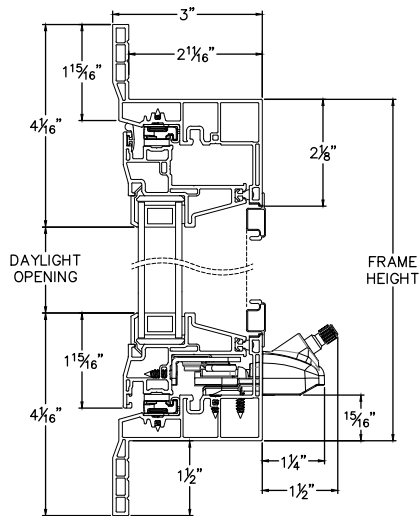
Casement Window

Double Casement - 1-1/2" Contour Z-bar

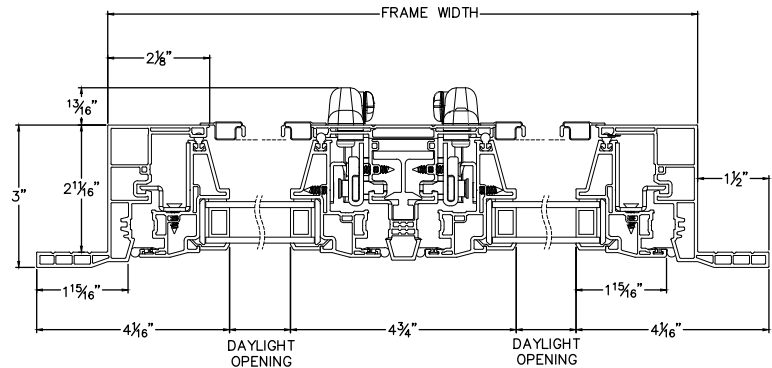
| CAD File Scale | View | File Name | Units |
|----------------|-----------------------|-----------|-------|
| NTS | Horizontal & Vertical | 6570-02FC | Inch |

More Technical Documents can be found at milgard.com/professionals
Due to continual research and development, details may be changed at any time. ©2013 Milgard Mfg.

DOUBLE CASEMENT SERIES 6570



HEAD & SILL



JAMBS

Revit, SketchUp, .PDF and .DWG files can be accessed at
milgard.com/professionals/technical-resources

[Go back to Quick Links](#)

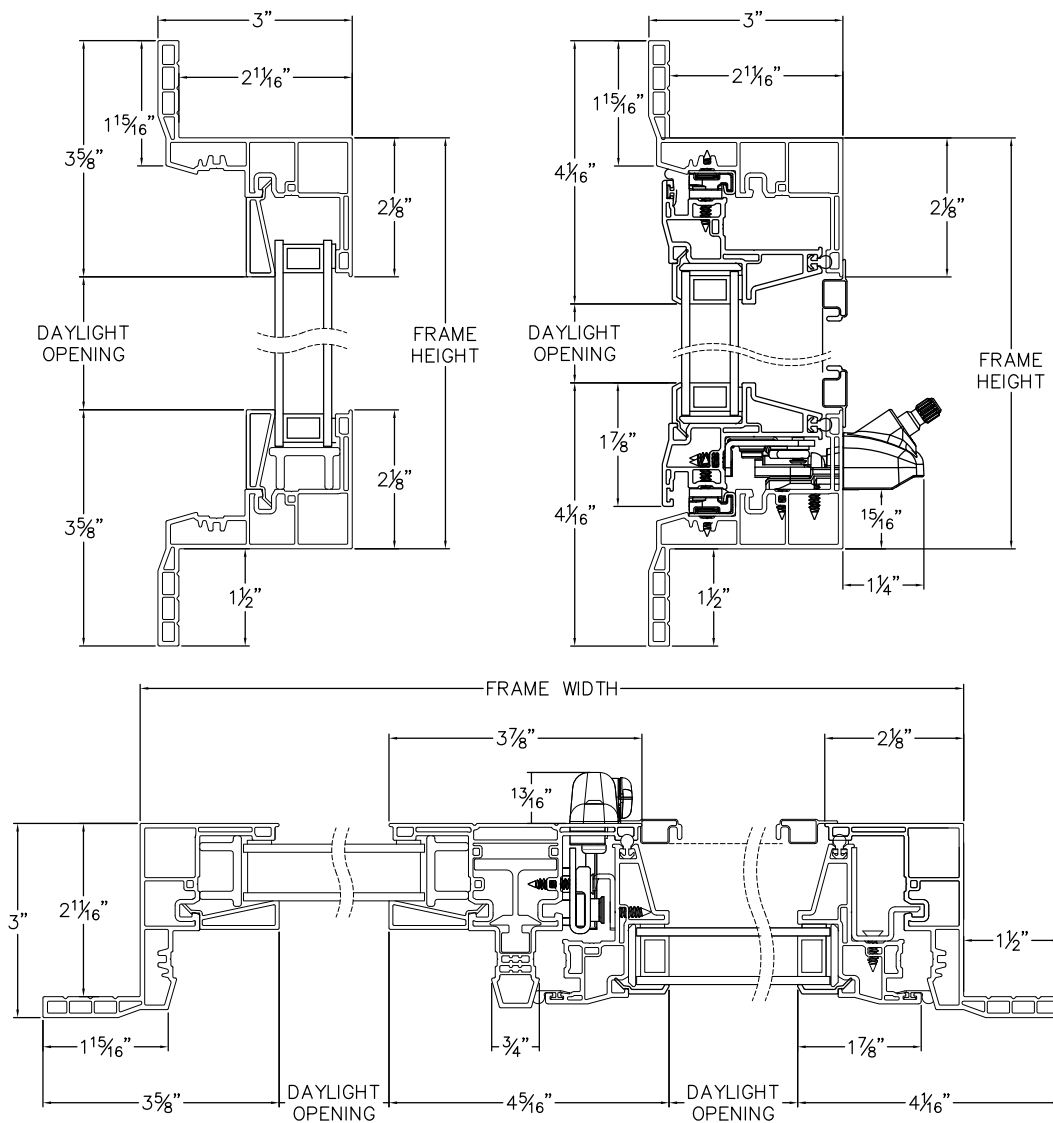
Casement Window

Single Casement - 1-1/2" Z-bar

| CAD File Scale | View | File Name | Units |
|----------------|-----------------------|-------------------------|-------|
| NTS | Horizontal & Vertical | StyleLine_6570_SC_z-bar | Inch |

More Technical Documents can be found at milgard.com/professionals
Due to continual research and development, details may be changed at any time. ©2013 Milgard Mfg.

CASEMENT SERIES 6570



Revit, SketchUp, .PDF and .DWG files can be accessed at
milgard.com/professionals/technical-resources

[Go back to Quick Links](#)

Horizontal Sliding Window



The Style Line® Series vinyl (PVC) Horizontal Sliding window blends the energy efficiency and low maintenance of vinyl with clean lines and a narrow profile.

The result is a window with maximum glass area. Available in white, tan, and adobe (select regions), as well as premium painted exteriors. The windows will maintain their color and shape and can be constructed to your exact size specifications.



Please also see:

[Components](#)

[Options](#)

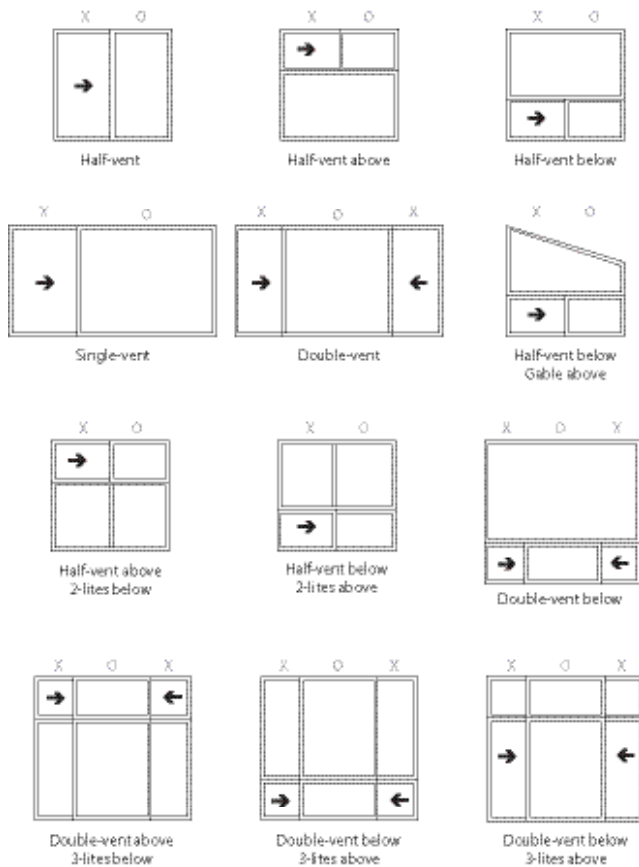
[Hardware](#)

[Painted Exterior Finishes](#)

[Lifetime Limited Warranty](#)

Horizontal Sliding Window

Configurations



Minimum/Maximum Sizes

Half Vent

- Min 2⁰¹° Max 6⁰⁶°

Half Vent above

- Min 2⁰²° Max 6⁰⁶°

Half Vent below

- Min 2⁰²° Max 6⁰⁶°

Single Vent

- Min 2⁰¹° Max 8⁰⁶°

Double Vent

- Min 3⁰¹° Max 10⁰⁶°

Double Vent below

- Min 4⁰²° Max 8⁰⁶°

Double Vent above

- Min 4⁰²° Max 8⁰⁶°

Minimum egress for half-vent is 4⁰³°.

Minimum egress for double-vent is 6⁰³° with a 24" vent.

Available Frame Styles

- 1-3/8" Fin Setback
- 1" Fin Setback with J-channel
- 1" Fin Setback with Stucco Key
- 1-1/2" Contour Z-bar
- 1-1/2" Flat Z-bar
- Block Frame (no fin)

NOTE: For engineering approval contact your Milgard representative for any configuration over 40 square feet. Each Milgard Manufacturing plant reserves the right to alter or change sizes and configurations according to location capabilities. Ask your Milgard rep about specialty applications. Windows over 40 square feet shipped open for field glazing. Varies by location.

Not all frame styles available at all Milgard locations. Contact your Milgard Representative for more information.

Drawings - Quick Links

Horizontal Sliding Window

- 44—1-3/8" Fin Setback
- 45—1-3/8" Fin Setback with stucco key
- 46—1" Fin Setback with J-channel
- 47—1" Fin Setback with Stucco Key
- 48—1-1/2" Contour Z-bar
- 49—1-1/2" Flat Z-bar
- 50—Block Frame with Sloped Sill Adapter
- 51—Half Vent Above - 1-3/8" Fin Setback
- 52—Half Vent Above 2 Lites - 1-3/8" Fin Setback

Double Vent Horizontal Sliding Window

- 53—1" Fin Setback

Revit, SketchUp, .PDF and .DWG files can be accessed at
milgard.com/professionals/technical-resources

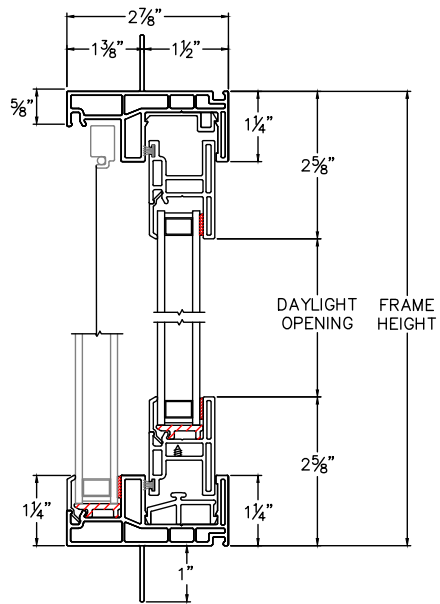
Horizontal Sliding Window

1-3/8" Fin Setback

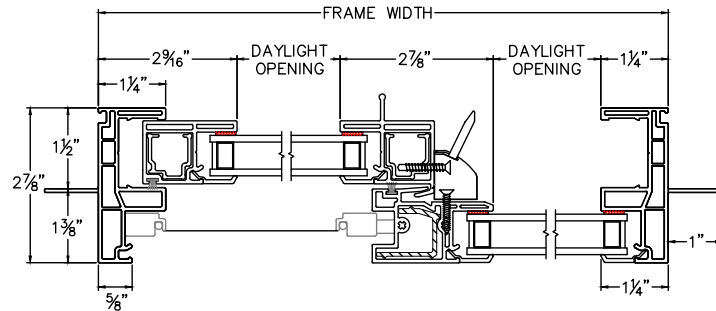
| CAD File Scale | View | File Name | Units |
|----------------|-----------------------|-----------|-------|
| NTS | Horizontal & Vertical | 6110-01HS | Inch |

More Technical Documents can be found at milgard.com/professionals
Due to continual research and development, details may be changed at any time. ©2013 Milgard Mfg.

HORIZONTAL SLIDER SERIES 6110



HEAD & SILL



JAMBS

Revit, SketchUp, .PDF and .DWG files can be accessed at
milgard.com/professionals/technical-resources

[Go back to Quick Links](#)

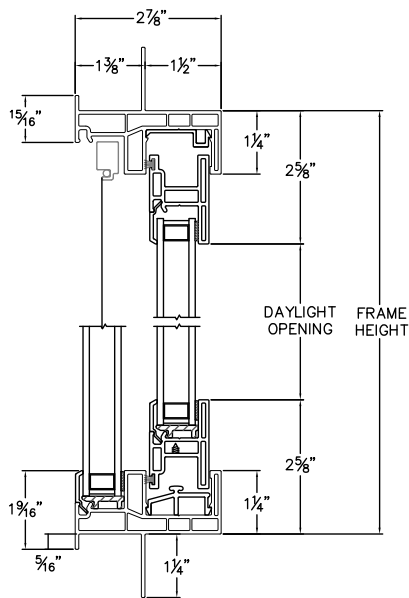
Horizontal Sliding Window

1-3/8" Fin Setback with stucco key

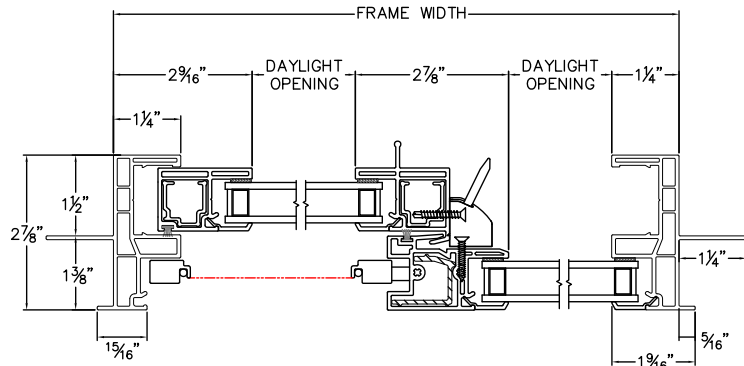
| CAD File Scale | View | File Name | Units | Revision |
|----------------|-----------------------|----------------------------------|-------|----------|
| NTS | Horizontal & Vertical | StyleLine_6111_HS_1.375in_stucco | Inch | 6/2015 |

More Technical Documents can be found at milgard.com/professionals
Due to continual research and development, details may be changed at any time. ©2013 Milgard Mfg.

HORIZONTAL SLIDER SERIES 6111



HEAD & SILL



JAMBS

Revit, SketchUp, .PDF and .DWG files can be accessed at
milgard.com/professionals/technical-resources

[Go back to Quick Links](#)

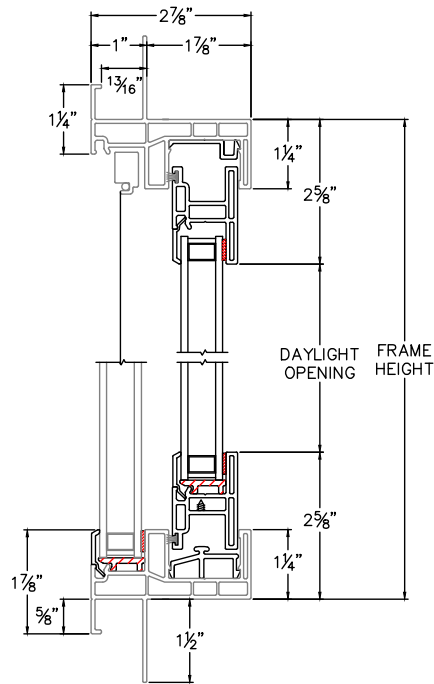
Horizontal Sliding Window

1" Fin Setback with J-channel

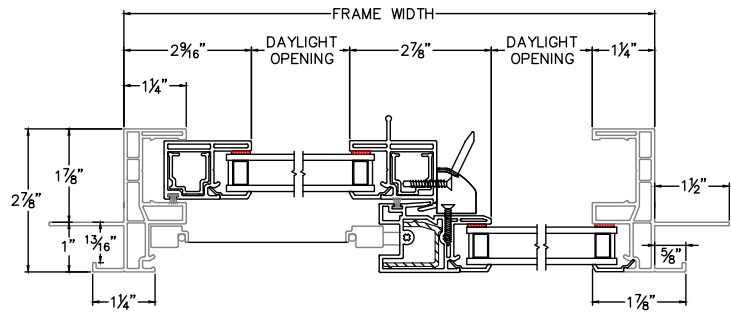
| CAD File Scale | View | File Name | Units |
|----------------|-----------------------|------------|-------|
| NTS | Horizontal & Vertical | 6130J-01HS | Inch |

More Technical Documents can be found at milgard.com/professionals
Due to continual research and development, details may be changed at any time. ©2013 Milgard Mfg.

HORIZONTAL SLIDER SERIES 6130J



HEAD & SILL



JAMBS

Revit, SketchUp, .PDF and .DWG files can be accessed at
milgard.com/professionals/technical-resources

[Go back to Quick Links](#)

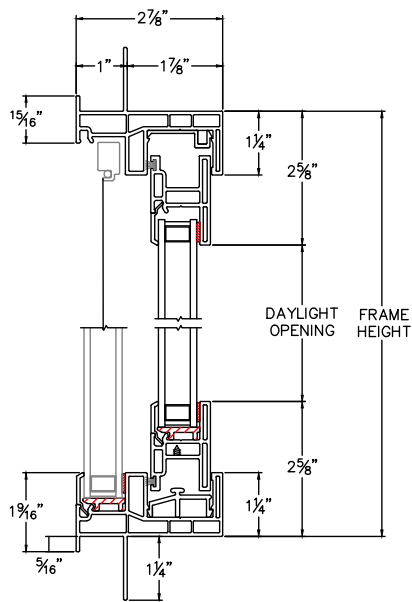
Horizontal Sliding Window

1" Fin Setback with Stucco Key

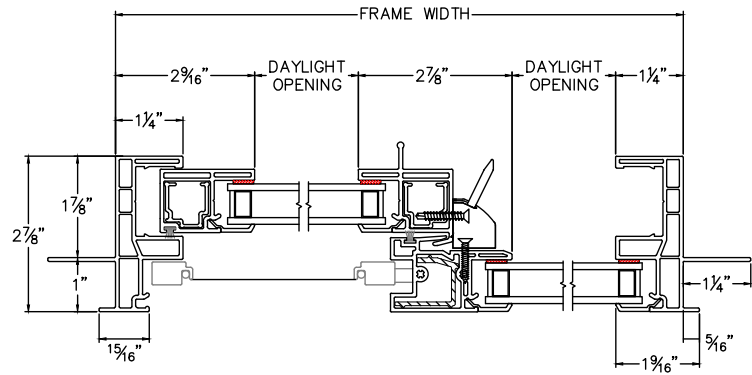
| CAD File Scale | View | File Name | Units |
|----------------|-----------------------|-----------|-------|
| NTS | Horizontal & Vertical | 6130-01HS | Inch |

More Technical Documents can be found at milgard.com/professionals
Due to continual research and development, details may be changed at any time. ©2013 Milgard Mfg.

HORIZONTAL SLIDER SERIES 6130



HEAD & SILL



JAMBS

Revit, SketchUp, .PDF and .DWG files can be accessed at
milgard.com/professionals/technical-resources

[Go back to Quick Links](#)

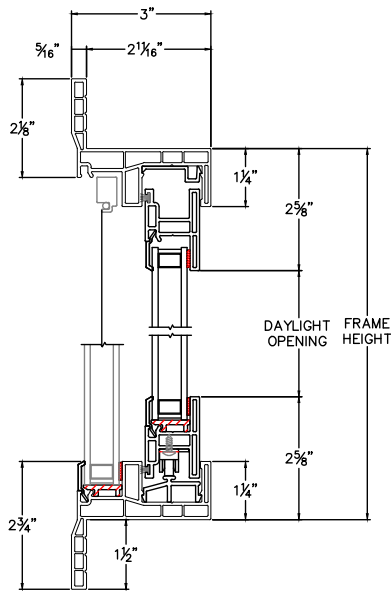
Horizontal Sliding Window

1-1/2" Contour Z-bar

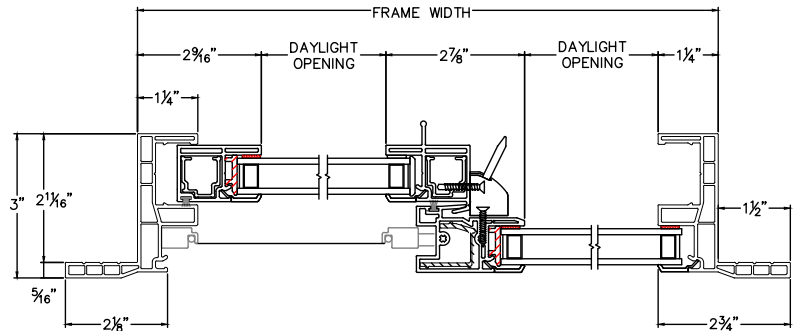
| CAD File Scale | View | File Name | Units |
|----------------|-----------------------|-----------|-------|
| NTS | Horizontal & Vertical | 6170-01HS | Inch |

More Technical Documents can be found at milgard.com/professionals
Due to continual research and development, details may be changed at any time. ©2013 Milgard Mfg.

HORIZONTAL SLIDER SERIES 6170



HEAD & SILL



JAMBS

Revit, SketchUp, .PDF and .DWG files can be accessed at milgard.com/professionals/technical-resources

[Go back to Quick Links](#)

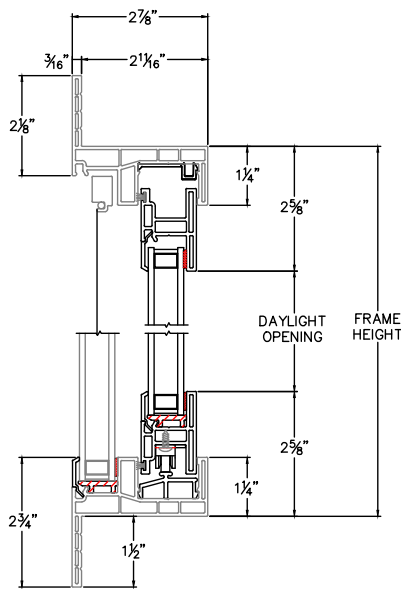
Horizontal Sliding Window

1-1/2" Flat Z-bar

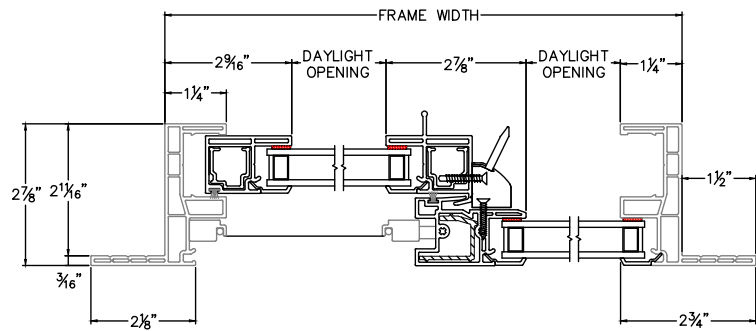
| CAD File Scale | View | File Name | Units |
|----------------|-----------------------|-----------|-------|
| NTS | Horizontal & Vertical | 6170-01HS | Inch |

More Technical Documents can be found at milgard.com/professionals
Due to continual research and development, details may be changed at any time. ©2013 Milgard Mfg.

HORIZONTAL SLIDER SERIES 6170



HEAD & SILL



JAMBS

Revit, SketchUp, .PDF and .DWG files can be accessed at milgard.com/professionals/technical-resources

[Go back to Quick Links](#)

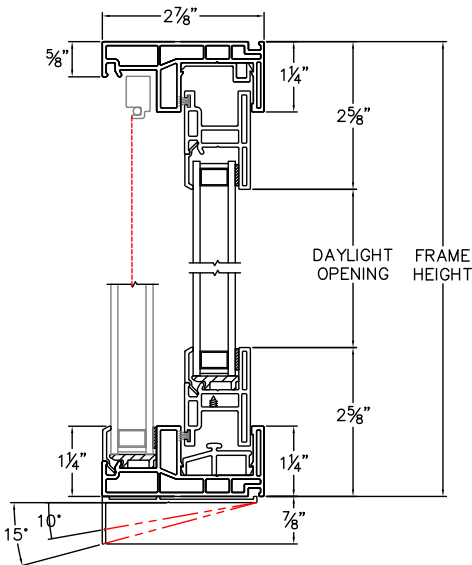
Horizontal Sliding Window

Block Frame with Sloped Sill Adapter

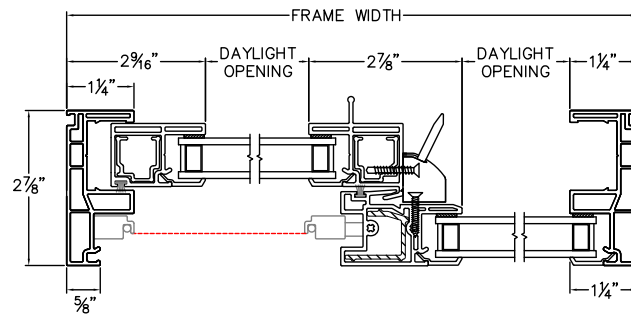
| CAD File Scale | View | File Name | Units |
|----------------|-----------------------|--------------------------|-------|
| NTS | Horizontal & Vertical | 6110-01HS - sill adapter | Inch |

More Technical Documents can be found at milgard.com/professionals
Due to continual research and development, details may be changed at any time. ©2013 Milgard Mfg.

HORIZONTAL SLIDER SERIES 6110



HEAD & SILL



JAMBS

Revit, SketchUp, .PDF and .DWG files can be accessed at
milgard.com/professionals/technical-resources

[Go back to Quick Links](#)

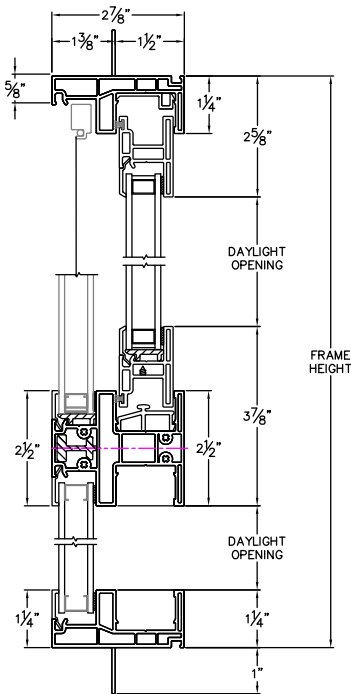
Horizontal Sliding Window

Half Vent Above - 1-3/8" Fin Setback

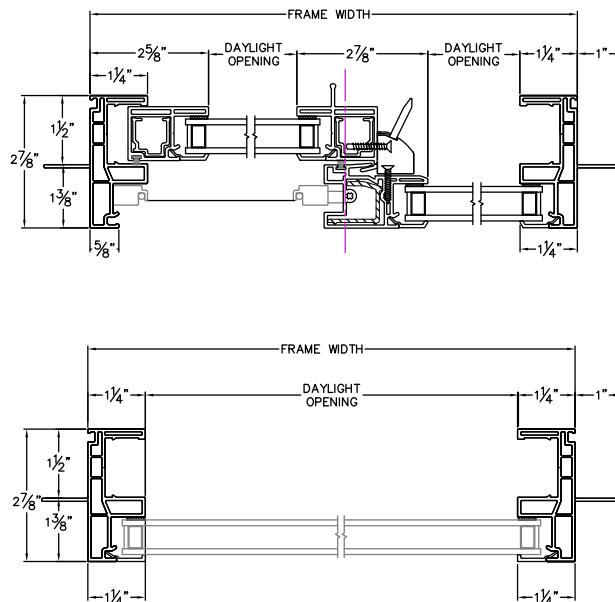
| CAD File Scale | View | File Name | Units |
|----------------|-----------------------|-----------------------------|-------|
| NTS | Horizontal & Vertical | StyleLine_6110_HVA_1.3275in | Inch |

More Technical Documents can be found at milgard.com/professionals
Due to continual research and development, details may be changed at any time. ©2013 Milgard Mfg.

HALF VENT SERIES 6110



HEAD & SILL



JAMBS

Revit, SketchUp, .PDF and .DWG files can be accessed at milgard.com/professionals/technical-resources

[Go back to Quick Links](#)

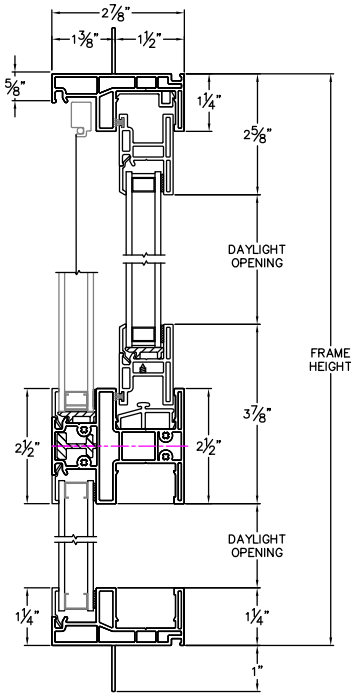
Horizontal Sliding Window

Half Vent Above 2 Lites - 1-3/8" Fin Setback

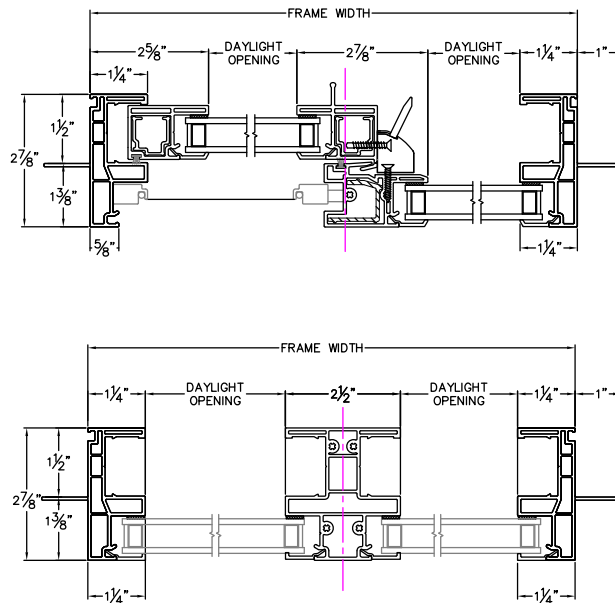
| CAD File Scale | View | File Name | Units |
|----------------|-----------------------|-----------------------------|-------|
| NTS | Horizontal & Vertical | StyleLine_6110_HVA2_1.375in | Inch |

More Technical Documents can be found at milgard.com/professionals
Due to continual research and development, details may be changed at any time. ©2013 Milgard Mfg.

HALF VENT SERIES 6110



HEAD & SILL



JAMBS

Revit, SketchUp, .PDF and .DWG files can be accessed at milgard.com/professionals/technical-resources

[Go back to Quick Links](#)

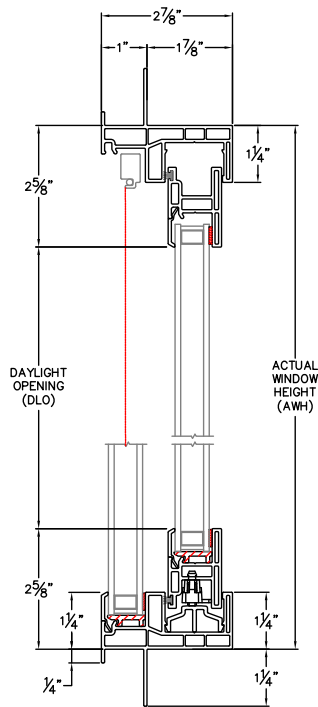
Double Vent Horizontal Sliding Window

1" Fin Setback

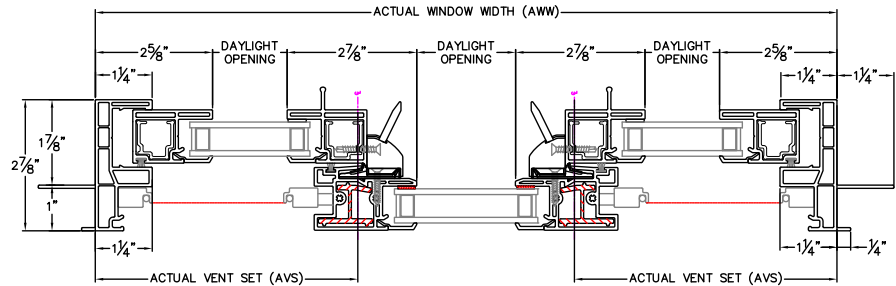
| CAD File Scale | View | File Name | Units |
|----------------|-----------------------|-----------|-------|
| NTS | Horizontal & Vertical | 6130 DS | Inch |

More Technical Documents can be found at milgard.com/professionals
Due to continual research and development, details may be changed at any time. ©2013 Milgard Mfg.

DOUBLE VENT HORIZONTAL SLIDER SERIES 6130



HEAD & SILL



JAMBS

Revit, SketchUp, .PDF and .DWG files can be accessed at
milgard.com/professionals/technical-resources

[Go back to Quick Links](#)

Picture and Radius Window



The Style Line® Series vinyl (PVC) Picture window blends the energy efficiency and low maintenance of vinyl with clean lines and a narrow profile.

The result is a window with maximum glass area. Available in white, tan, and adobe (select regions), as well as premium painted exteriors. The windows will maintain their color and shape and can be constructed to your exact size specifications.



Please also see:

[Components](#)

[Options](#)

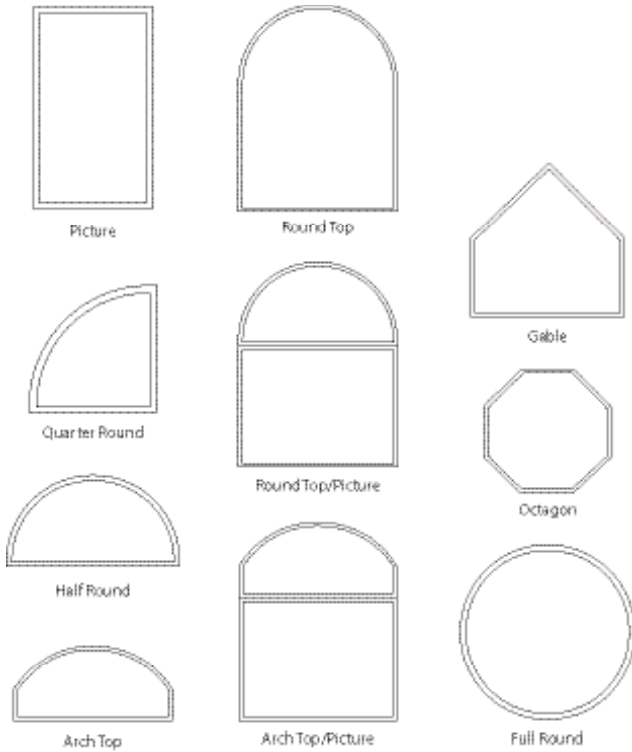
[Hardware](#)

[Painted Exterior Finishes](#)

[Lifetime Limited Warranty](#)

Picture and Radius Window

Configurations



Minimum/Maximum Sizes

Picture Window

- Min 1⁰¹° Max 8⁰⁶°

Octagon

- Min 3⁰³° Max 6⁰⁶°

Half Round

- Min 2⁶¹° Max 8⁰⁴°

Quarter Round

- Min 1³¹° Max 5⁰⁵°

Full Round

- Min 2⁶²° Max 5⁰⁵°

Arch Tops

- 48 square feet maximum
- Min 2⁶²° Max 8⁰⁶°

Must specify leg height and center height (minimum 6" leg height)

Available Frame Styles

- 1-3/8" Fin Setback
- 1" Fin Setback with J-channel
- 1" Fin Setback with Stucco Key

NOTE: For engineering approval contact your Milgard representative for any configuration over 40 square feet. Each Milgard Manufacturing plant reserves the right to alter or change sizes and configurations according to location capabilities. Ask your Milgard rep about specialty applications. Windows over 40 square feet shipped open for field glazing. Varies by location.

Not all frame styles available at all Milgard locations. Contact your Milgard Representative for more information.

Drawings - Quick Links

Picture/Radius Window

- 57—1-3/8" Fin Setback - Slider Frame
- 58—1" Fin Setback with J-channel - Slider Frame
- 59—1" Fin Setback with Stucco Key - Slider Frame
- 60—1-3/8" Fin Setback with Stucco Key - Step Frame
- 61—1-3/8" Fin Setback - Step Frame
- 62—1" Fin Setback with J-channel - Step Frame
- 63—1" Fin Setback with Stucco Key - Step Frame
- 64—1-3/8" Fin Setback - Casement Frame
- 65—1-1/2" Contour Z-bar - Slider Frame
- 66—1-1/2" Flat Z-bar - Slider Frame

Revit, SketchUp, .PDF and .DWG files can be accessed at
milgard.com/professionals/technical-resources

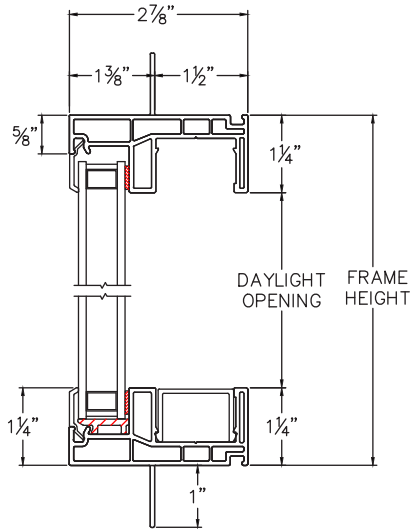
Picture/Radius Window

1-3/8" Fin Setback - Slider Frame

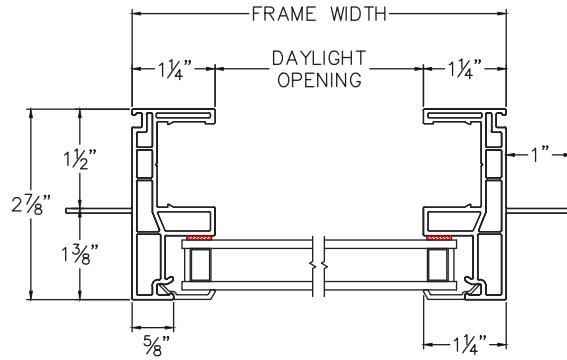
| CAD File Scale | View | File Name | Units |
|----------------|-----------------------|-----------|-------|
| NTS | Horizontal & Vertical | 6310-01 | Inch |

More Technical Documents can be found at milgard.com/professionals
Due to continual research and development, details may be changed at any time. ©2013 Milgard Mfg.

PICTURE WINDOW SERIES 6310



HEAD & SILL



JAMBS

Revit, SketchUp, .PDF and .DWG files can be accessed at milgard.com/professionals/technical-resources

[Go back to Quick Links](#)

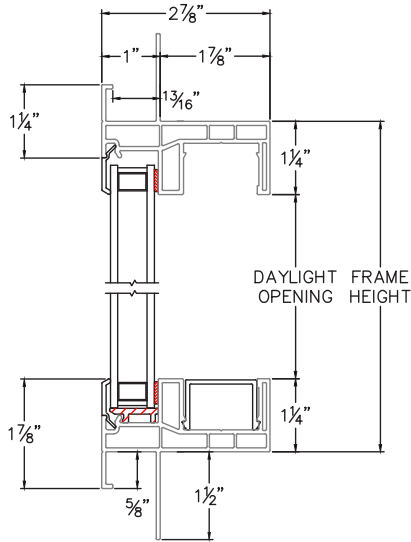
Picture/Radius Window

1" Fin Setback with J-channel - Slider Frame

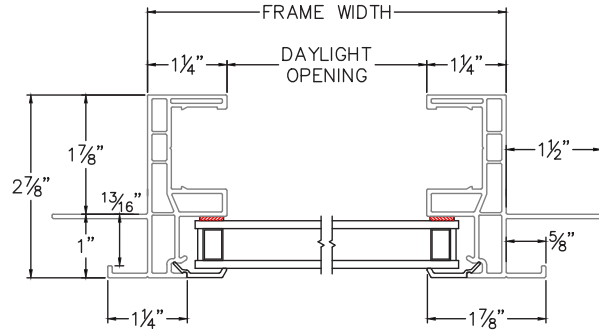
| CAD File Scale | View | File Name | Units |
|----------------|-----------------------|-----------|-------|
| NTS | Horizontal & Vertical | 6331J-01 | Inch |

More Technical Documents can be found at milgard.com/professionals
Due to continual research and development, details may be changed at any time. ©2013 Milgard Mfg.

PICTURE WINDOW SERIES 6331J



HEAD & SILL



JAMBS

Revit, SketchUp, .PDF and .DWG files can be accessed at milgard.com/professionals/technical-resources

[Go back to Quick Links](#)

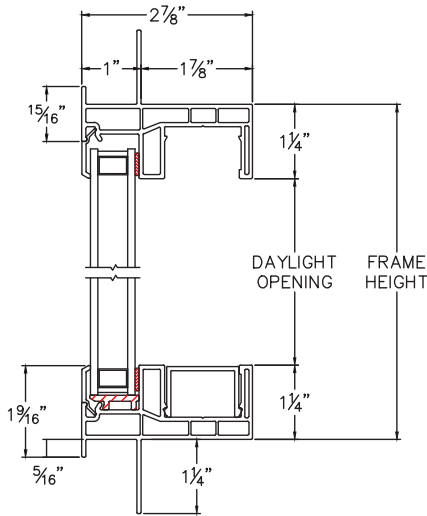
Picture/Radius Window

1" Fin Setback with Stucco Key - Slider Frame

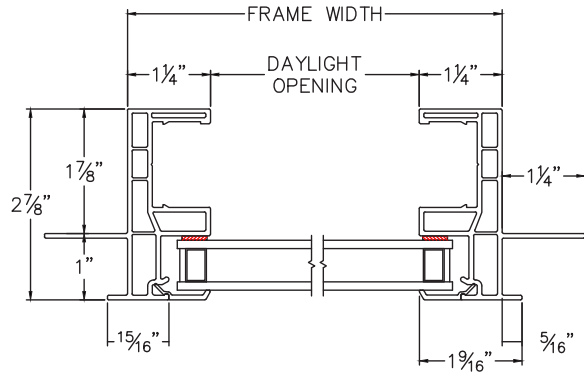
| CAD File Scale | View | File Name | Units |
|----------------|-----------------------|-----------|-------|
| NTS | Horizontal & Vertical | 6331-01 | Inch |

More Technical Documents can be found at milgard.com/professionals
Due to continual research and development, details may be changed at any time. ©2013 Milgard Mfg.

PICTURE WINDOW SERIES 6331



HEAD & SILL



JAMBS

Revit, SketchUp, .PDF and .DWG files can be accessed at milgard.com/professionals/technical-resources

[Go back to Quick Links](#)

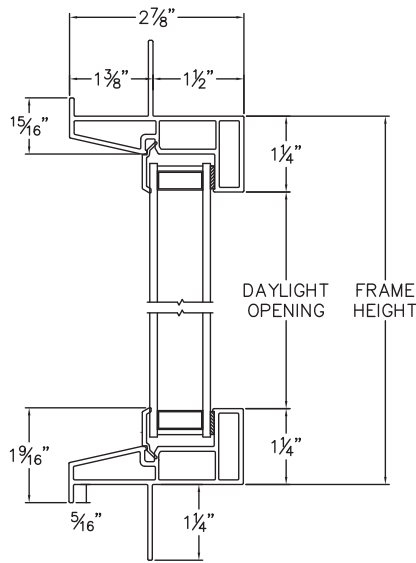
Picture/Radius Window

1-3/8" Fin Setback with Stucco Key - Step Frame

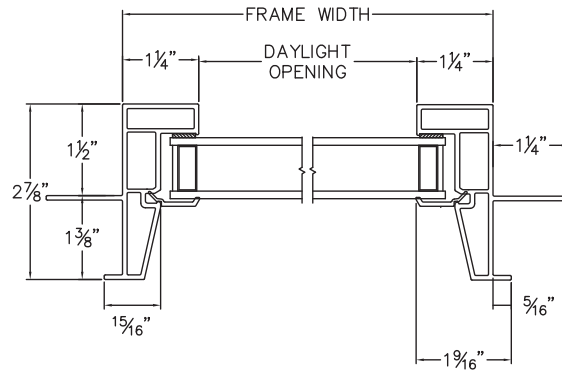
| CAD File Scale | View | File Name | Units | Revision |
|----------------|-----------------------|----------------------------------|-------|----------|
| NTS | Horizontal & Vertical | StyleLine_6341_PW_1.375in_stucco | Inch | 6/2015 |

More Technical Documents can be found at milgard.com/professionals
Due to continual research and development, details may be changed at any time. ©2013 Milgard Mfg.

PICTURE WINDOW SERIES 6341



HEAD & SILL



JAMBS

Revit, SketchUp, .PDF and .DWG files can be accessed at milgard.com/professionals/technical-resources

[Go back to Quick Links](#)

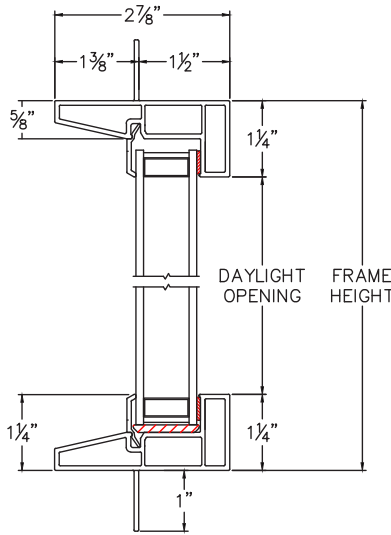
Picture/Radius Window

1-3/8" Fin Setback - Step Frame

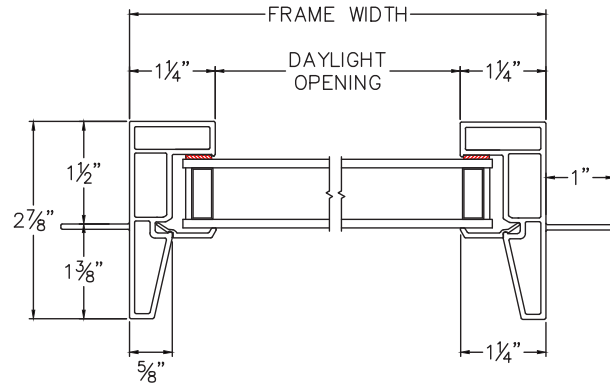
| CAD File Scale | View | File Name | Units |
|----------------|-----------------------|-----------|-------|
| NTS | Horizontal & Vertical | 6340-01 | Inch |

More Technical Documents can be found at milgard.com/professionals
Due to continual research and development, details may be changed at any time. ©2013 Milgard Mfg.

PICTURE WINDOW SERIES 6340



HEAD & SILL



JAMBS

Revit, SketchUp, .PDF and .DWG files can be accessed at milgard.com/professionals/technical-resources

[Go back to Quick Links](#)

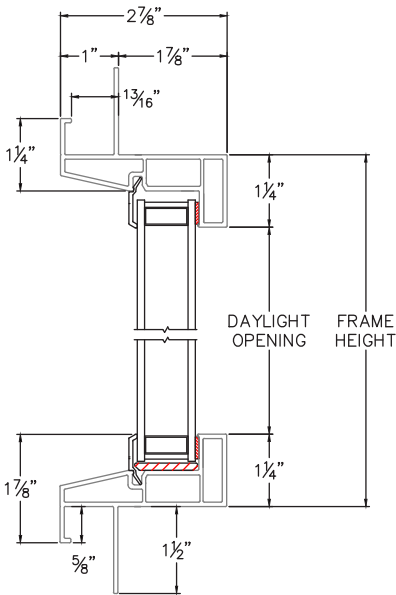
Picture/Radius Window

1" Fin Setback with J-channel - Step Frame

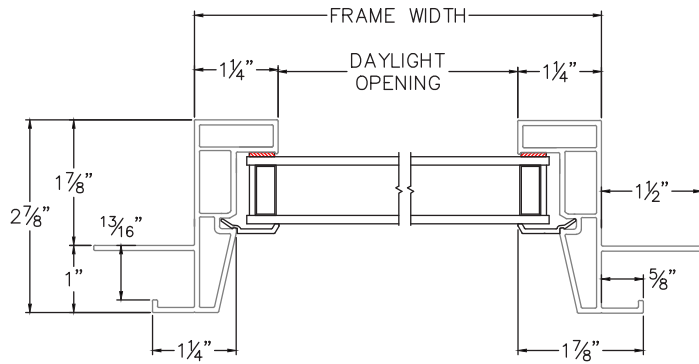
| CAD File Scale | View | File Name | Units |
|----------------|-----------------------|-----------|-------|
| NTS | Horizontal & Vertical | 6330J-01 | Inch |

More Technical Documents can be found at milgard.com/professionals
Due to continual research and development, details may be changed at any time. ©2013 Milgard Mfg.

PICTURE WINDOW SERIES 6330J



HEAD & SILL



JAMBS

Revit, SketchUp, .PDF and .DWG files can be accessed at
milgard.com/professionals/technical-resources

[Go back to Quick Links](#)

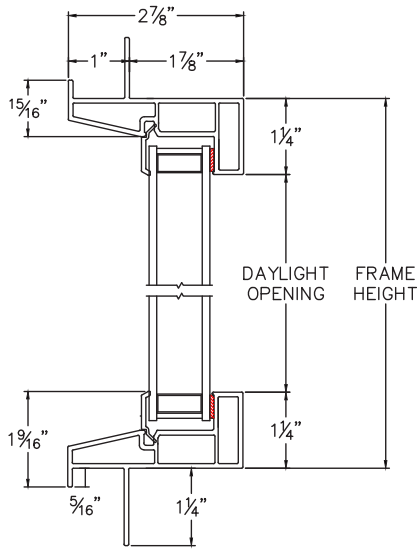
Picture/Radius Window

1" Fin Setback with Stucco Key - Step Frame

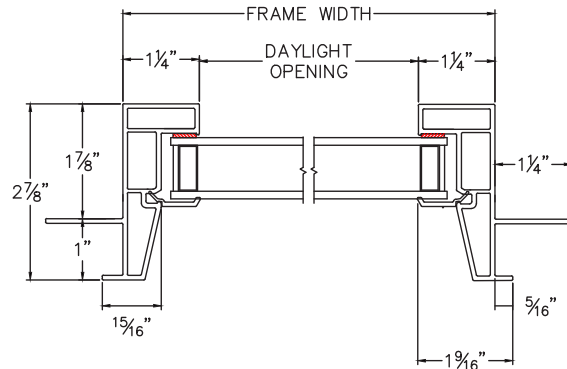
| CAD File Scale | View | File Name | Units |
|----------------|-----------------------|-----------|-------|
| NTS | Horizontal & Vertical | 6330-01 | Inch |

More Technical Documents can be found at milgard.com/professionals
Due to continual research and development, details may be changed at any time. ©2013 Milgard Mfg.

PICTURE WINDOW SERIES 6330



HEAD & SILL



JAMBS

Revit, SketchUp, .PDF and .DWG files can be accessed at milgard.com/professionals/technical-resources

[Go back to Quick Links](#)

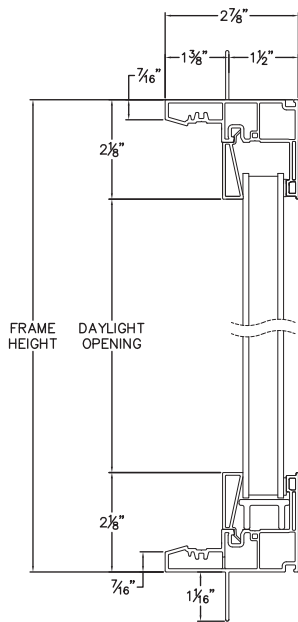
Picture/Radius Window

1-3/8" Fin Setback - Casement Frame

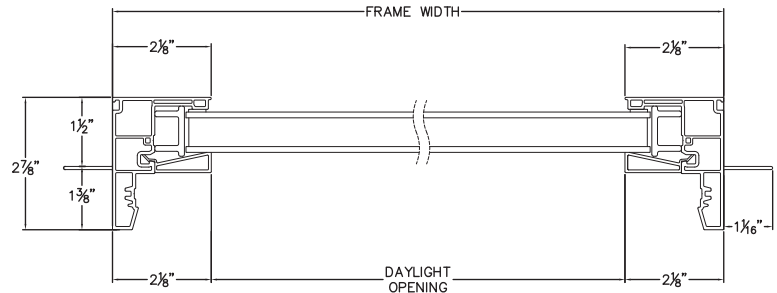
| CAD File Scale | View | File Name | Units |
|----------------|-----------------------|---|-------|
| NTS | Horizontal & Vertical | StyleLine_6350_PW_from_CA_frame_1.375in | Inch |

More Technical Documents can be found at milgard.com/professionals
Due to continual research and development, details may be changed at any time. ©2013 Milgard Mfg.

CASEMENT PICTURE WINDOW SERIES 6350



HEAD & SILL



JAMBS

Revit, SketchUp, .PDF and .DWG files can be accessed at
milgard.com/professionals/technical-resources

[Go back to Quick Links](#)

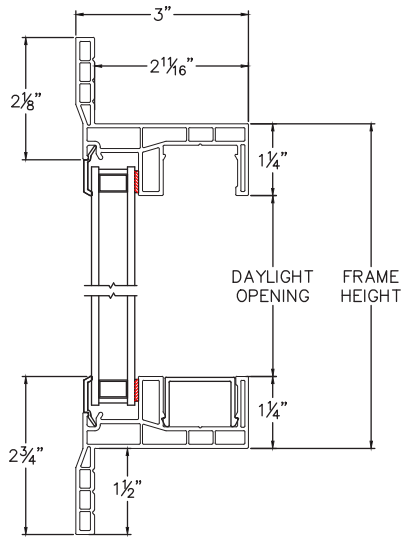
Picture/Radius Window

1-1/2" Contour Z-bar - Slider Frame

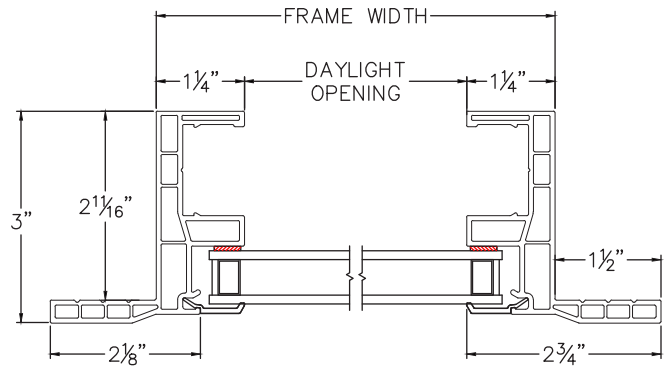
| CAD File Scale | View | File Name | Units |
|----------------|-----------------------|-----------|-------|
| NTS | Horizontal & Vertical | 6370 | Inch |

More Technical Documents can be found at milgard.com/professionals
Due to continual research and development, details may be changed at any time. ©2013 Milgard Mfg.

PICTURE WINDOW SERIES 6370



HEAD & SILL



JAMBS

Revit, SketchUp, .PDF and .DWG files can be accessed at milgard.com/professionals/technical-resources

[Go back to Quick Links](#)

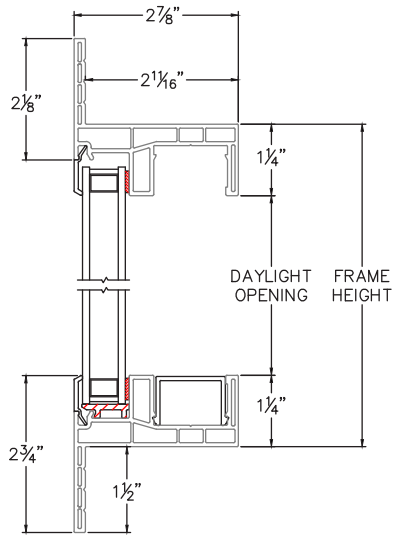
Picture/Radius Window

1-1/2" Flat Z-bar - Slider Frame

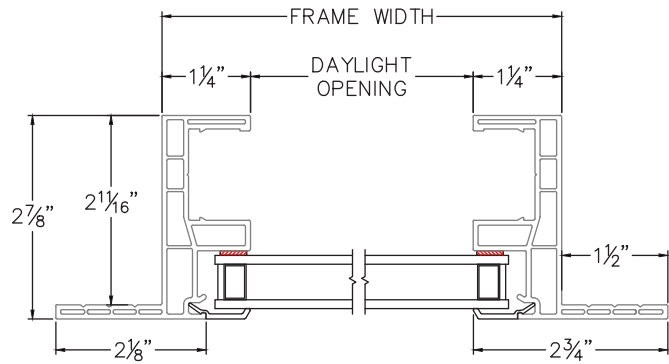
| CAD File Scale | View | File Name | Units |
|----------------|-----------------------|-----------|-------|
| NTS | Horizontal & Vertical | 6370-01 | Inch |

More Technical Documents can be found at milgard.com/professionals
Due to continual research and development, details may be changed at any time. ©2013 Milgard Mfg.

PICTURE WINDOW SERIES 6370



HEAD & SILL



JAMBS

Revit, SketchUp, .PDF and .DWG files can be accessed at milgard.com/professionals/technical-resources

[Go back to Quick Links](#)

Single Hung Window



The Style Line® Series vinyl (PVC) Single Hung window blends the energy efficiency and low maintenance of vinyl with clean lines and a narrow profile.

The result is a window with maximum glass area. Available in white, tan, and adobe (select regions), as well as premium painted exteriors. The windows will maintain their color and shape and can be constructed to your exact size specifications.

Please also see:

[Components](#)

[Options](#)

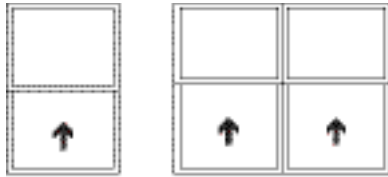
[Hardware](#)

[Painted Exterior Finishes](#)

[Lifetime Limited Warranty](#)

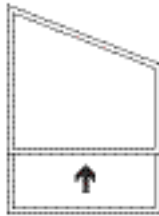
Single Hung Window

Configurations

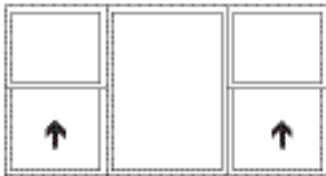


Single Hung

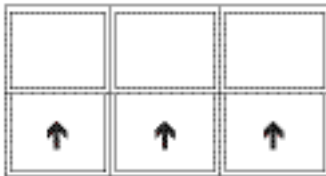
Double Single Hung



Gable Top Single Hung



Double Single Hung/Center Lite



Triple Single Hung

Minimum/Maximum Sizes

Single-Hung

- Min 1'0" Max 4'6"

Double Single-Hung

- Min 2'0" Max 7'6"

Triple Single-Hung

- Min 3'0" Max 9'6"

Double Single-Hung with Center Lite

- Min 3'0" Max 9'6"

Gable Top Single Hung

- Min 1'0" Max 4'6"

Minimum egress is 3'5" with a 30" bar set or 2'6" with a 36" bar set.
SH vent set: 12, 15, 18, 21, 24, 27, 30, 33 or 36.

Available Frame Styles

- 1-3/8" Nail Fin Setback
- 1" Nail Fin Setback with Stucco Key
- 1" Nail Fin Setback with J-Channel
- Contour Z-bar
- Flat Z-bar
- Block Frame (no fin)

NOTE: For engineering approval contact your Milgard representative for any configuration over 40 square feet. Each Milgard Manufacturing plant reserves the right to alter or change sizes and configurations according to location capabilities. Ask your Milgard rep about specialty applications. Windows over 40 square feet shipped open for field glazing. Varies by location.

Not all frame styles available at all Milgard locations. Contact your Milgard Representative for more information.

Drawings - Quick Links

Single Hung Window

- 70—1-3/8" Fin Setback
- 71—1" Fin Setback with Stucco Key
- 72—1-3/8" Fin Setback with Stucco Key
- 73—1" Fin Setback with J-channel
- 74—1-1/2" Contour Z-bar
- 75—1-1/2" Flat Z-bar
- 76—Double Single Hung - 1-3/8" Fin Setback
- 77—Double Single Hung above 2 Lites - 1-3/8" Fin Setback
- 78—Double Single Hung below 2 Lites - 1-3/8" Fin Setback
- 79—Single Hung above - Block Frame
- 80—True Divide - Block Frame
- 81—Triple Single Hung - Block Frame
- 82—Single Single Hung - Z-bar frame

Revit, SketchUp, .PDF and .DWG files can be accessed at
milgard.com/professionals/technical-resources

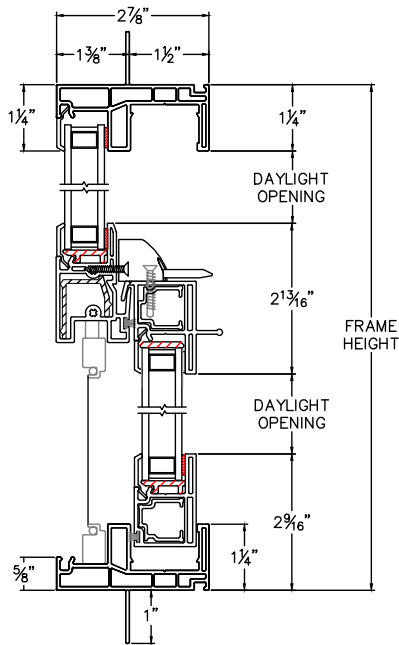
Single Hung Window

1-3/8" Fin Setback

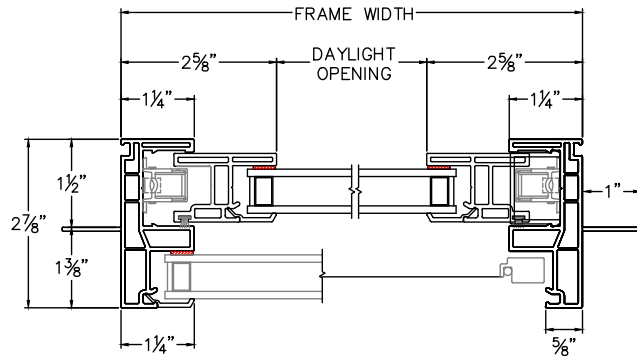
| CAD File Scale | View | File Name | Units |
|----------------|-----------------------|-----------|-------|
| NTS | Horizontal & Vertical | 6210-01SH | Inch |

More Technical Documents can be found at milgard.com/professionals
Due to continual research and development, details may be changed at any time. ©2013 Milgard Mfg.

SINGLE HUNG SERIES 6210



HEAD & SILL



JAMBS

Revit, SketchUp, .PDF and .DWG files can be accessed at
milgard.com/professionals/technical-resources

[Go back to Quick Links](#)

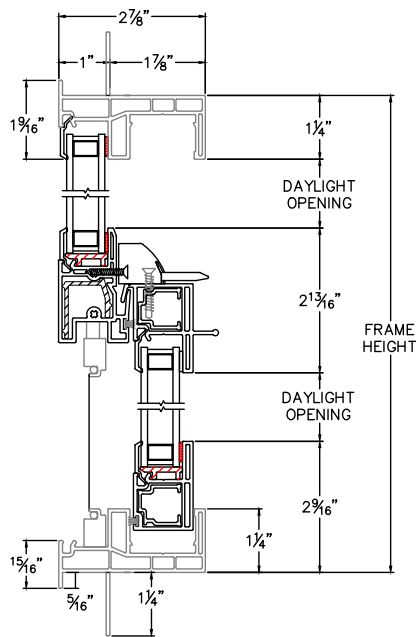
Single Hung Window

1-” Fin Setback with Stucco Key

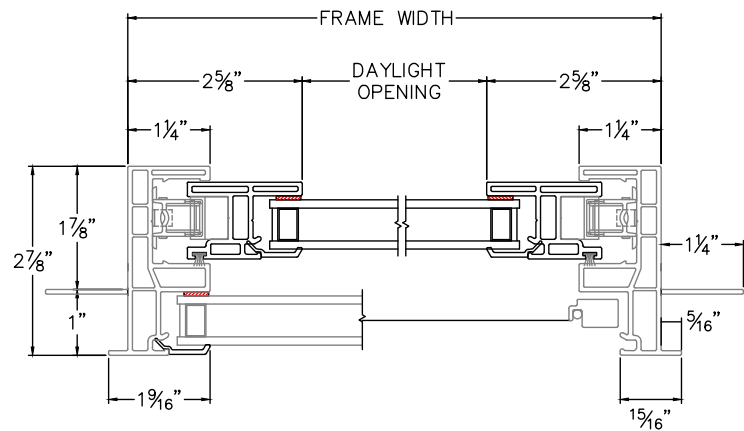
| CAD File Scale | View | File Name | Units |
|----------------|-----------------------|-----------|-------|
| NTS | Horizontal & Vertical | 6230-01SH | Inch |

More Technical Documents can be found at milgard.com/professionals
Due to continual research and development, details may be changed at any time. ©2013 Milgard Mfg.

SINGLE HUNG SERIES 6230



HEAD & SILL



JAMBS

Revit, SketchUp, .PDF and .DWG files can be accessed at milgard.com/professionals/technical-resources

[Go back to Quick Links](#)

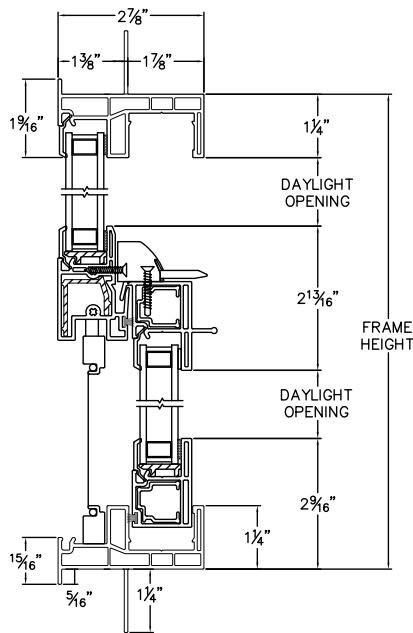
Single Hung Window

1-3/8-” Fin Setback with Stucco Key

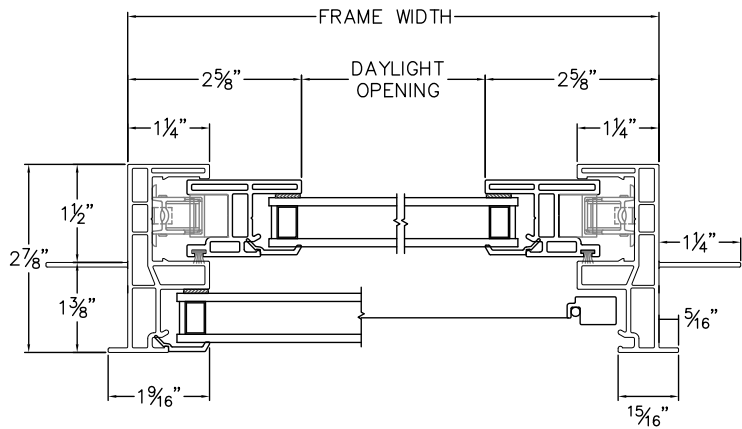
| CAD File Scale | View | File Name | Units | Revision |
|----------------|-----------------------|----------------------------------|-------|----------|
| NTS | Horizontal & Vertical | StyleLine_6211_SH_1.375in_stucco | Inch | 6/2015 |

More Technical Documents can be found at milgard.com/professionals
Due to continual research and development, details may be changed at any time. ©2013 Milgard Mfg.

SINGLE HUNG SERIES 6211



HEAD & SILL



JAMBS

Revit, SketchUp, .PDF and .DWG files can be accessed at
milgard.com/professionals/technical-resources

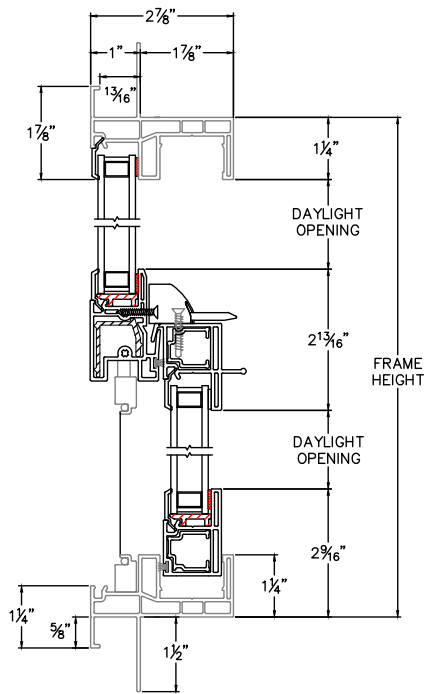
[Go back to Quick Links](#)

Single Hung Window

1" Fin Setback with J-channel

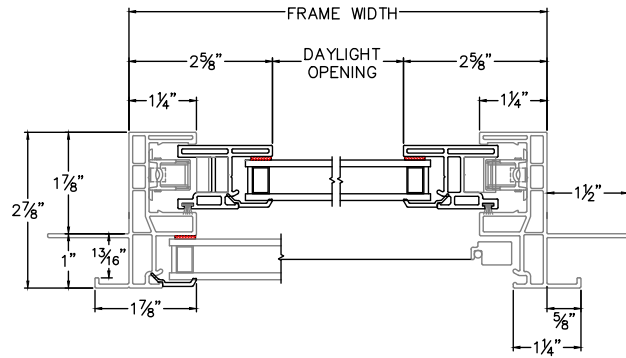
| CAD File Scale | View | File Name | Units |
|----------------|-----------------------|------------|-------|
| NTS | Horizontal & Vertical | 6230J-01SH | Inch |

More Technical Documents can be found at milgard.com/professionals
Due to continual research and development, details may be changed at any time. ©2013 Milgard Mfg.



HEAD & SILL

SINGLE HUNG SERIES 6230J



JAMBS

Revit, SketchUp, .PDF and .DWG files can be accessed at
milgard.com/professionals/technical-resources

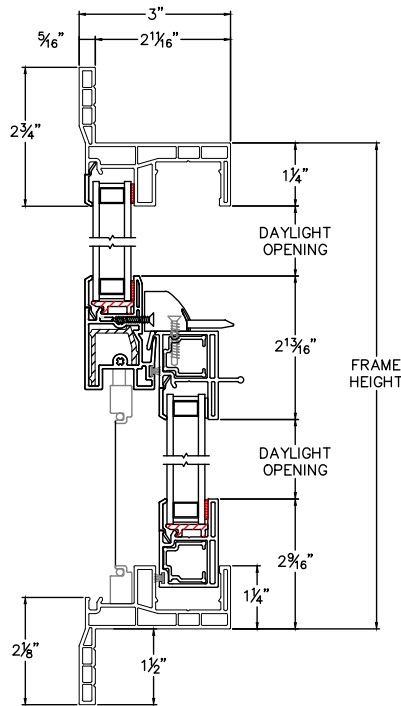
[Go back to Quick Links](#)

Single Hung Window

1-1/2" Contour Z-bar

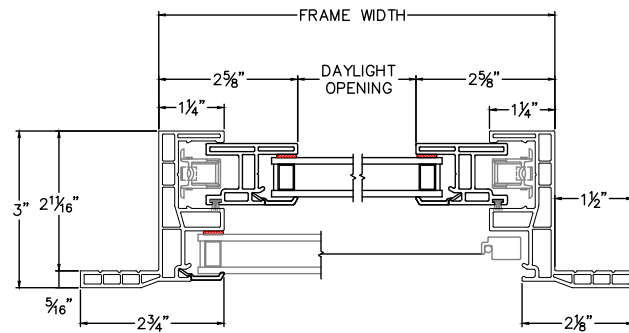
| CAD File Scale | View | File Name | Units |
|----------------|-----------------------|-----------|-------|
| NTS | Horizontal & Vertical | 6270-01SH | Inch |

More Technical Documents can be found at milgard.com/professionals
Due to continual research and development, details may be changed at any time. ©2013 Milgard Mfg.



HEAD & SILL

SINGLE HUNG SERIES 6270



JAMBS

Revit, SketchUp, .PDF and .DWG files can be accessed at
milgard.com/professionals/technical-resources

[Go back to Quick Links](#)

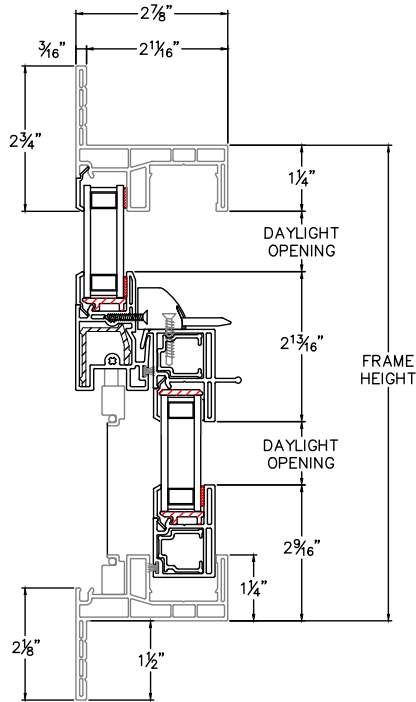
Single Hung Window

1-1/2" Flat Z-bar

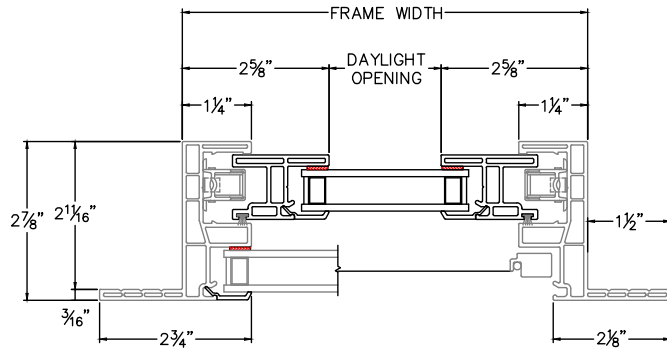
| CAD File Scale | View | File Name | Units |
|----------------|-----------------------|-----------|-------|
| NTS | Horizontal & Vertical | 6270-02SH | Inch |

More Technical Documents can be found at milgard.com/professionals
Due to continual research and development, details may be changed at any time. ©2013 Milgard Mfg.

SINGLE HUNG SERIES 6270



HEAD & SILL



JAMBS

Revit, SketchUp, .PDF and .DWG files can be accessed at milgard.com/professionals/technical-resources

[Go back to Quick Links](#)

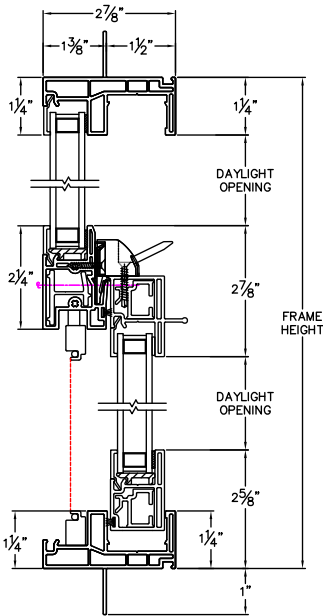
Single Hung Window

Double Single Hung - 1-3/8" Fin Setback

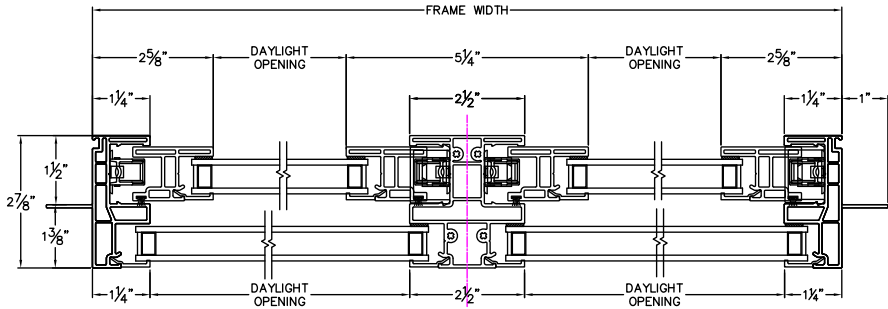
| CAD File Scale | View | File Name | Units |
|----------------|-----------------------|----------------------------|-------|
| NTS | Horizontal & Vertical | StyleLine 6210 DSH 1.375in | Inch |

More Technical Documents can be found at milgard.com/professionals
Due to continual research and development, details may be changed at any time. ©2013 Milgard Mfg.

SINGLE HUNG SERIES 6210



HEAD & SILL



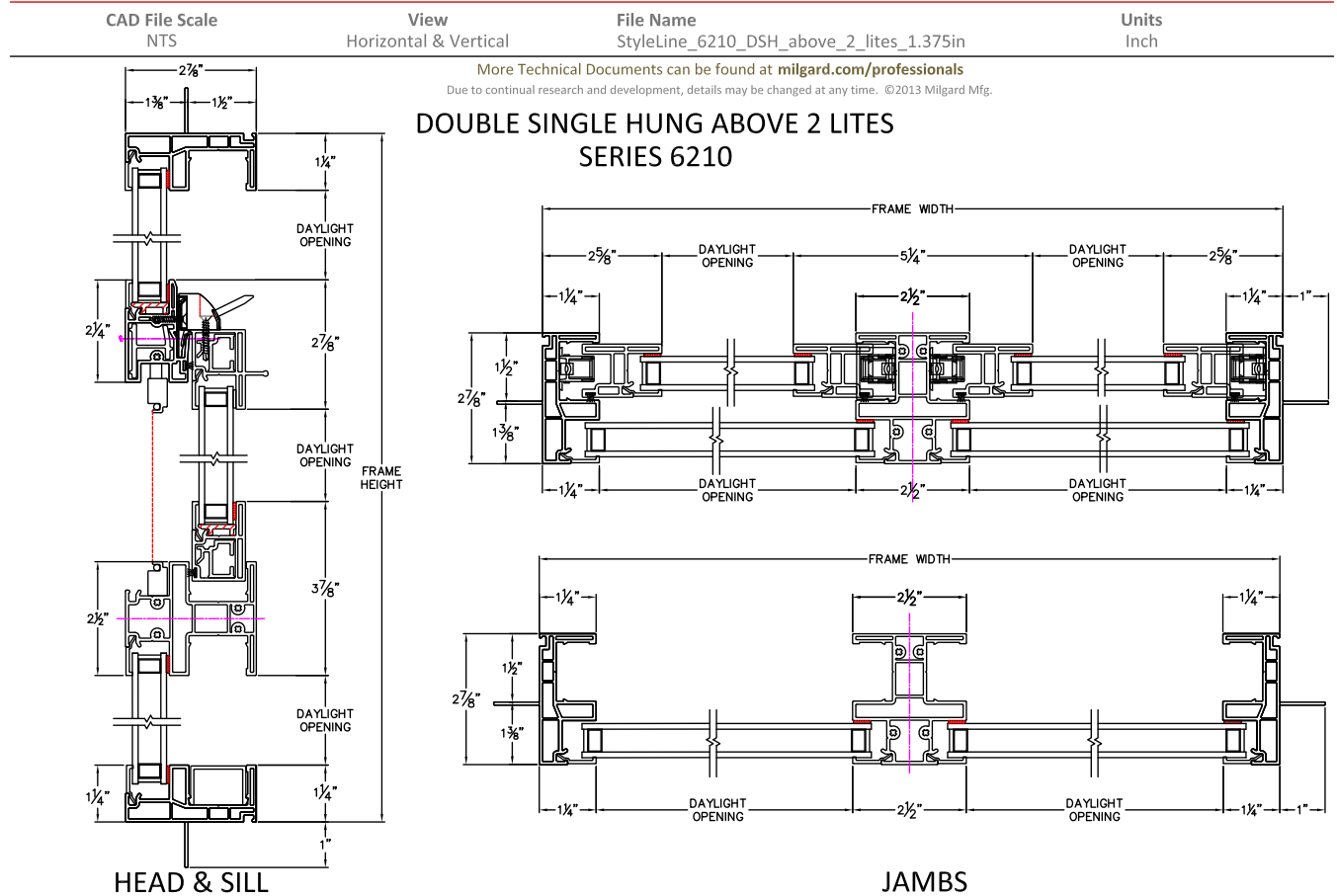
JAMBS

Revit, SketchUp, .PDF and .DWG files can be accessed at milgard.com/professionals/technical-resources

[Go back to Quick Links](#)

Single Hung Window

Double Single Hung above 2 Lites - 1-3/8" Fin Setback

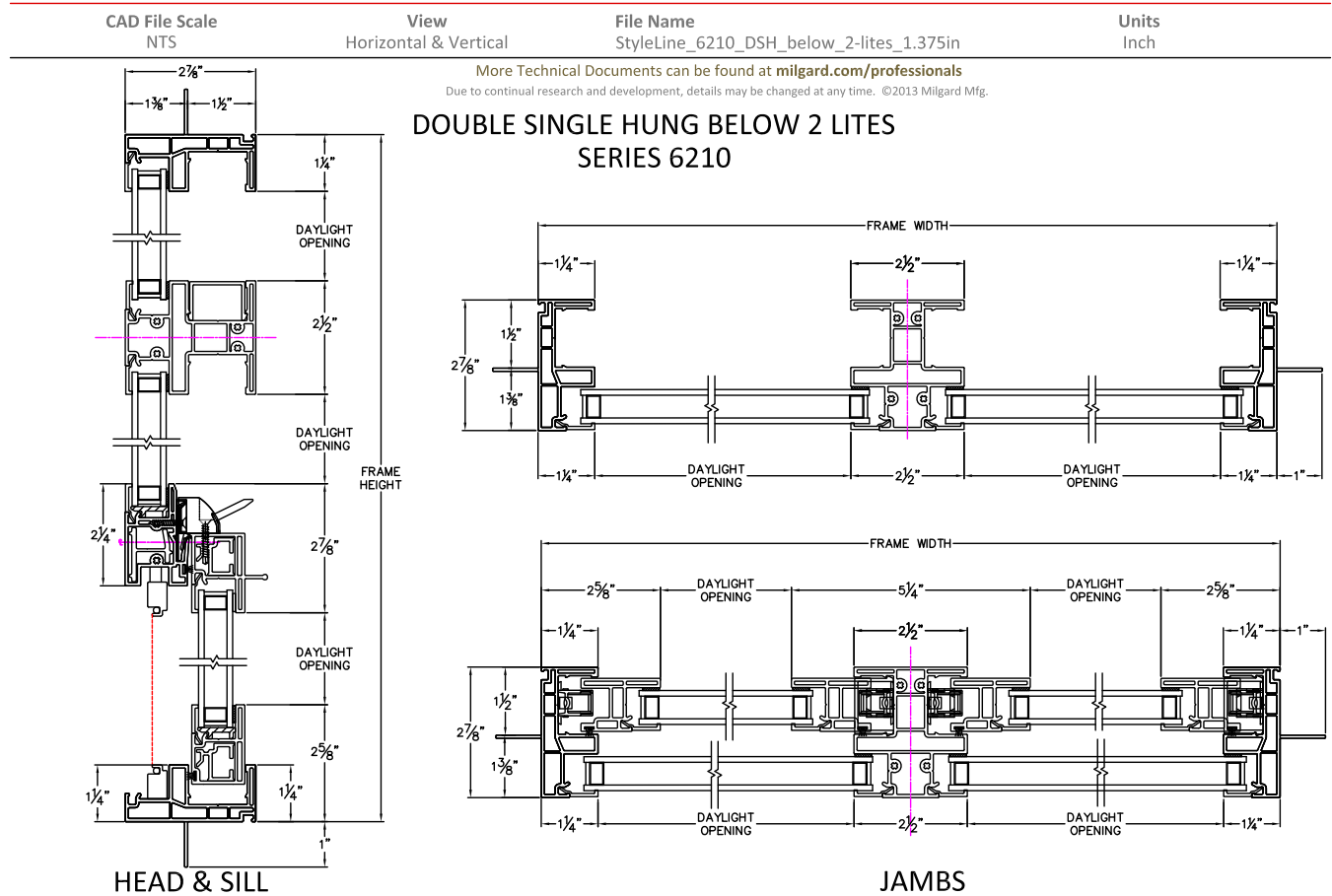


Revit, SketchUp, .PDF and .DWG files can be accessed at milgard.com/professionals/technical-resources

Go back to Quick Links

Single Hung Window

Double Single Hung below 2 Lites - 1-3/8" Fin Setback



Revit, SketchUp, .PDF and .DWG files can be accessed at milgard.com/professionals/technical-resources

[Go back to Quick Links](#)

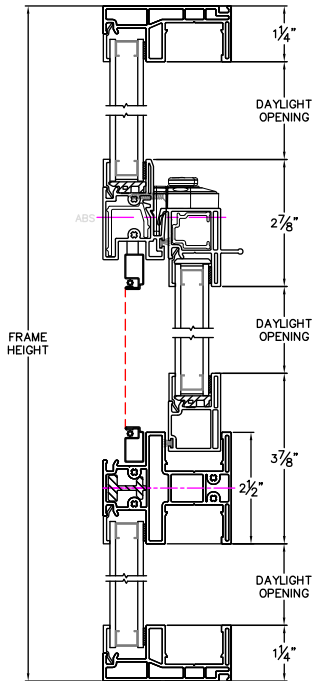
Single Hung Window

Single Hung above - Block Frame

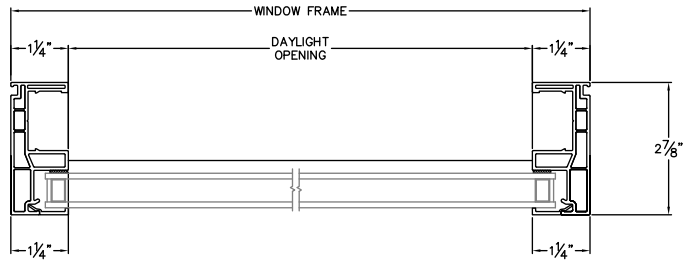
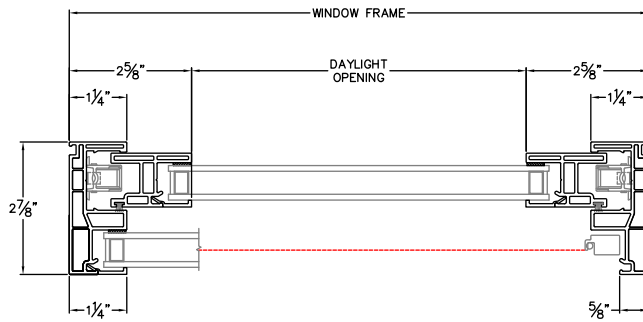
| CAD File Scale | View | File Name | Units |
|----------------|-----------------------|-----------|-------|
| NTS | Horizontal & Vertical | 6210 SHA | Inch |

More Technical Documents can be found at milgard.com/professionals
Due to continual research and development, details may be changed at any time. ©2013 Milgard Mfg.

SINGLE HUNG ABOVE SERIES 6210



HEAD & SILL



JAMBS

Revit, SketchUp, .PDF and .DWG files can be accessed at
milgard.com/professionals/technical-resources

[Go back to Quick Links](#)

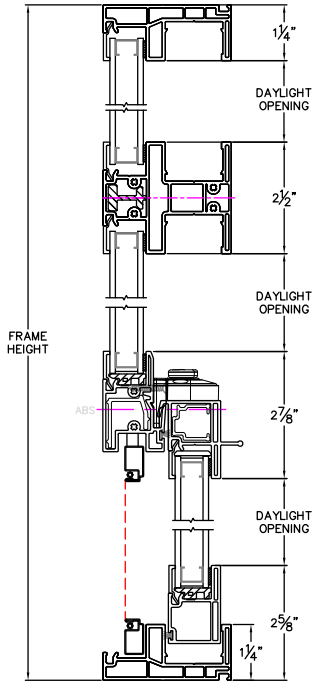
Single Hung Window

True Divide - Block Frame

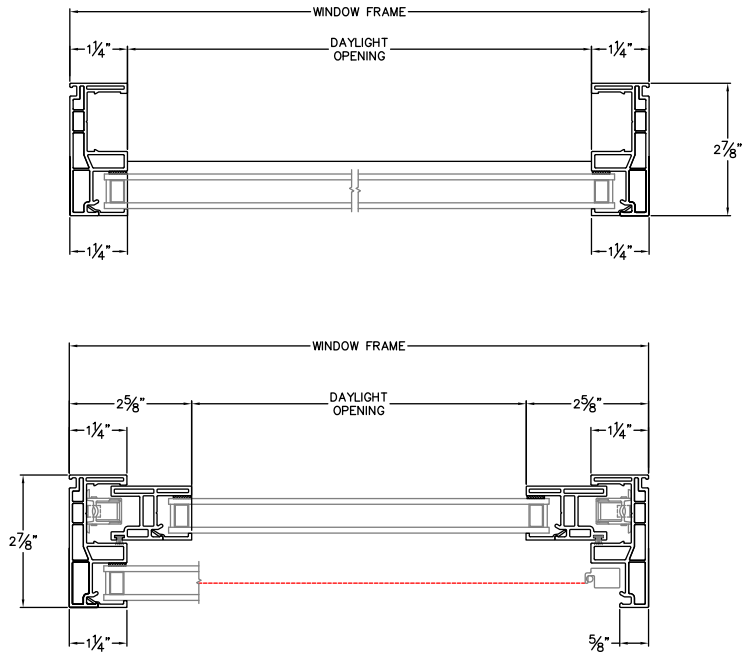
| CAD File Scale | View | File Name | Units |
|----------------|-----------------------|---------------------------|-------|
| NTS | Horizontal & Vertical | StyleLine_6210_SHTT_block | Inch |

More Technical Documents can be found at milgard.com/professionals
Due to continual research and development, details may be changed at any time. ©2013 Milgard Mfg.

SINGLE HUNG SERIES 6210



HEAD & SILL



JAMBS

Revit, SketchUp, .PDF and .DWG files can be accessed at
milgard.com/professionals/technical-resources

[Go back to Quick Links](#)

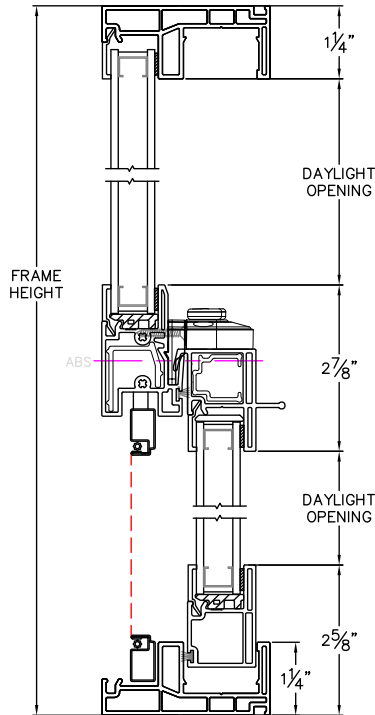
Single Hung Window

Triple Single Hung - Block Frame

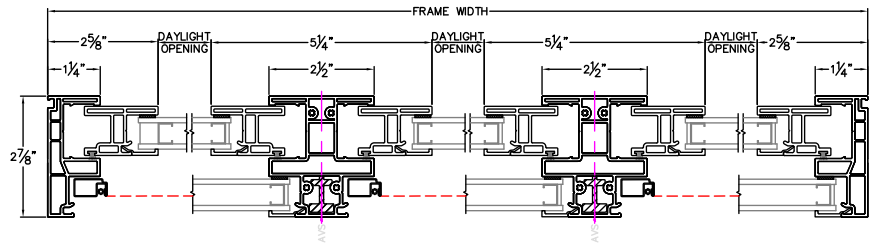
| CAD File Scale | View | File Name | Units |
|----------------|-----------------------|--------------------------|-------|
| NTS | Horizontal & Vertical | StyleLine_6210_TSH_block | Inch |

More Technical Documents can be found at milgard.com/professionals
Due to continual research and development, details may be changed at any time. ©2013 Milgard Mfg.

SINGLE HUNG SERIES 6210



HEAD & SILL



JAMBS

Revit, SketchUp, .PDF and .DWG files can be accessed at
milgard.com/professionals/technical-resources

[Go back to Quick Links](#)

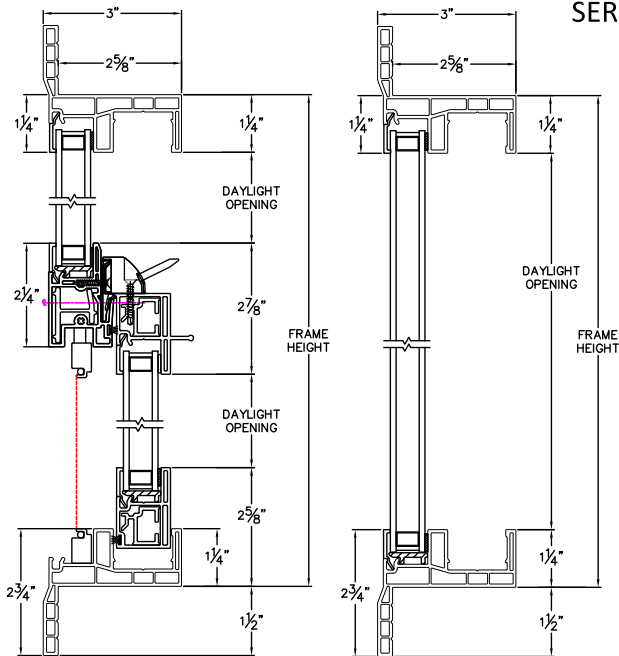
Single Hung Window

Single Single Hung - Z-bar frame

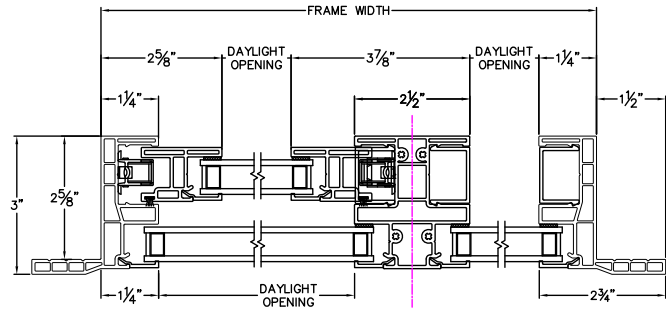
| CAD File Scale | View | File Name | Units |
|----------------|-----------------------|--------------------------|-------|
| NTS | Horizontal & Vertical | StyleLine_6270_SSH_z-bar | Inch |

More Technical Documents can be found at milgard.com/professionals
Due to continual research and development, details may be changed at any time. ©2013 Milgard Mfg.

SINGLE HUNG SERIES 6270



HEAD & SILL



JAMBS

Revit, SketchUp, .PDF and .DWG files can be accessed at
milgard.com/professionals/technical-resources

[Go back to Quick Links](#)